

Maintenance Manual

**Instandhaltungsanleitung
Manuel d'entretien
Istruzioni per la manutenzione**



Table of Contents

Information	2
Safety	3
Target group.....	3
Safety notes	3
Product description	4
Structure.....	4
Function	5
Repair	6
Troubleshooting	6
Replacing the power supply unit.....	8
Restoring the plug connection.....	9
Replacing the cistern lid.....	9
Positioning the servo lever	10
Re-referencing the position of the servo lever	10
Reducing the flush volume.....	10
Replacing the flush valve	11
Replacing the flat gasket for flush valve	12
Replacing the operating part for fill valve.....	12

Safety

Target group

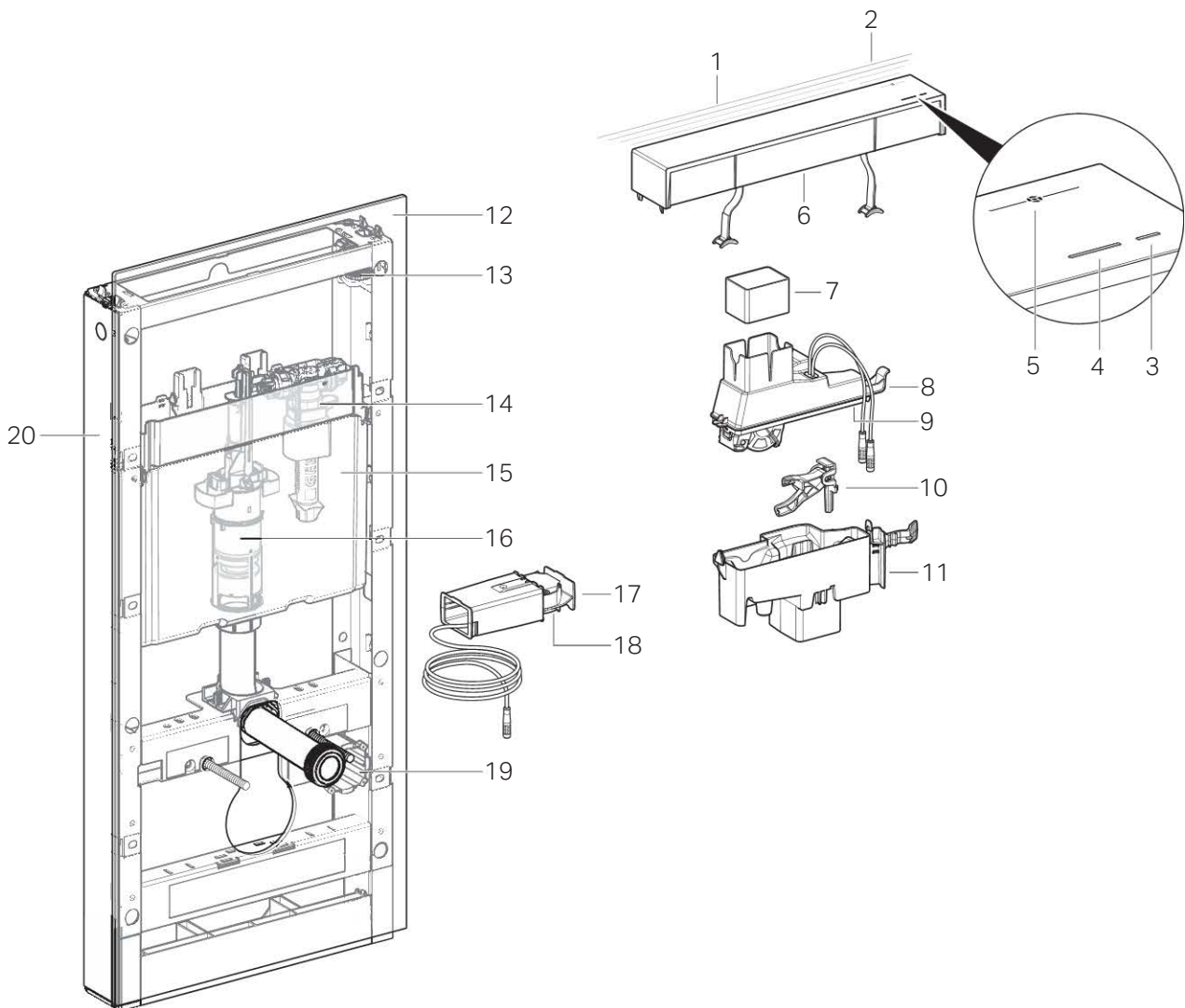
Maintenance and repair work on this product may only be performed by skilled persons.

Safety notes

- Only use original spare parts when making repairs
- Do not modify the product or add any additional modules

Product description

Structure

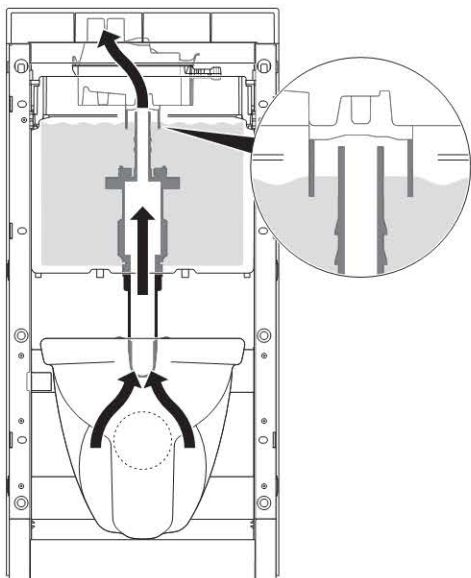


- 1 Orientation light
- 2 Odour extraction unit indicator light
- 3 <Small flush volume> button
- 4 <Large flush volume> button
- 5 <Odour extraction> button
- 6 Cistern lid
- 7 Ceramic honeycomb filter
- 8 Upper part of odour extraction unit
- 9 Servo lever
- 10 Actuator lever
- 11 Lower part of odour extraction unit
- 12 Front cladding made of glass
- 13 Angle stop valve
- 14 Fill valve
- 15 Cistern
- 16 Flush valve
- 17 Power supply unit
- 18 Power supply unit LED
- 19 Outlet mounting box
- 20 Side part

Function

The sanitary module is equipped with user detection, an odour extraction unit and an orientation light. Soft-touch buttons are integrated in the cistern lid and can be used to release a large or small flush or activate the odour extraction unit.

The integrated odour extraction unit neutralises unpleasant odours from the WC ceramic appliance.



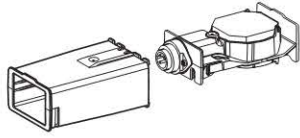
Troubleshooting

Fault	Cause	Rectification
No function and LED on power supply unit does not light up	Fuse on electrical distributor of home has tripped	▶ Restore the power supply
	Power supply unit is defective	▶ Replace the power supply unit
No function and LED on power supply unit is lit	Plug connection between power supply unit and cistern lid is not inserted	▶ Restore plug connection
	Control unit is defective	▶ Replace cistern lid
No flush after flushing process is actuated	Actuator lever missing or not hooked in	▶ Hook in actuator lever
	Servo lever is positioned incorrectly	▶ Position servo lever
	No water in the cistern	▶ Open water supply valve and check function of fill valve
	Float valve in fill valve is clogged	▶ Replace seals or fill valve
	Control unit is defective	▶ Replace cistern lid
Odour extraction unit not functioning	Odour extraction unit is set to <Switch on with button>	▶ Change settings (see user manual)
	Fan is defective (odour extraction unit indicator light and flush actuation functioning)	▶ Replace upper part of odour extraction unit
	Control unit is defective	▶ Replace cistern lid
Odour extraction is too long or too short	Extraction duration of odour extraction unit does not correspond to customer requirement	▶ Change settings (see user manual)
Odour extraction is weak or inefficient	Ceramic honeycomb filter is not inserted	▶ Insert ceramic honeycomb filter (see user manual)
	Ceramic honeycomb filter is worn out	▶ Replace ceramic honeycomb filter (see user manual)
	Not enough water in the cistern	▶ Set water level via the fill valve
Odour extraction unit is making disruptive whistling noise	Stall ring in flush valve is defective	▶ Replace flush valve
	Geometry of WC ceramic appliance is unsuitable	▶ Contact customer service
Orientation light does not light up	Orientation light setting is at <Off>	▶ Change settings (see user manual)
	Control unit is defective	▶ Replace cistern lid
Odour extraction unit indicator light does not light up	Control unit is defective	▶ Replace cistern lid
Cistern is not filling up	Angle stop valve is closed	▶ Open the angle stop valve
	Water collecting tray and float at fill valve are jammed	▶ Move water collecting tray and float up and down
	Membrane is dirty	▶ Remove and clean fill valve ▶ Replace the fill valve set of seals ▶ Replace the fill valve

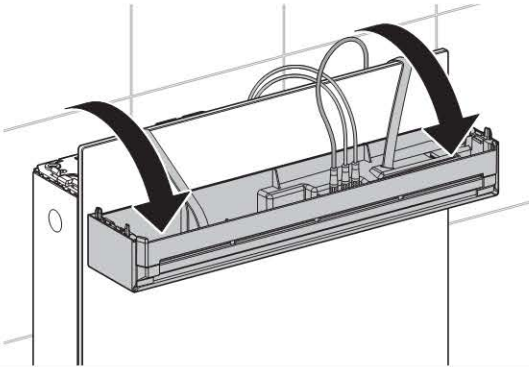
Fault	Cause	Rectification
Flush volume is too low	Water level in cistern is too low	▶ Set water level via the fill valve
	Servo lever is not in the basic position	▶ Re-reference the position of the servo lever
Water running for a long time	Geometry of WC ceramic appliance is unsuitable	▶ Repair not possible
Water is running continuously into the WC ceramic appliance	Water level in cistern is too high; the water is flowing into the WC via the overflow pipe	▶ Set water level via the fill valve
	Seal at flush valve is leaky	▶ Replace the flat gasket for flush valve
	Seal at basket is leaky	▶ Replace section seal for basket or basket
	Seal seat of basket is damaged or dirty	▶ Replace basket
	Fill valve is leaky	▶ Replace seals or fill valve
	Water collecting tray and float at fill valve are jammed	▶ Free up water collecting tray and float
	Regulation spindle at fill valve has unhinged	▶ Hook in regulation spindle

Replacing the power supply unit

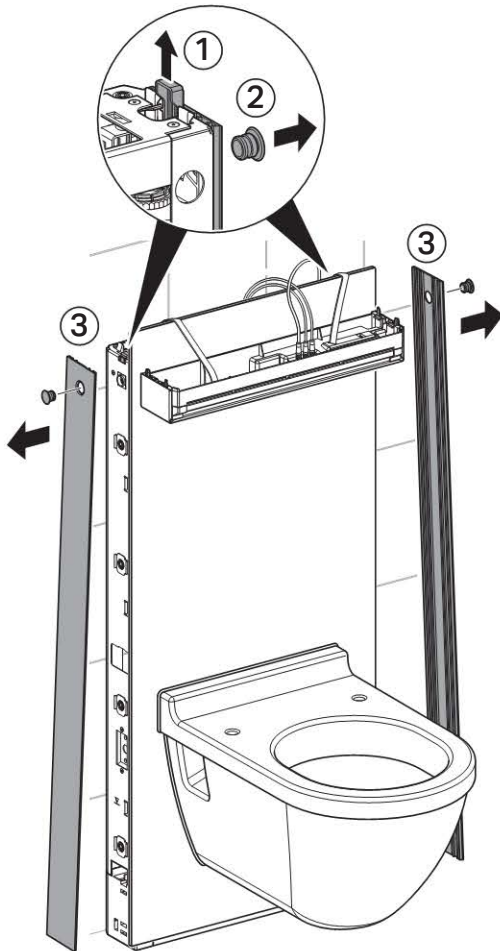
Prerequisites



1 Hold the cistern lid with both hands, lift it up and fold it toward the front.

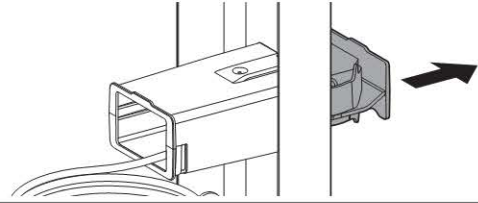


2 Remove the side parts.

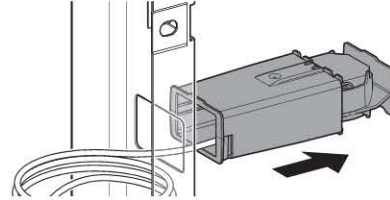


i The power supply unit will either be on the right- or left-hand side of the frame, depending on the installation situation.

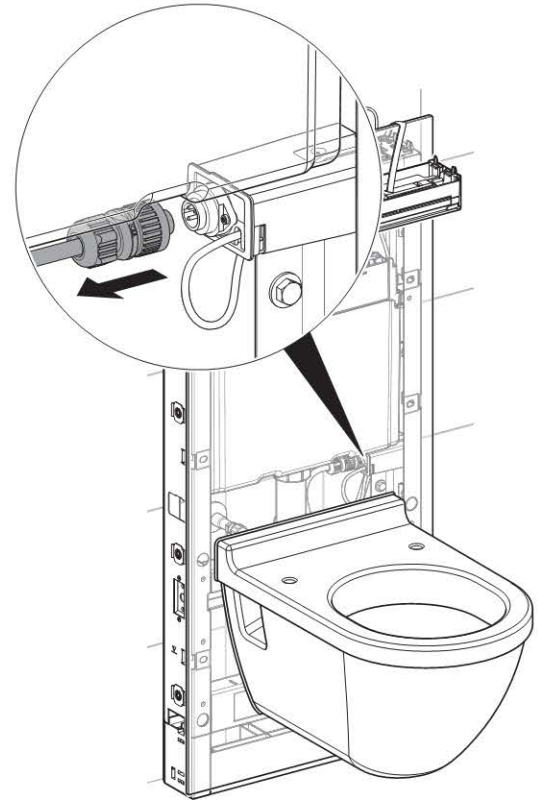
3 Pull out the power supply unit retainer.



4 Remove the power supply unit.



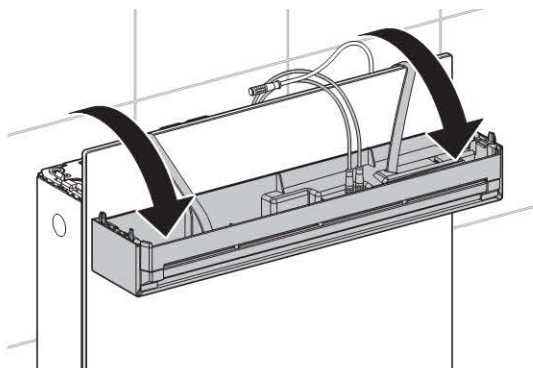
5 Remove the mains cable from the power supply unit.



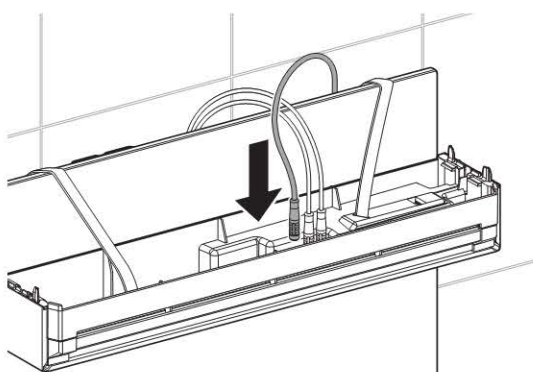
6 Replace the power supply unit.

Restoring the plug connection

- 1** Hold the cistern lid with both hands, lift it up and fold it toward the front.

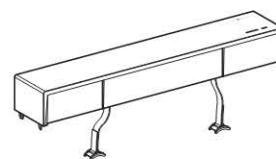


- 2** Restore the plug connection.

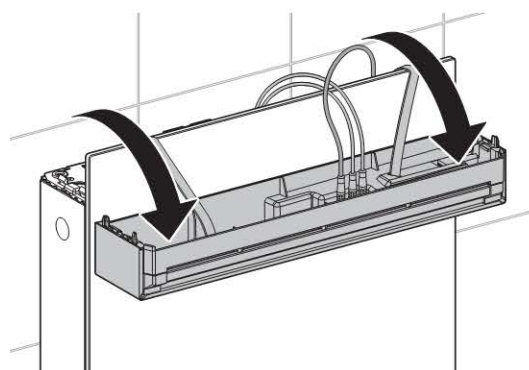


Replacing the cistern lid

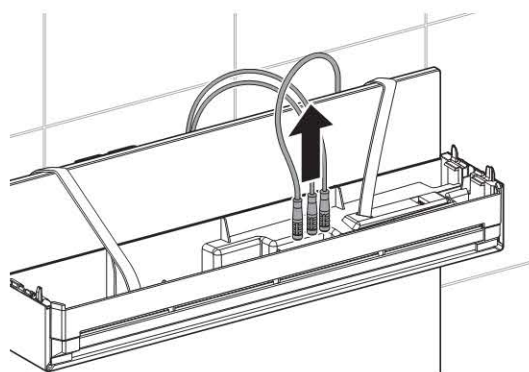
Prerequisites



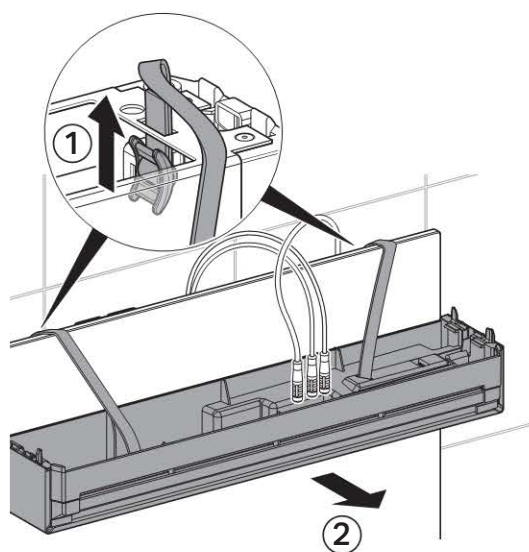
- 1** Hold the cistern lid with both hands, lift it up and fold it toward the front.



- 2** Disconnect the plug connections.



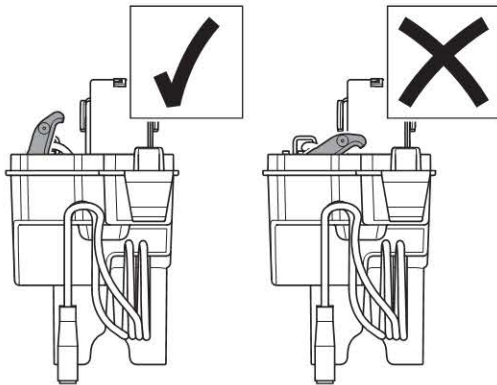
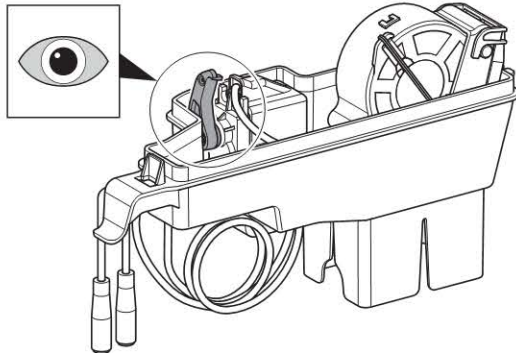
- 3** Loosen the lid retainers at the frame and replace the cistern lid.



Positioning the servo lever

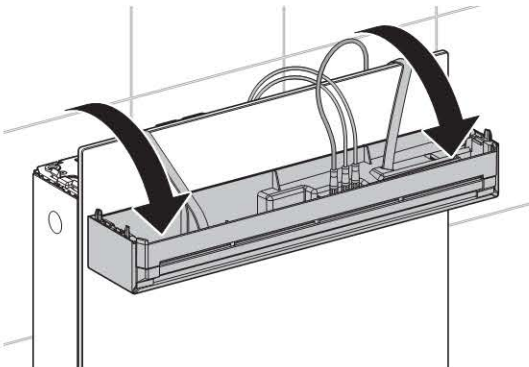
1 Remove the upper part of the odour extraction unit.

2 Move the servo lever to the basic position.

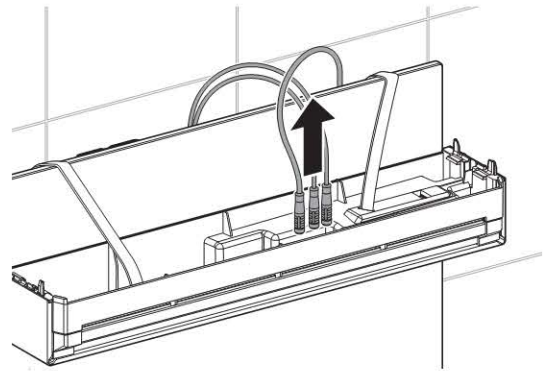


Re-referencing the position of the servo lever

1 Hold the cistern lid with both hands, lift it up and fold it toward the front.



2 Disconnect the plug connections.



3 Wait at least 3 minutes.



4 Re-establish the plug connections.

5 Close the cistern lid.

6 Press the <Large flush volume> button.

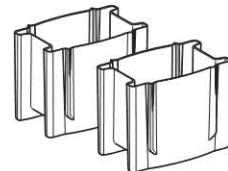
Result

A large flush is actuated and the position of the servo lever is re-referenced in the process.

Reducing the flush volume

The large flush volume can be reduced to 4.5 l using a cup.

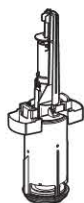
Prerequisites



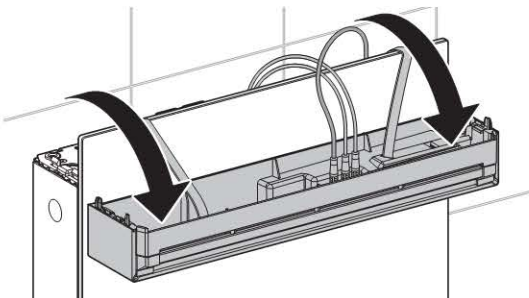
► For installation, see the installation manual included with the spare part.

Replacing the flush valve

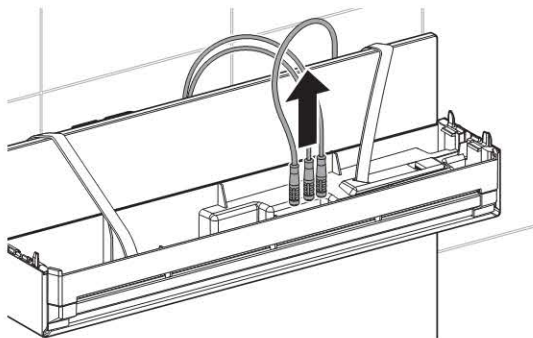
Prerequisites



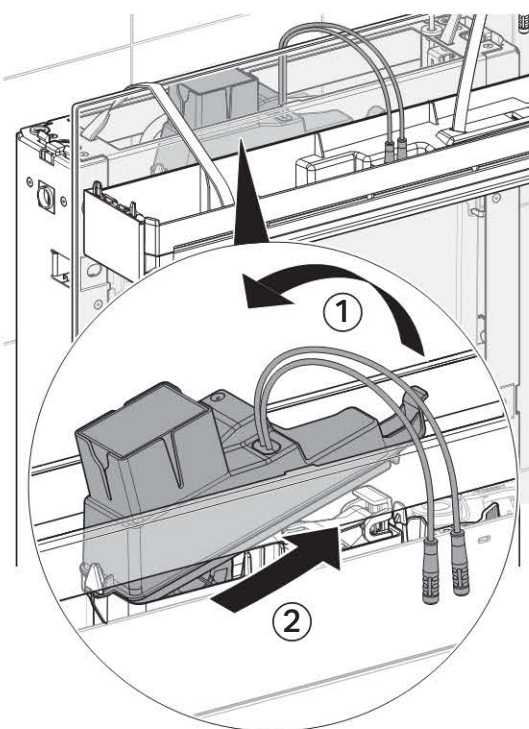
- 1** Hold the cistern lid with both hands, lift it up and fold it toward the front.



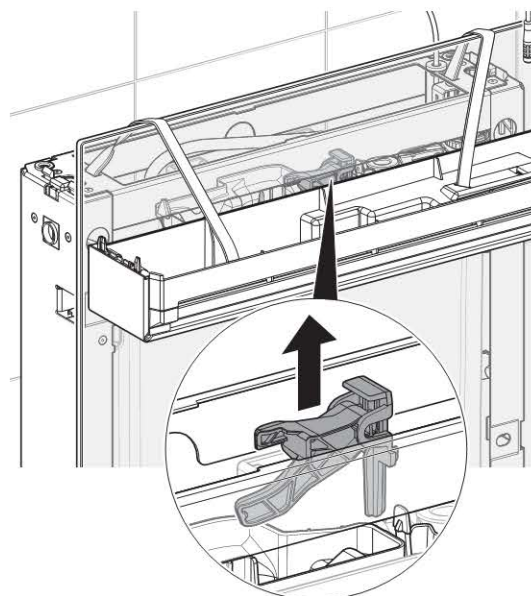
- 2** Disconnect the plug connections.



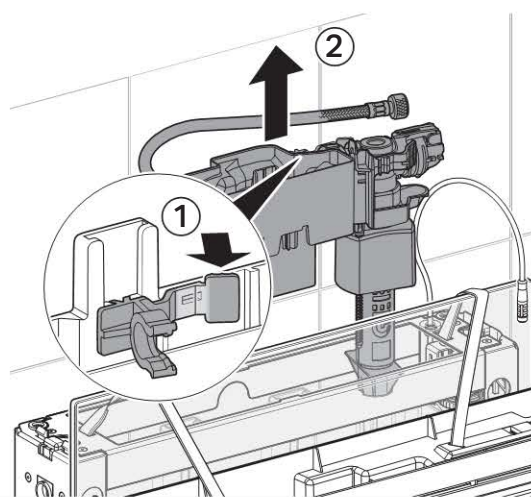
- 3** Remove the upper part of the odour extraction unit.



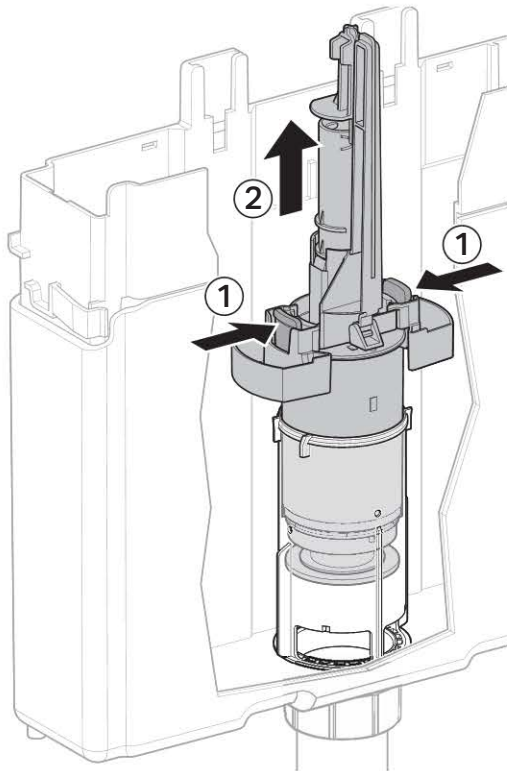
- 4** Remove the actuator lever.



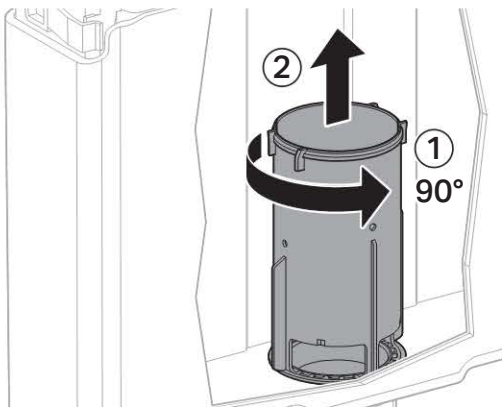
- 5** Loosen and remove the lower part of the odour extraction unit together with the fill valve.



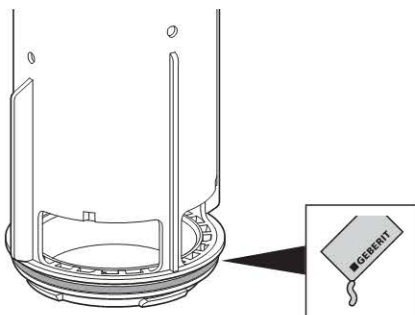
- 6** Remove the flush valve.



7 Remove the basket.



8 Lubricate the section seal for basket.



9 Replace the flush valve.

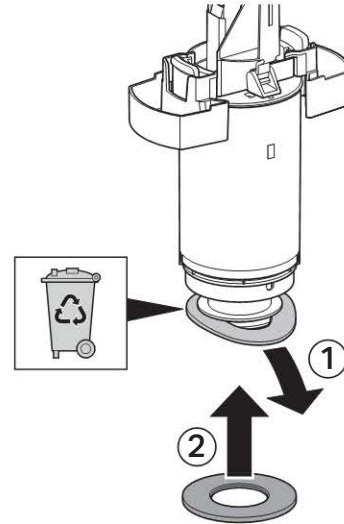
Replacing the flat gasket for flush valve

Prerequisites



Flush valve removed.

1 Remove and replace the old flat gasket for flush valve.



Replacing the operating part for fill valve

Prerequisites



Fill valve removed.

► For installation, see the installation manual included with the spare part.

Geberit International AG, Schachenstrasse 77, CH-8645 Jona
 T +41 55 221 63 00
 F +41 55 221 63 16
 documentation@geberit.com
 → www.geberit.com