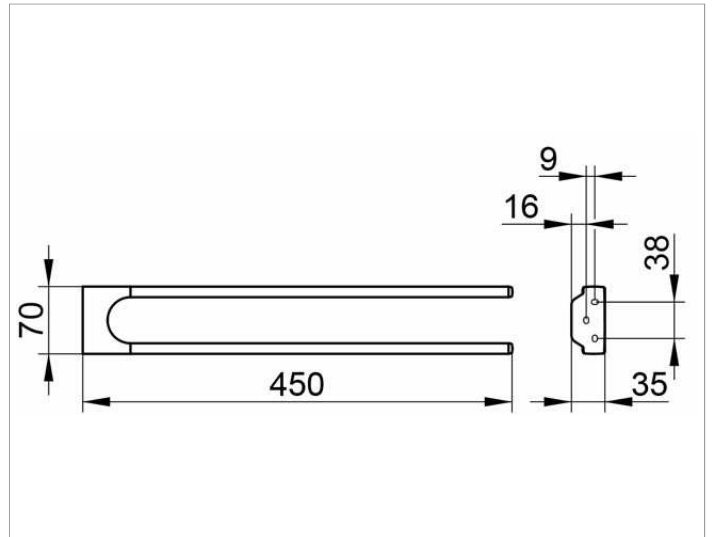


Collection Moll
1271801000 Towel holder

PRODUCT



DRAWING



PRODUCT ATTRIBUTES

fixed

SURFACE

chrome-plated

DIMENSION

450 mm

SPECIFICATIONS

KEUCO COLLECTION MOLL towel holder 1271801000

Chrome-plated towel holder in an esthetic design with slightly rounded edges

Two parallel arranged fixed arms

Anti-static, easy to clean,

Projection: 450 mm

The towel holder is fitted with two hidden fixing points
incl. corrosion-free mounting material