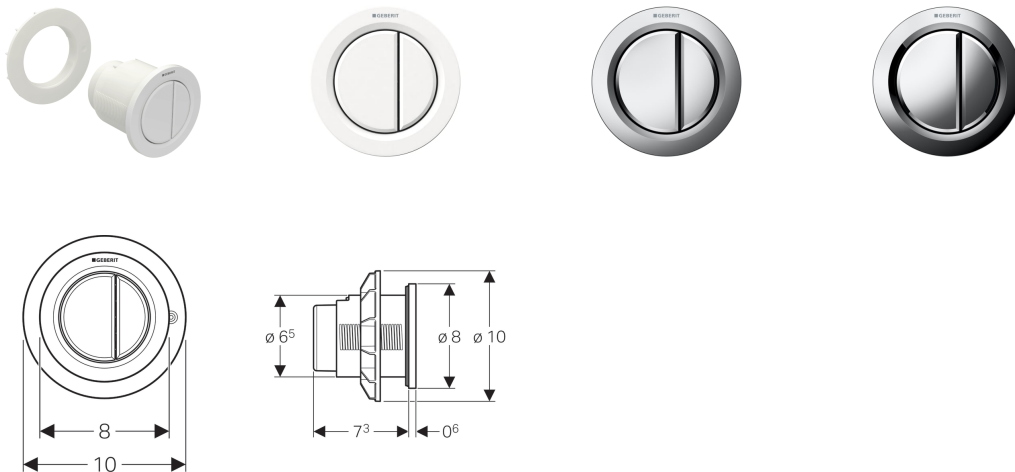


Geberit remote flush actuation type 01, pneumatic, for dual flush, furniture actuator



Application purposes

- For pneumatic remote flush actuation of Geberit exposed and concealed cisterns
- For pneumatic remote flush actuation of Geberit cisterns for low-height furniture
- For releasing a dual flush
- For Geberit Delta concealed cisterns 12 cm
- For Geberit Sigma concealed cisterns 12 cm
- For Geberit Omega concealed cisterns 12 cm
- For Geberit Kappa concealed cisterns 15 cm
- For bathroom furniture

Characteristics

- Round design
- Can be combined with Geberit flush plates for single flush and stop-and-go flush or Geberit cover plate

Technical data

Actuation force | < 25 N

Scope of delivery

- Actuator
- Pneumatic flushing device
- Pneumatic hose, length 2 m
- Fastening material

Art. no.	Surface / colour	Material designation
116.050.11.1	white alpine	Plastic
116.050.21.1	gloss chrome-plated	Plastic
116.050.46.1	matt chrome-plated	Plastic



- 67 mm hole required