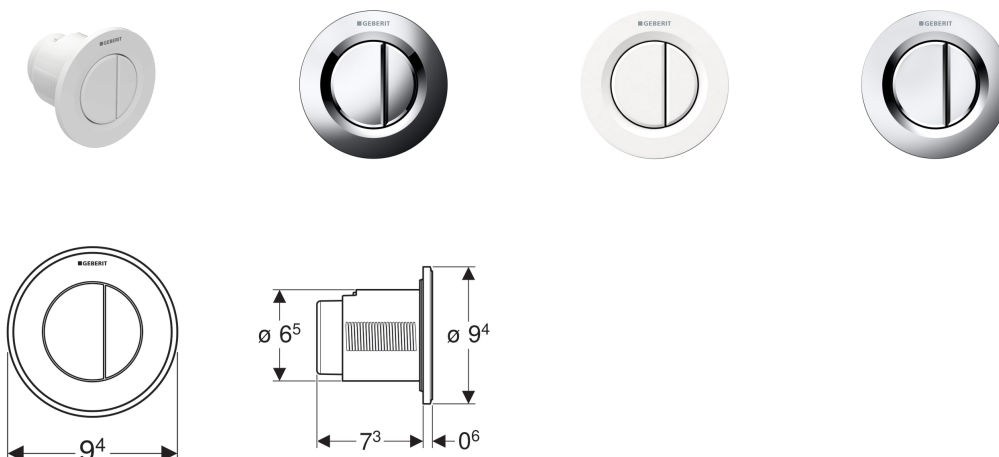


Geberit remote flush actuation type 01, pneumatic, for dual flush, concealed actuator



Application purposes

- For pneumatic remote flush actuation of Geberit exposed and concealed cisterns
- For releasing a dual flush
- For solid and drywall construction
- For concealed installation
- For Geberit Delta concealed cisterns 12 cm
- For Geberit Sigma concealed cisterns 12 cm
- For Geberit Omega concealed cisterns 12 cm
- For Geberit Kappa concealed cisterns 15 cm

Characteristics

- Round design

- Can be combined with Geberit flush plates for single flush and stop-and-go flush or Geberit cover plate

Technical data

Actuation force | < 25 N

Scope of delivery

- Actuator
- Pneumatic flushing device
- Pneumatic hose, length 2 m
- Conduit pipe, length 1.7 m
- Concealed outlet with protection cover
- Fastening material

Art. no.	Surface / colour	Material designation
116.042.11.1	white alpine	Plastic
116.042.21.1	gloss chrome-plated	Plastic
116.042.46.1	matt chrome-plated	Plastic



- 74 mm hole required