

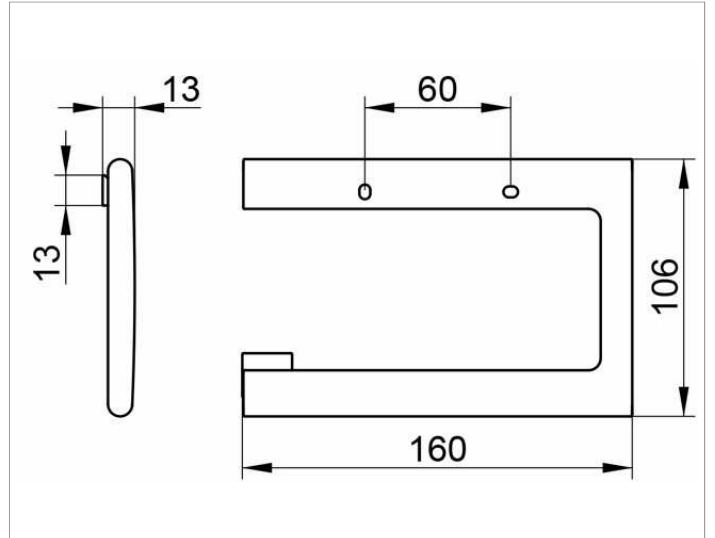
Edition 400

11562XX0000 Toilet paper holder

PRODUCT



DRAWING



PRODUCT ATTRIBUTES

open form
for 100/120 mm wide paper rolls

SURFACE

02, 04, 12