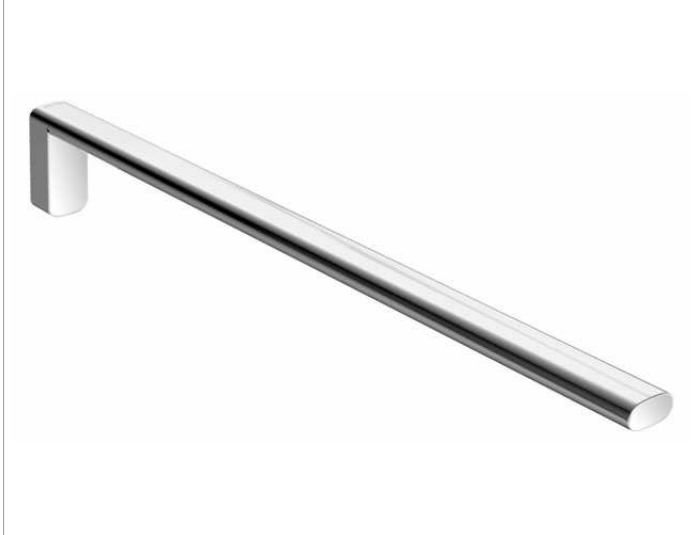
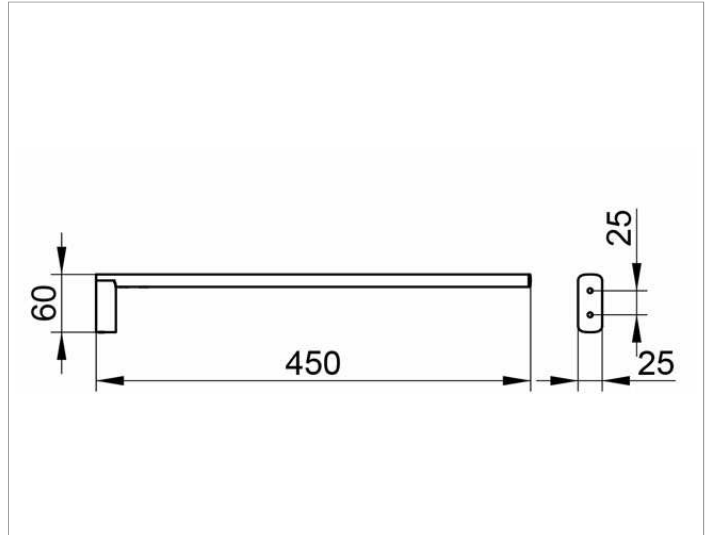


Edition 400  
11520010000 Towel holder

**PRODUCT**



**DRAWING**



**PRODUCT ATTRIBUTES**

fixed

**SURFACE**

chrome-plated

**DIMENSION**

450 mm

**SPECIFICATIONS**

KEUCO Edition 400 towel holder, 11520010000  
chrome-plated towel holder, 2 pieces,  
sculptural design,  
with slightly rounded edges,  
two side by side,  
fixed arms, made of oval tubes  
antistatic, easy to clean,  
depth 450 mm, width 25 mm, height 60 mm,  
the towel holder is fitted concealed,  
delivery included anti-corrosion fixings