

Maintenance Manual

Instandhaltungsanleitung
Manuel d'entretien
Istruzioni per la manutenzione

**KNOW
HOW**
INSTALLED

Table of Contents

Information	2
Safety	3
Target group.....	3
Safety notes	3
Explanation of symbols	3
Product description	4
Structure.....	4
Functional principle	5
Operation	6
Settings using the Geberit Service Handy.....	6
Deactivating automatic flush actuation	11
Maintenance	13
Troubleshooting	13
Cleaning the actuator plate	13
Replacing the batteries	14
Replacing the actuator plate	16
Replacing the control.....	17
Replacing the lifting device.....	19
Checking the infrared user detection.....	23

Safety

Target group




Maintenance and repair on this product may only be performed by skilled persons.

Safety notes

- Use only original spare parts when making repairs
- Do not modify the product or add any additional modules

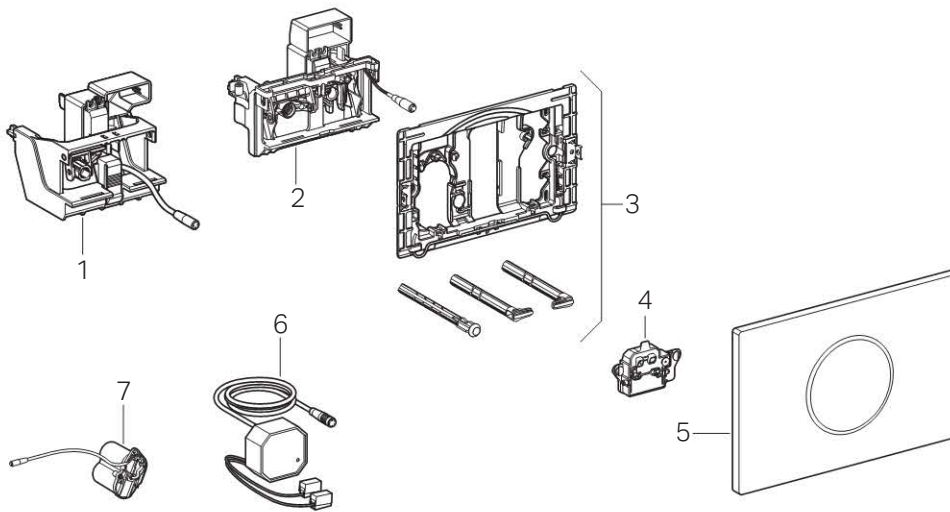
Explanation of symbols

Table 1: Symbols in the instructions

Symbol	Meaning
	Refers to important information
	Indicates that a visual check must be carried out
	Refers to correct usage

Product description

Structure



- 1 Lifting device for Geberit Sigma concealed cistern 12 cm
- 2 Lifting device for Geberit Sigma concealed cistern 8 cm
- 3 Mounting frame
- 4 Control
- 5 Geberit actuator plate Sigma10
- 6 Power supply unit
- 7 Battery compartment

Functional principle

Several IR sensors are located behind the actuator plate of the WC flush control. These sensors scan different detection ranges.

The user detection range (1) measures whether a user is sitting or standing in front of the WC flush control. If a sitting user is detected, manual flush actuation is deactivated. This prevents a flush from being inadvertently released if the user leans back during use.

If the user's hand crosses the boundary of the manual flush detection range (2), the WC flush control releases a partial or full flush. If the user's hand is held briefly in the detection range, the WC flush control releases a full flush. If the user's hand is held for an extended time in the detection range, the WC flush control releases a partial flush.

The proximity detection range (3) is active only in battery operation and is used for the purpose of energy saving. The user detection range is activated as soon as there is a change in this area.

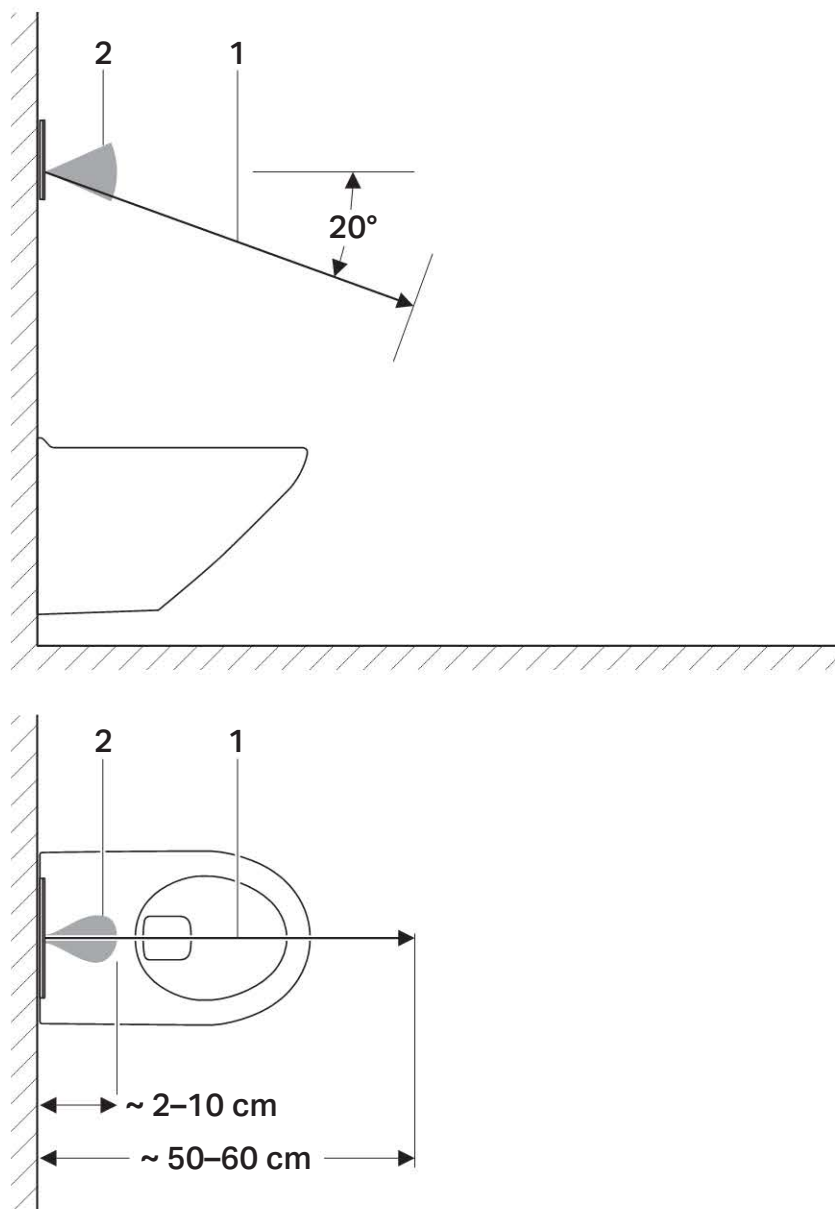


Figure 1: Detection ranges

- 1 User detection range
- 2 Manual flush detection range
- 3 Proximity detection range

Settings using the Geberit Service Handy

The infrared interface for communication with the Geberit Service Handy is located in the middle of the actuator plate. To make any settings, the Geberit Service Handy must be aimed at this area from a distance of 20 to 30 cm.



In order to be able to make settings, the Geberit Service Handy must be set to bidirectional mode.

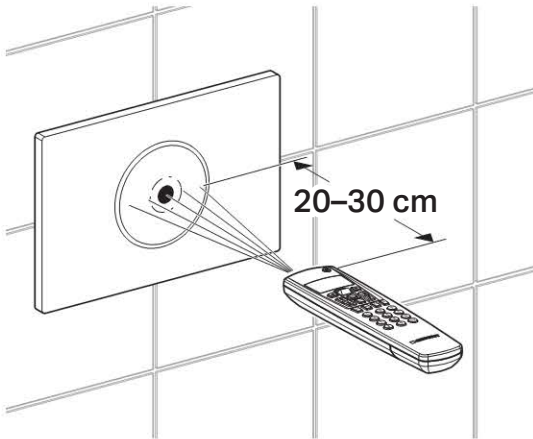


Figure 2: Operation using the Geberit Service Handy

The numbers and terms in the column "Menu item" correspond to what can be seen on the display of the Geberit Service Handy. Further information can be found in the user manual of the Geberit Service Handy. Information given in [] corresponds to the text displayed on the Geberit Service Handy display. Information given in < > refers to buttons on the Geberit Service Handy.

Table 2: Commands

Menu item [EN] [DE]	Description	Application	Adjustment range	Factory setting
20 [FullFlush] [VollMenge]	Release full flush volume. Releases a full flush	For function tests of the lifting device	Start = <OK>	–
21 [PartFlush] [TeilMenge]	Release partial flush volume. Releases a partial flush	For function tests of the lifting device	Start = <OK>	–

Menu item [EN] [DE]	Description	Application	Adjustment range	Factory setting
22 [RangeTest] [TestErfas]	<p>Check detection range. The function of the detection ranges is tested. The boundary of the detection range must be crossed in order to check its function. No flush is released in this process. The detection range is without malfunction if the LED in the sensor window lights up. The function is deactivated automatically after ten minutes.</p> <p>0 Function is deactivated 1 The sensor for the user detection range is activated. LED lights up = user has been detected 2 The sensor for the manual flush detection range is activated. LED lights up = hand has been detected 3 The sensor for the proximity detection range is activated. LED lights up = user movement in the detection range</p>	In the event of detection malfunctions	0–3 [...]	0 [0]
23 [CleanMode] [Reinigung]	<p>Activate cleaning function. The control is inactive for the interval of the value entered from menu item 42 [CleanTime] [ReiniZeit]. The function is cancelled by re-establishing connection with the Geberit Service Handy. The LED in the sensor window flashes in three-second cycles</p>	Actuator plate and WC can be cleaned without releasing a flush	Start = <OK>	–
24 [BlocFlush] [Blockiere]	<p>Block flush. No flush is released. Function is cancelled upon re-establishing connection with the Geberit Service Handy. The function is deactivated automatically after ten hours</p>	In the event of detection malfunctions	Start = <OK>	–
25 [FactorySet] [Werkeinst]	<p>Factory settings. All programs and parameters are reset to factory settings</p>	In the event of malfunctions	Start = <OK>, confirm with <R>, <OK>	–

Table 3: Programs

Menu item [EN] [DE]	Description	Application	Adjustment range	Factory setting
30 [AutFlshEn] [AutFlshEn]	Enable automatic flush. If this function is activated, the control always releases a flush when the user steps back from the WC. Manual flush actuation is no longer necessary	Hygiene	On = [ON] Off = [OFF]	[ON]
31 [ManFlshEn] [FreiManSp]	Activate manual flush	–	On = [ON] Off = [OFF]	[ON]
32 [PowOnFlsh] [NetzEinSp]	Select power-on flush. If the mains voltage is on, a flush is released by the control	<ul style="list-style-type: none"> • Releasing the central flush • Function confirmation 	On = [ON] Off = [OFF]	[OFF]
33 [PreFlush] [Vorspülng]	Select pre-flush. The control releases a partial flush when a user steps into the user detection range	Wets the WC ceramic appliance before use to reduce deposits	On = [ON] Off = [OFF]	[OFF]

Table 4: Parameters

Menu item [EN] [DE]	Description	Application	Adjustment range	Factory setting
40 [FlshTime] [Spülzeit]	Set flush time. The flush volume of the partial flush can be set. (The specified flush volumes are reference values and depend on the WC ceramic appliance)	Optimum flushing of the WC ceramic appliance	0–4 [...] 0 = 2,5 l 2 = 3,5 l 4 = 4,5 l	3,5 l [2]
41 [IntervalT] [IntervalZ]	Set interval flush – flush interval. The control automatically releases a full flush after the interval entered. The interval is restarted with every flush	<ul style="list-style-type: none"> Filling the trap for low usage frequency Flushing out standing water (to prevent stagnation) 	1–168 h [...] 0 = Off	24
42 [CleanTime] [ReiniZeit]	Set cleaning time. Defines the duration of the inactivity of the control when the menu item 23 [CleanMode] [Reinigung] is started	–	1–30 min [...]	10 min
43 [DetectRng] [ErfassDis]	Specify size of WC ceramic appliance. The size of the WC ceramic appliance is relevant for detection of seated user	–	0–1 [...] 0 = short 1 = long	1
44 [DetectT] [VerweilZ]	Set detection time. Minimum detection time a person must remain within the user detection range in order to be recognised as a standing or seated user. Only relevant if automatic flush actuation is switched on	Prevents flushes due to unintentional entry of a person into the user detection range	1–60 s [...]	7 s [7]
45 [DelayTime] [Spülverzö]	Set flush delay. After the user has left the user detection range, the set time interval elapses before a flush is released. Only relevant if automatic flush actuation is switched on	–	1–15 s [...]	3 s [3]

Table 5: Counters

Menu item [EN] [DE]	Description	Output
50 [Days?] [SumBetrT?]	Total number of days of operation. Displays the number of days of operation since commissioning	[...] days
51 [Uses?] [SumBenut?]	Total number of uses. Displays the number of uses since commissioning	[...] uses
52 [Flushes?] [SumSpül?]	Total number of flushes. Displays the number of flushes since commissioning	[...] flushes
53 [AutFlush?] [SumAutSp?]	Total number of automatic flushes. Displays the number of automatic flushes since commissioning	[...] flushes
54 [ManFlush?] [SumManSp?]	Total number of manual flushes. Displays the number of manual flushes since commissioning	[...] flushes
55 [FullFish?] [SumVoilM?]	Total number of manual full flushes. Displays the number of full flushes since commissioning	[...] flushes
56 [PartFish?] [SumTeilM?]	Total number of manual partial flushes. Displays the number of partial flushes since commissioning	[...] flushes
57 [IntFlush?] [SumIntSp?]	Total number of interval flushes. Displays the number of interval flushes since commissioning	[...] flushes
58 [PreFlush?] [SumVorSp?]	Total number of pre-flushes. Displays the number of pre-flushes since commissioning	[...] flushes

Table 6: Device information

Menu item [EN] [DE]	Description	Output
60 [SWVersion] [SWVersion]	Software version. Shows the software version of the control in the format "DWWYY" (D = day of the week, W = calendar week, Y = year), e.g. [41113]	[...]
61 [SerialNo] [Serien-Nr]	Serial number. Indicates the serial number of the control	[...]
62 [ManufDate] [ProdDatum]	Manufacturing date of the control. Indicates the manufacturing date of the control (e.g. [15122012] = 15 December 2012)	[...]

Deactivating automatic flush actuation

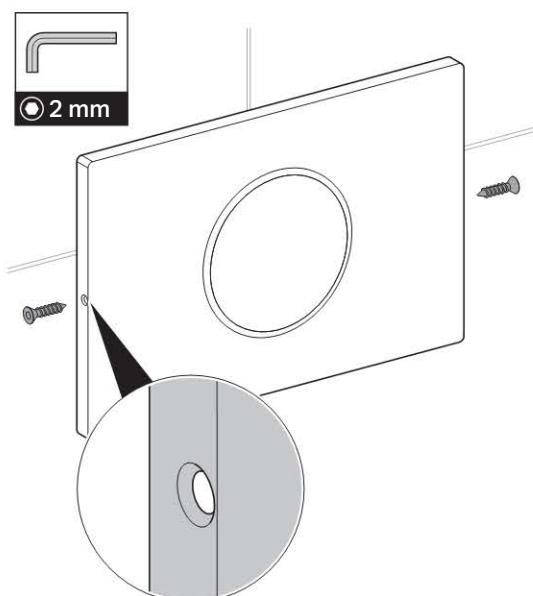
The preset automatic flush actuation can be deactivated at any time. This change can be carried out by the operator or user.

Prerequisites

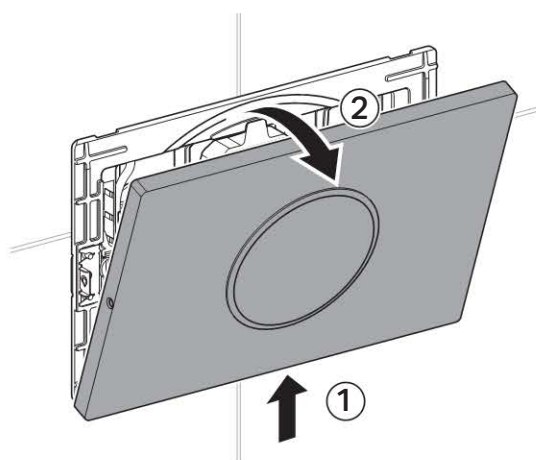
In order to interrupt the power supply, the actuator plate must be removed. A size 2 hexagon key is included for this purpose.

i The same procedure can be used to reactivate the automatic flush actuation after it has been deactivated. Successful reactivation is signalled by the sounding of five single tones.

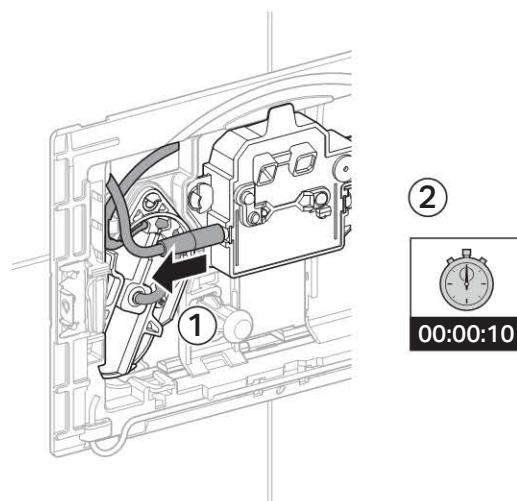
1



2

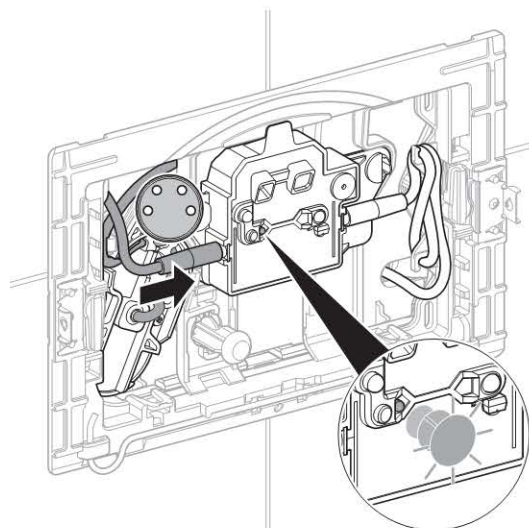


3

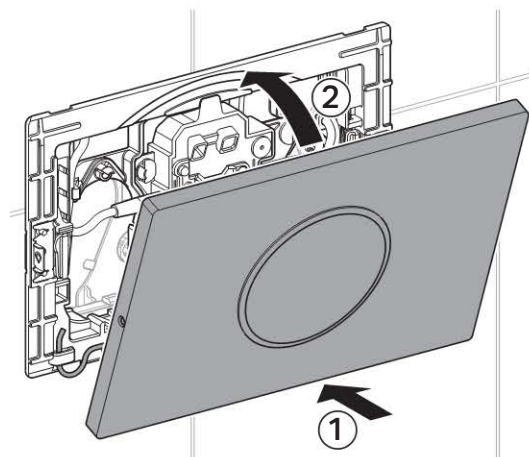


i In order to successfully change the setting, the following action steps must be carried out within 15 minutes once the power supply has been interrupted for 10 seconds.

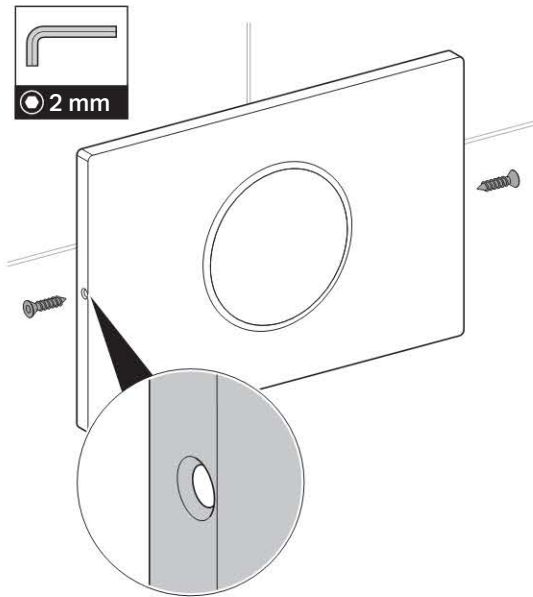
4



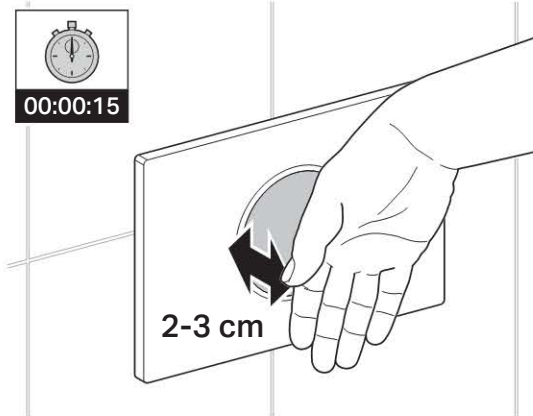
5



6



7

**Result**

After 15 seconds, successful deactivation is signalled by the sounding of five groups of three tones.

Maintenance

Troubleshooting

Malfunction	Cause	Rectification
Incorrect flushes (too soon, too late, unwanted)	The sensor window is dirty or wet	▶ Clean or dry the actuator plate
	The sensor window is scratched	▶ Replace the actuator plate
A flush is released without manual actuation when the user steps back from the WC	The automatic flush actuation is activated	▶ Deactivate automatic flush actuation
Water is running continuously into the WC ceramic appliance	Software fault	▶ Interrupt the power supply (mains fuse) for ten seconds
	The flat gasket for the flush valve is defective	▶ Replace the flat gasket for the flush valve
	The fill valve is defective	▶ Replace the fill valve
The WC ceramic appliance is not being flushed out properly	The flush volumes are set incorrectly	▶ Set the correct full flush volume on the flush valve ▶ Set the correct partial flush volume with the Geberit Service Handy
Flush cannot be released	Power failure	▶ Check the power supply (mains fuse)
The LED in the sensor window flashes when a user is in the user detection range	The battery capacity is low	▶ Replace batteries
Flush cannot be released. The LED in the sensor window lights up when a user is in the user detection range	The batteries are flat	▶ Replace batteries
Flush cannot be released and the LED in the sensor window flashes rapidly	The plug of the lifting device is not plugged in correctly	▶ Correctly plug the plug into the lifting device
	The lifting device is defective	▶ Replace the lifting device

Cleaning the actuator plate



CAUTION

Aggressive and scouring cleaning agents can damage the surface.

- ▶ Never use aggressive cleaning agents that contain chlorine or are acidic, abrasive or corrosive.
- ▶ Clean the actuator plate with mild cleaning agents and water.
- ▶ Use a soft cloth.



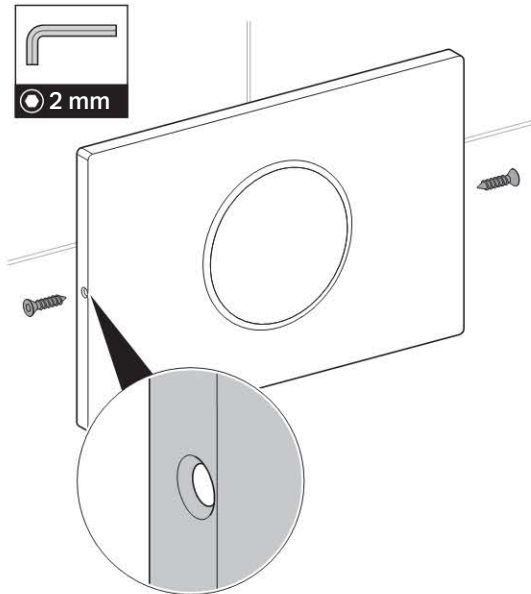
Geberit recommends the Geberit AquaClean cleaning set (article number 242.547.00.1) for cleaning the actuator plate.

Replacing the batteries

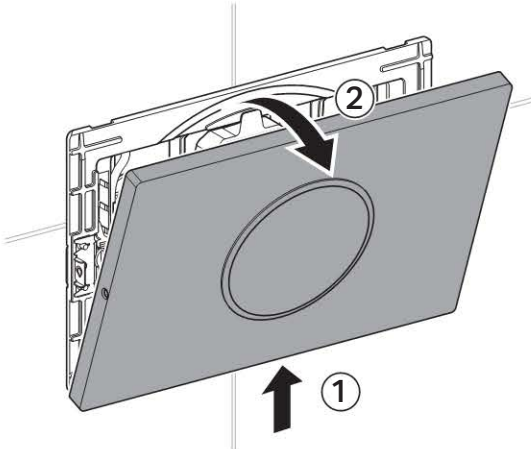
Prerequisites

Two replacement batteries (type 1.5 V Mono/D/ LR20/AM-1) are handy and the WC lid is closed.

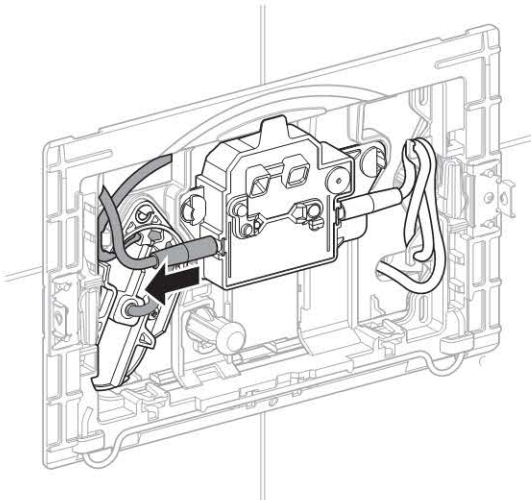
1



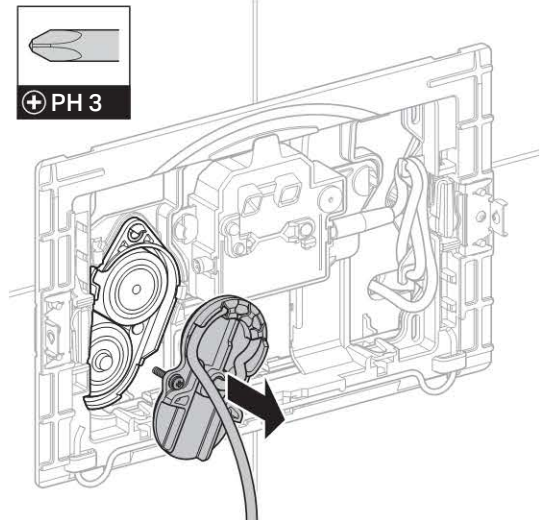
2



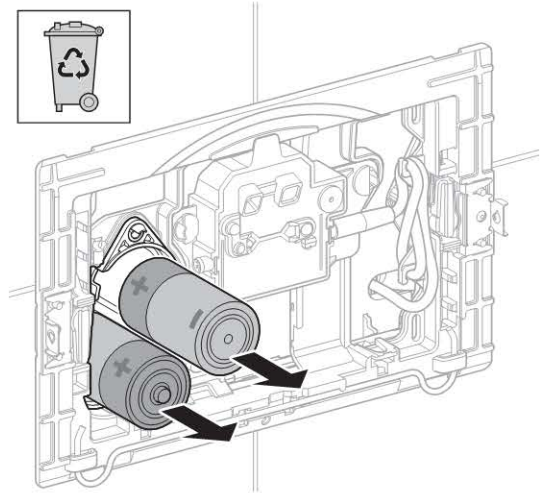
3



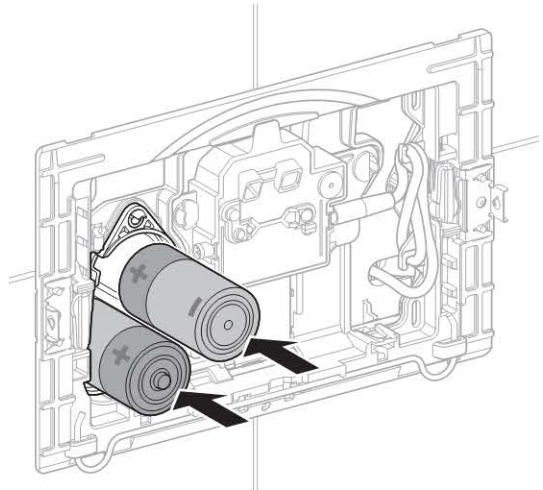
4



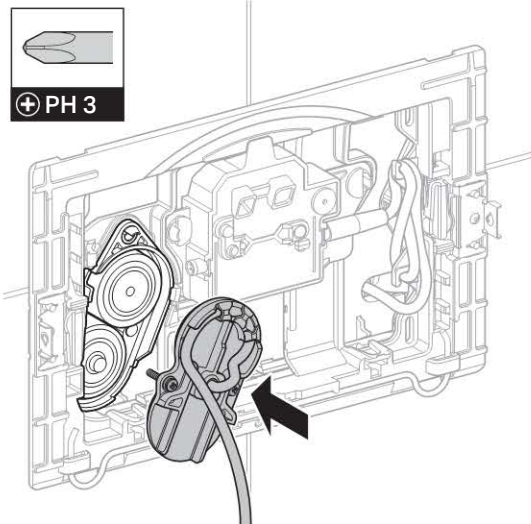
5



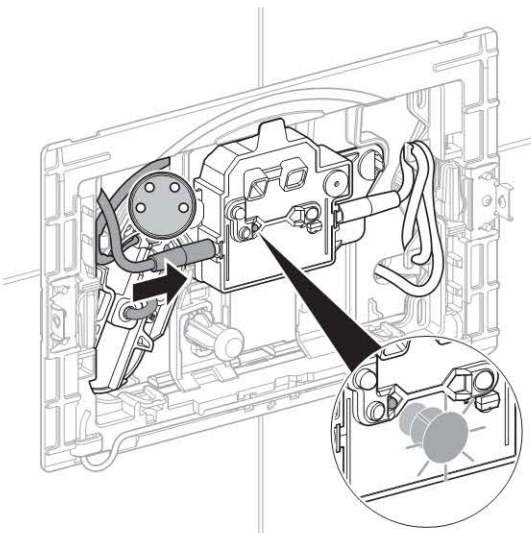
6



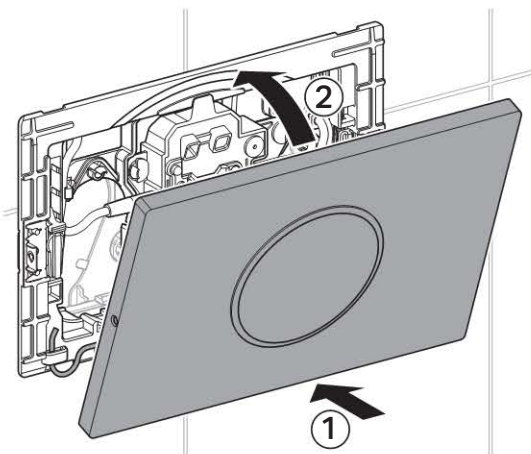
7



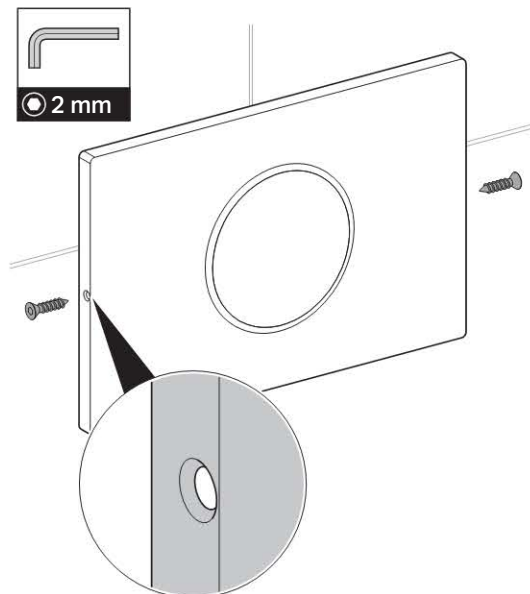
8



9

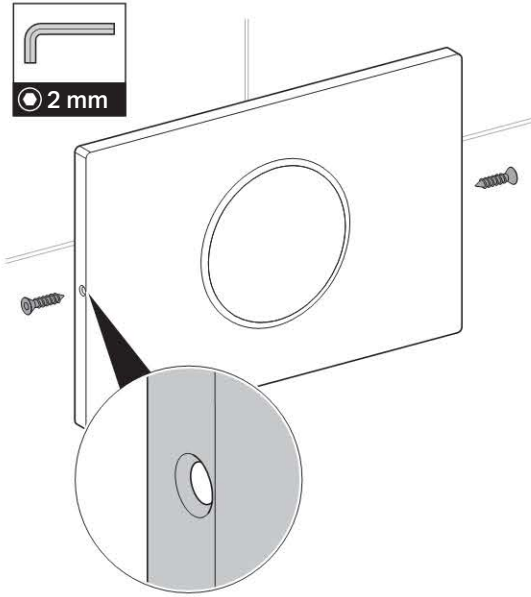


10

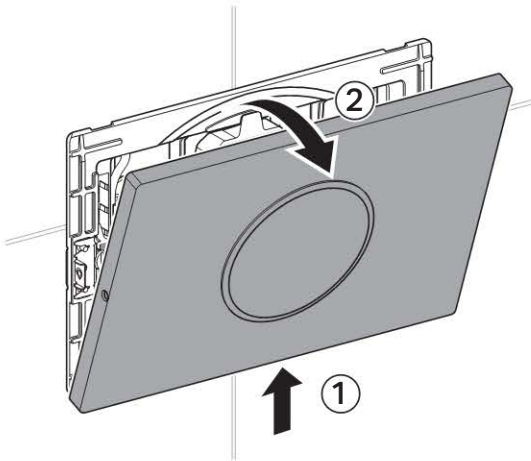


Replacing the actuator plate

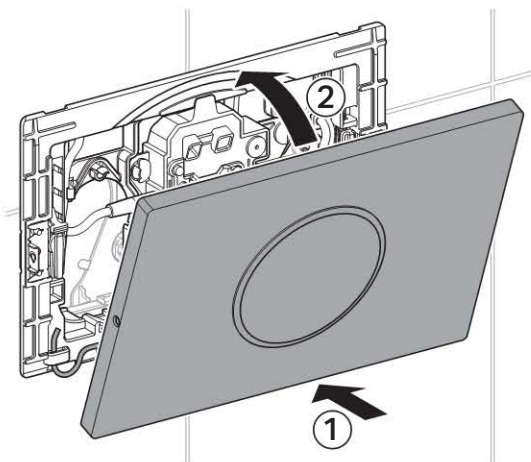
1



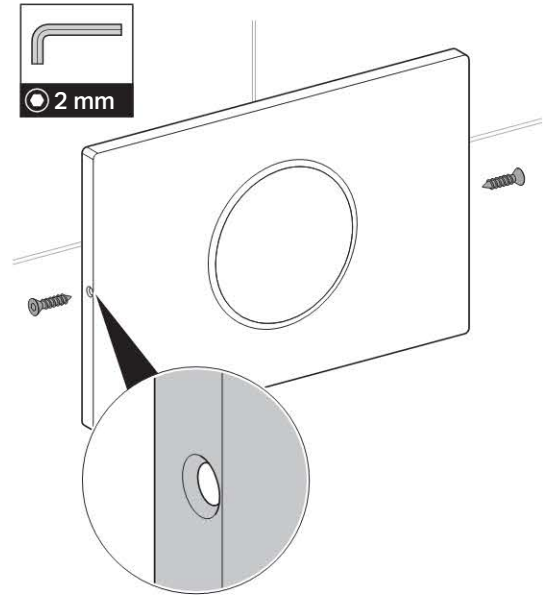
2



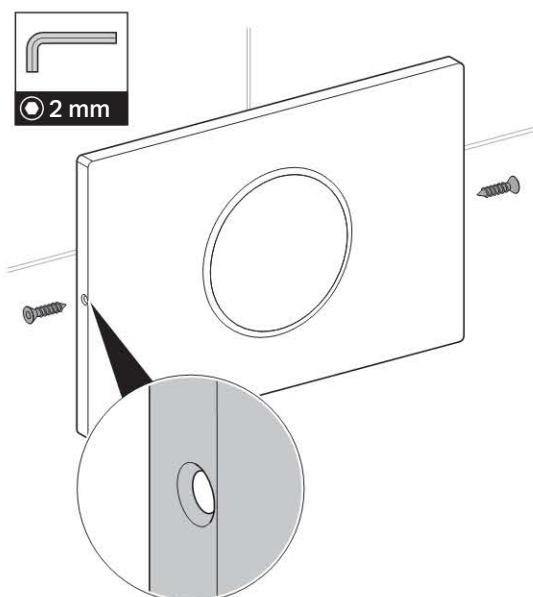
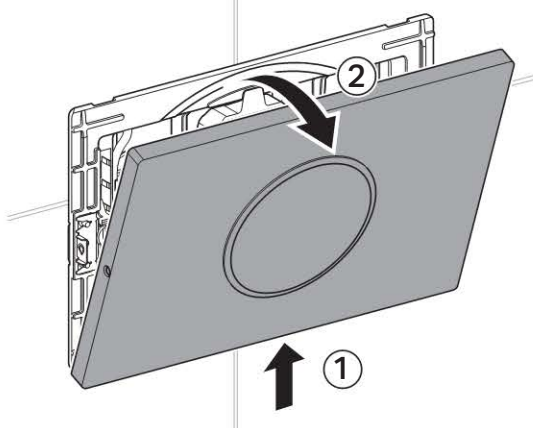
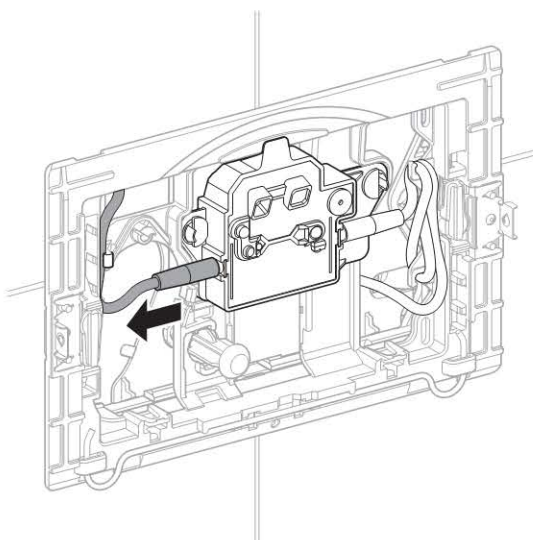
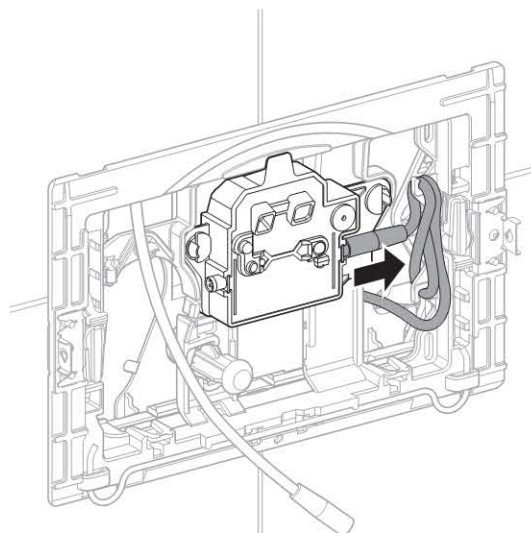
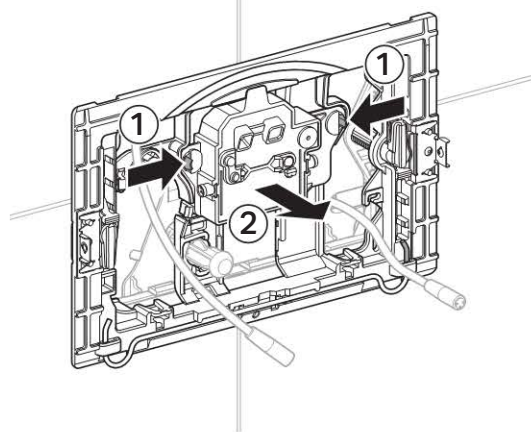
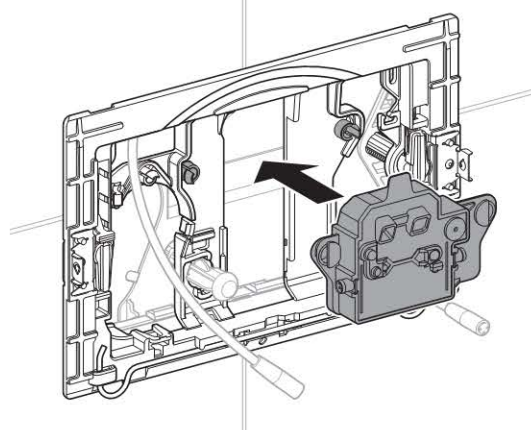
3



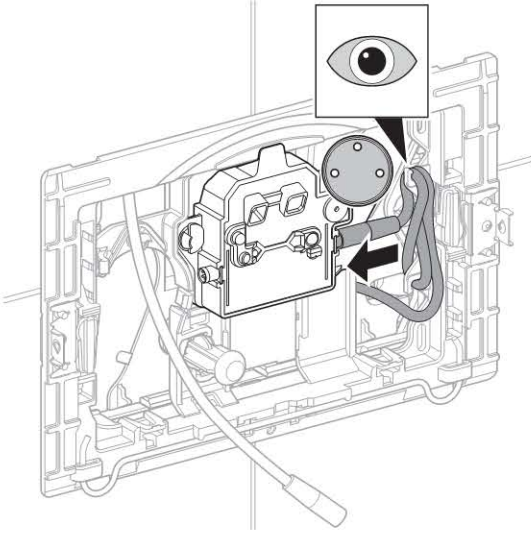
4



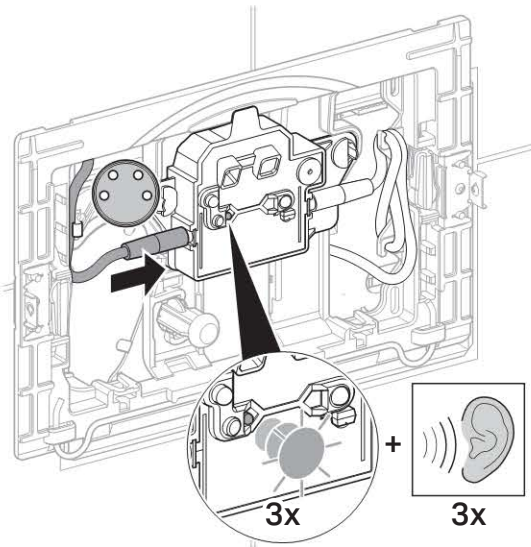
Replacing the control

1**2****3****4****5****6**

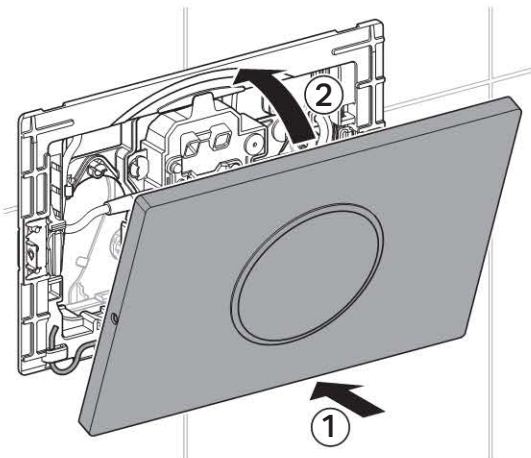
7



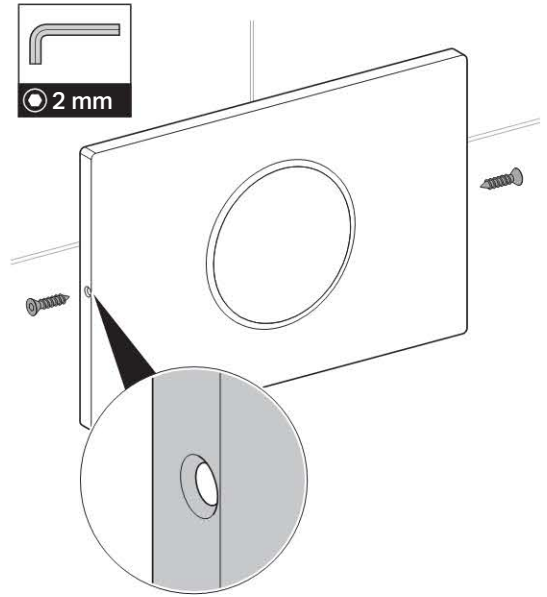
8



9

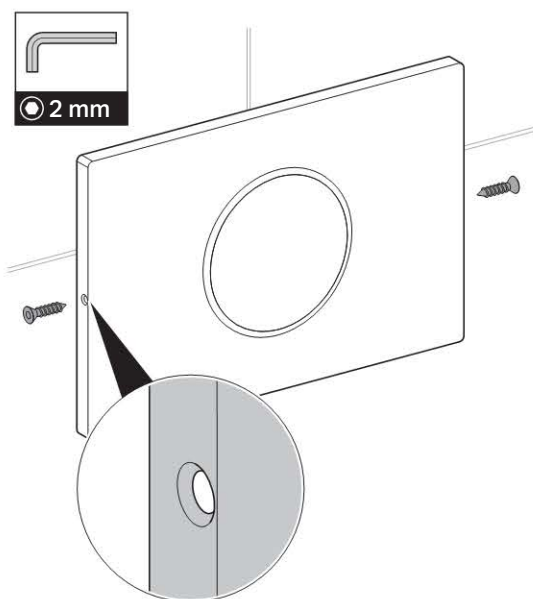


10

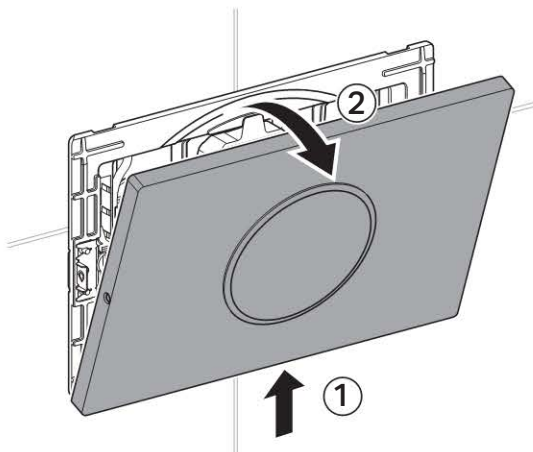


Replacing the lifting device

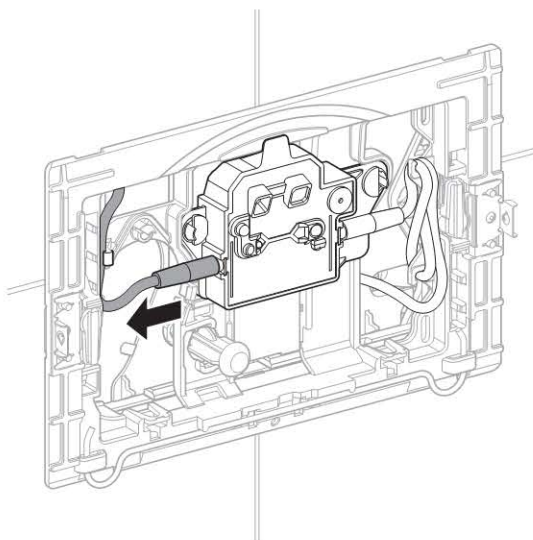
1



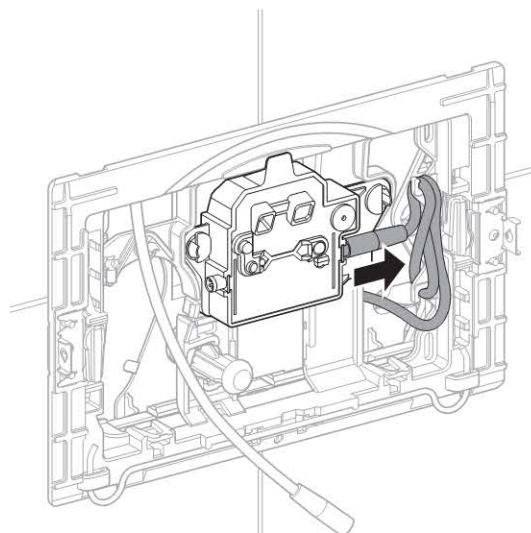
2



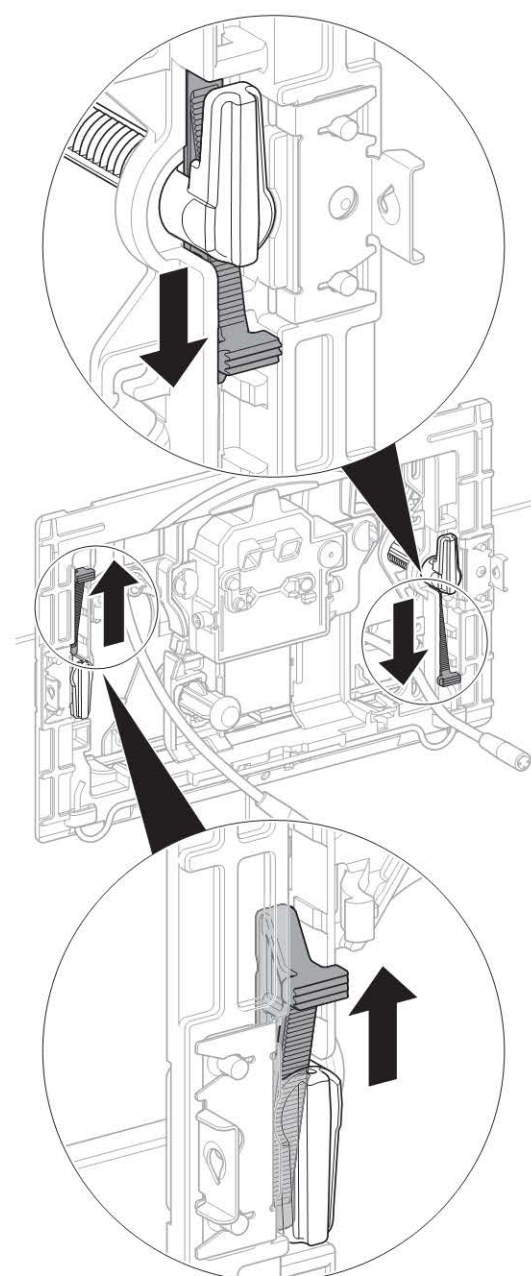
3



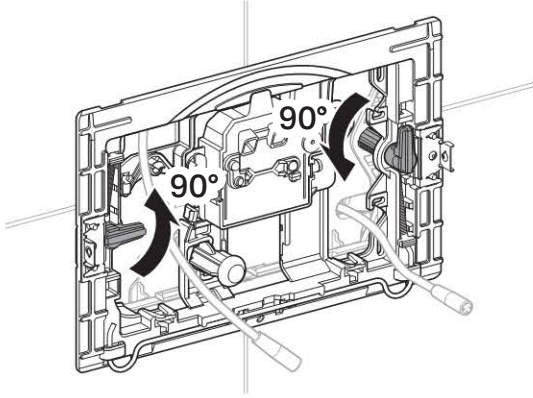
4



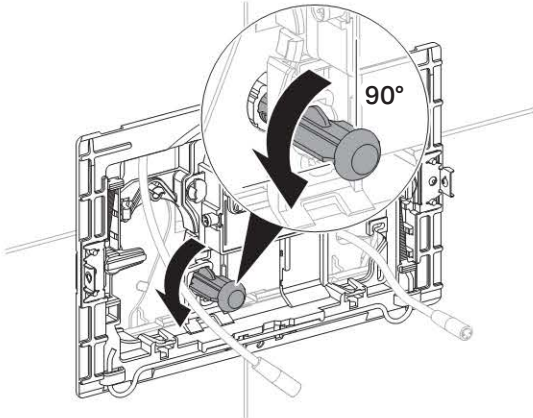
5



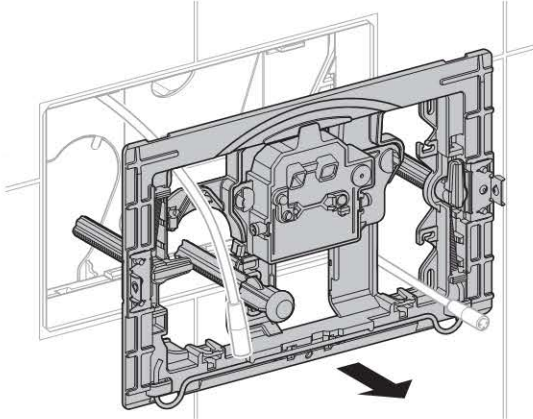
6



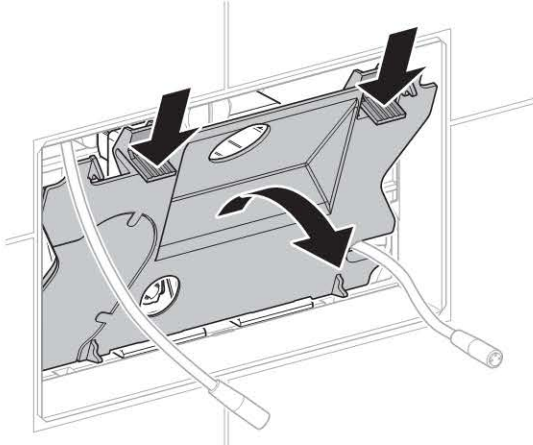
7



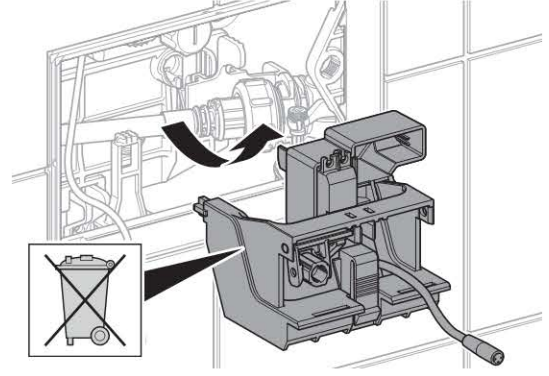
8



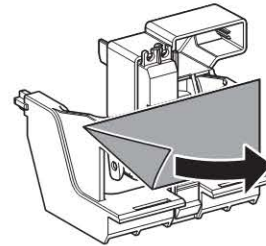
9



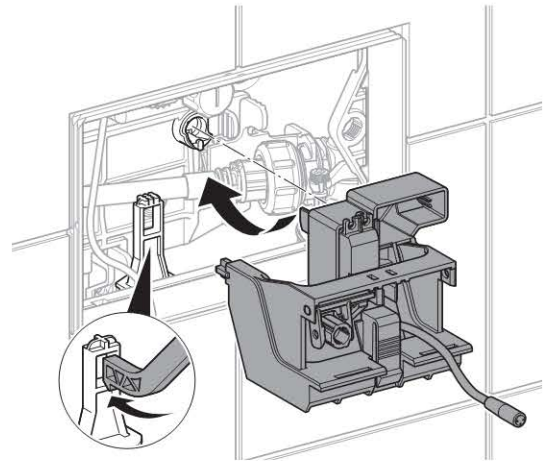
10



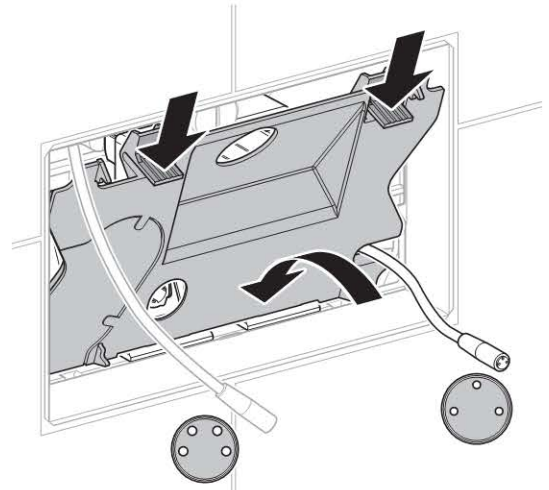
11



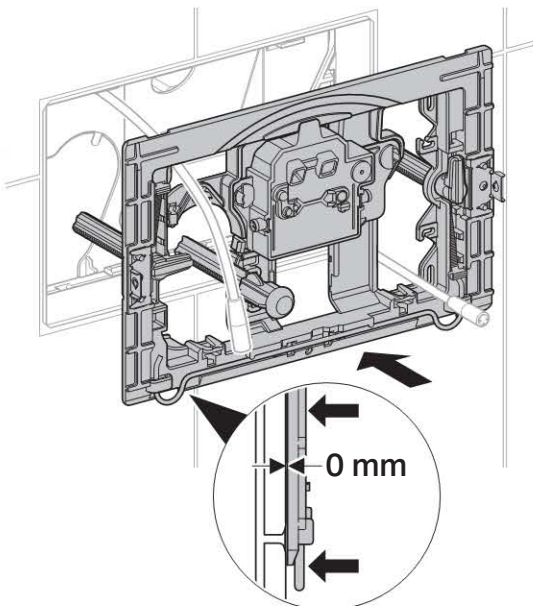
12



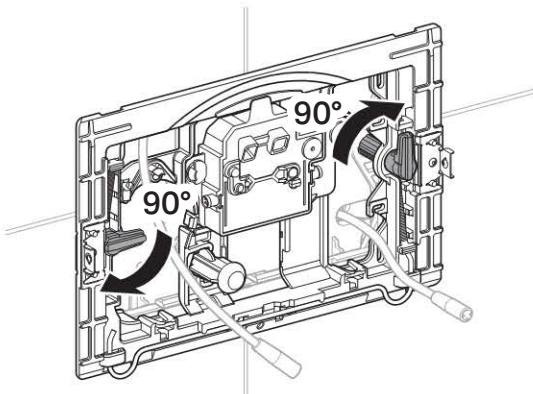
13



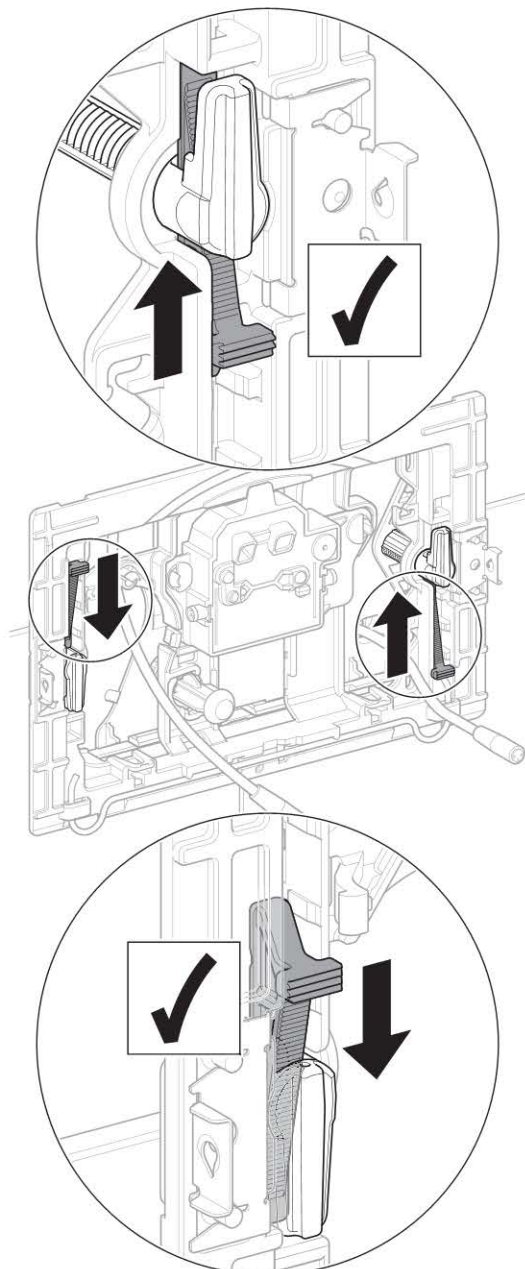
14



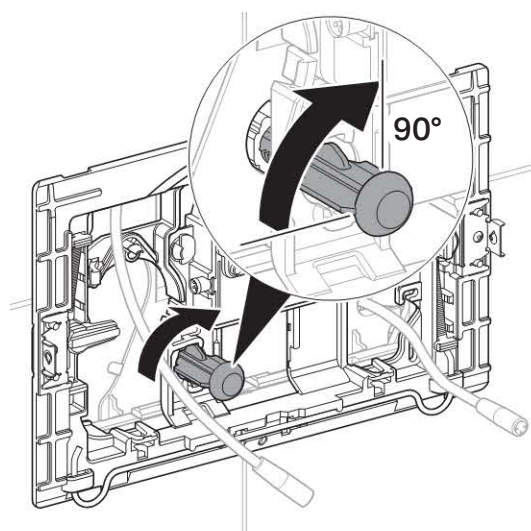
15



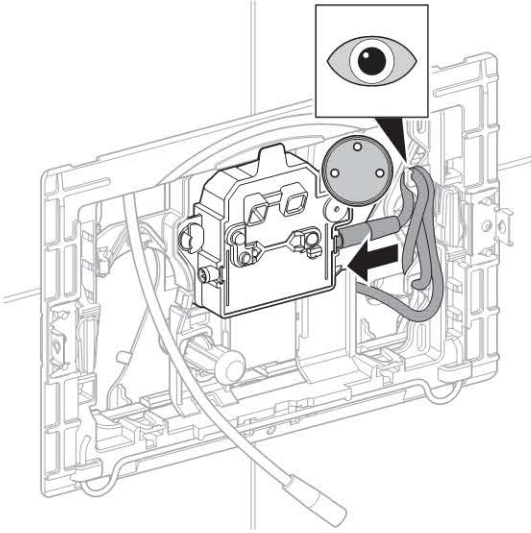
16



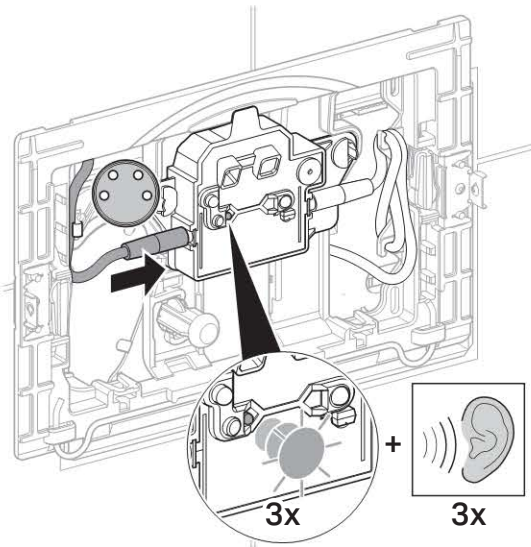
17



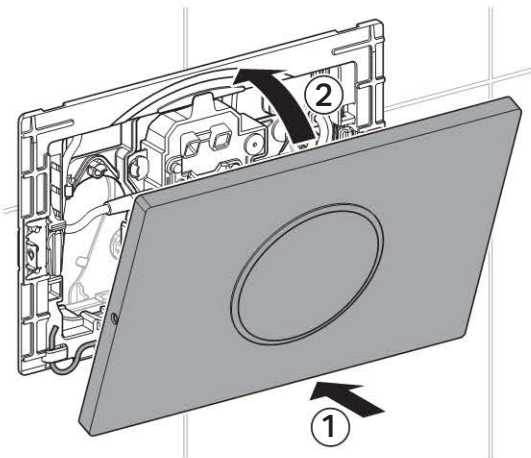
18



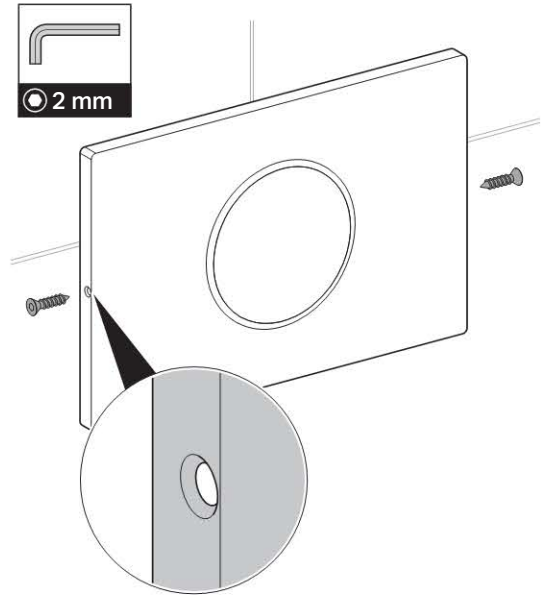
19



20

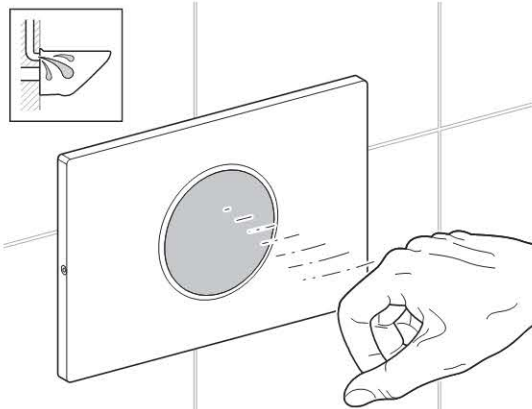


21

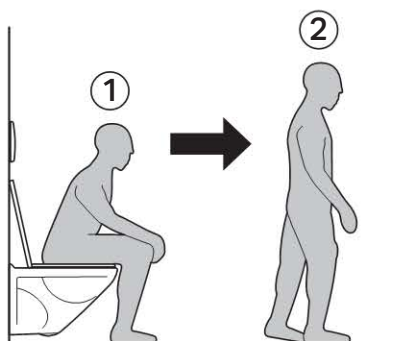
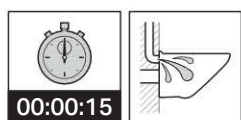


Checking the infrared user detection

1



2



i If automatic flush actuation is deactivated, test step 2 cannot be carried out.

Geberit International AG
Schachenstrasse 77
CH-8645 Jona

T +41 55 221 63 00
F +41 55 221 63 16
documentation@geberit.com

→ www.geberit.com