

Service



Table of contents

Target group.....	3
Explanation of symbols	3
Safety notes	3
Contact	3
Structure	4
Fault clearance by fault pattern	5
Service procedures.....	6

Target group


This document is intended for use by skilled persons as defined by EN IEC 62079:2001.

Explanation of symbols

	WARNING	Refers to a potentially dangerous situation that may cause serious injury or death.
		Refers to important information.

Safety notes

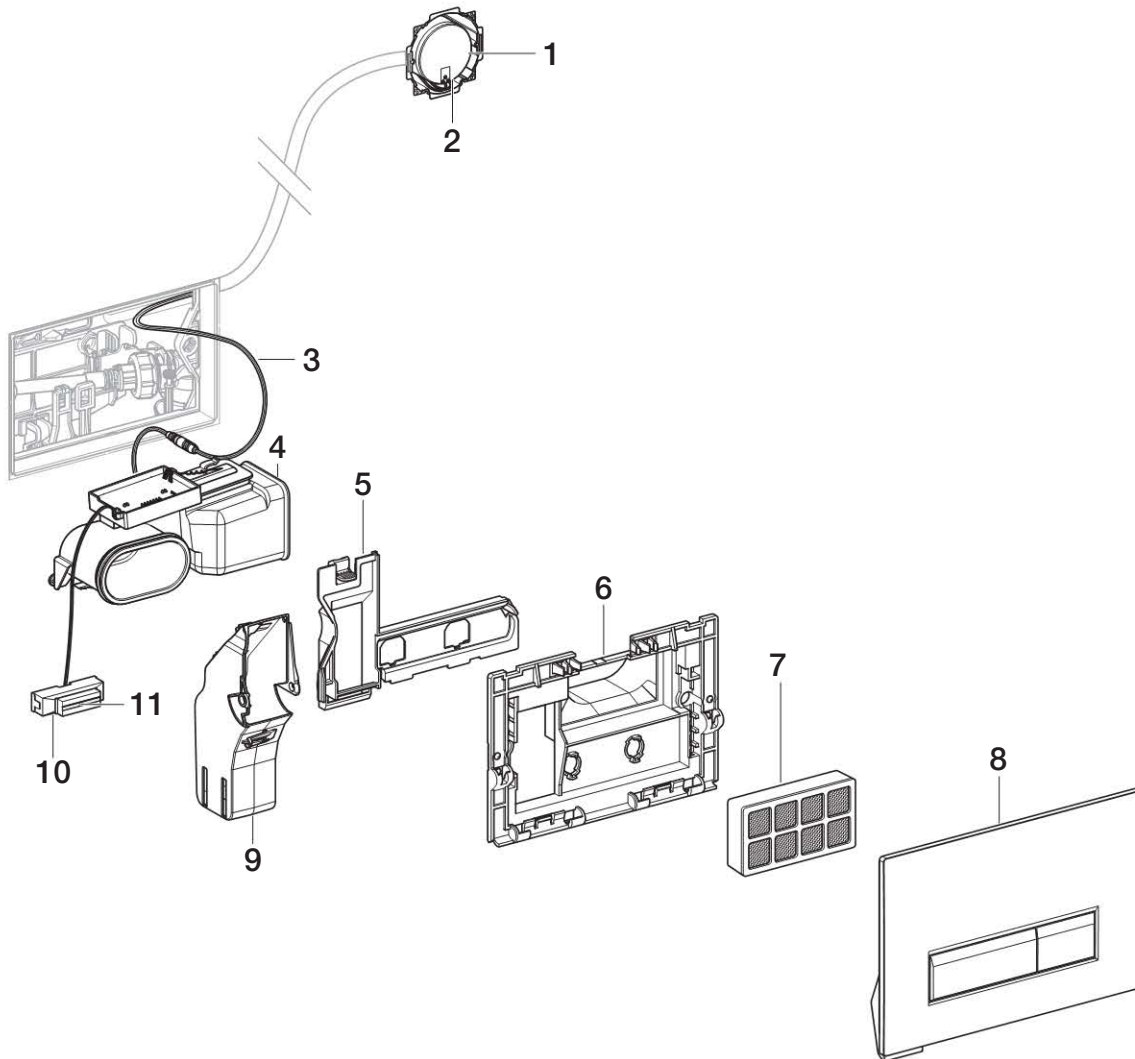
Working on electrical components

	WARNING The mains connection cable is live Touching the open contacts will result in an electric shock
	▶ Cut off the power supply for work at the site.

Contact

If you have any queries or problems, please contact your Geberit sales company or visit www.geberit.com.

Structure



- 1 Power supply unit
- 2 LED power supply unit
- 3 Plug connection between extraction unit and power supply unit
- 4 Extraction unit
- 5 Protection plate
- 6 Mounting frame
- 7 Active carbon filter
- 8 Actuator plate with hinged frame
- 9 Receptacle for in-cistern block
- 10 Button for odour extraction unit
- 11 LED on button for odour extraction unit

Fault clearance by fault pattern

Fault pattern	Cause	Fault clearance	Service	Fault clearance by
Odour extraction unit does not work and LED on power supply unit lights up	- Plug connection between power supply unit and extraction unit is not plugged in	• Establish plug connection		Plumber
	- Extraction unit is defective	• Replace extraction unit	See service instructions page 8	
	- Button for odour extraction unit is defective	• Replace extraction unit	See service instructions page 8	
Odour extraction unit does not work and LED on power supply unit does not light up	- Power supply unit is not connected to power supply	• Connect power supply unit	See service instructions page 6	Electrically skilled person
	- Defective fuse on electrical distributor of home	• Replace fuse		
	- Power supply unit is defective	• Replace power supply unit	See service instructions page 6	
LED on button for odour extraction unit flashes	- Active carbon filter is spent	• Replace active carbon filter	See instructions on the new filter	End user
Odour extraction is too long or too short	- Extraction duration of odour extraction unit does not correspond to customer requirement	• Change to different level	See service instructions page 7	Plumber
Button for odour extraction unit jams	- Button is dirty	• Remove actuator plate and clean the dirty parts	See service instructions page 8 step 1-3	End user
	- Button for odour extraction unit is jammed by hinged frame	• Check if the hinged frame is closed correctly and close if necessary		

Service procedures

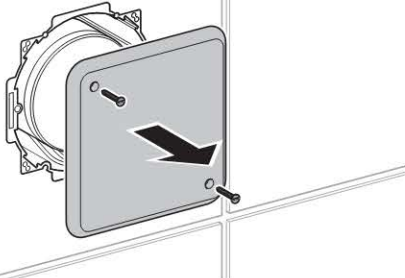
Replacing the power supply unit

Removing the defective power supply unit

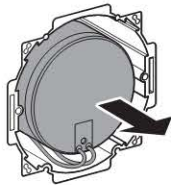
WARNING
The mains connection cable is live
Touching the open contacts will result in an electric shock

▶ Cut off the power supply for work at the site.

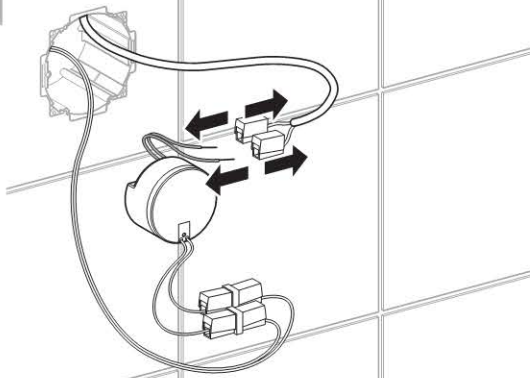
1



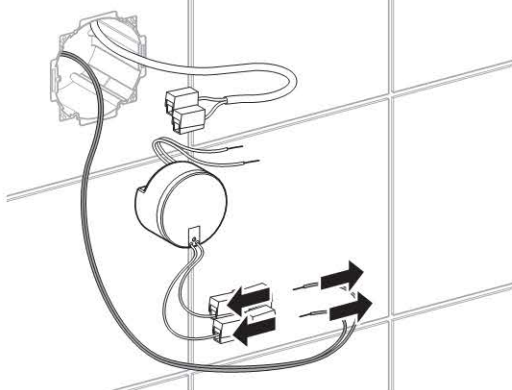
2



3

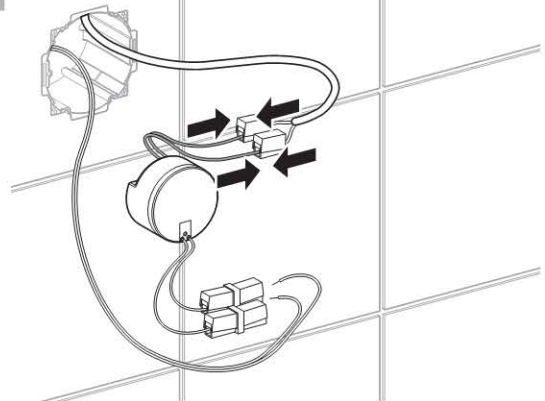


4

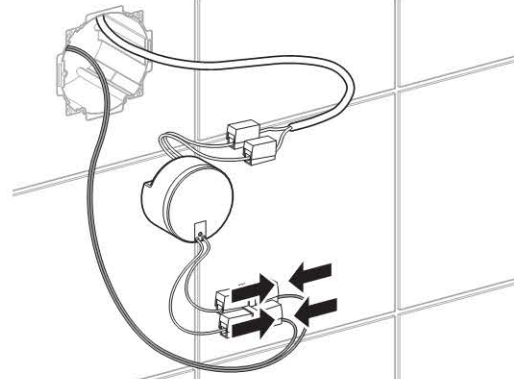


Installing a new power supply unit

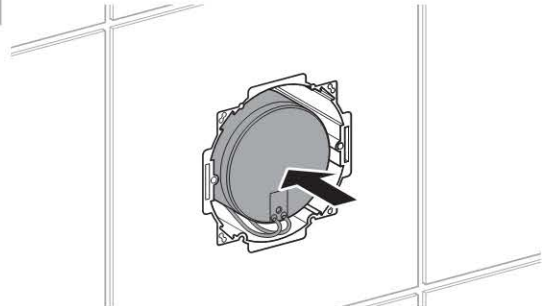
1



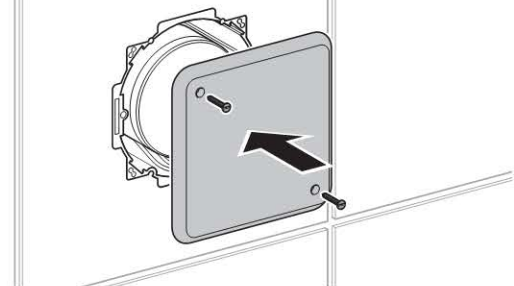
2



3



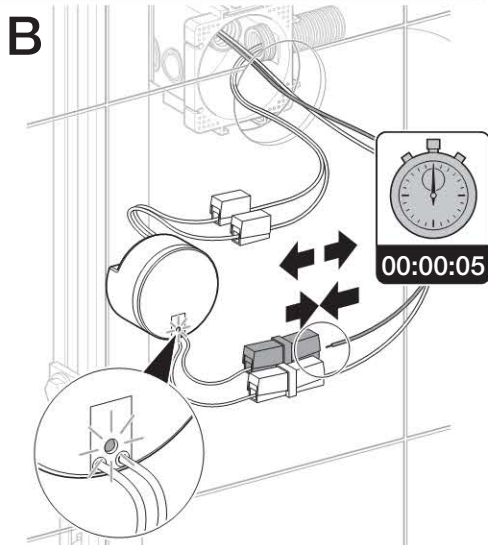
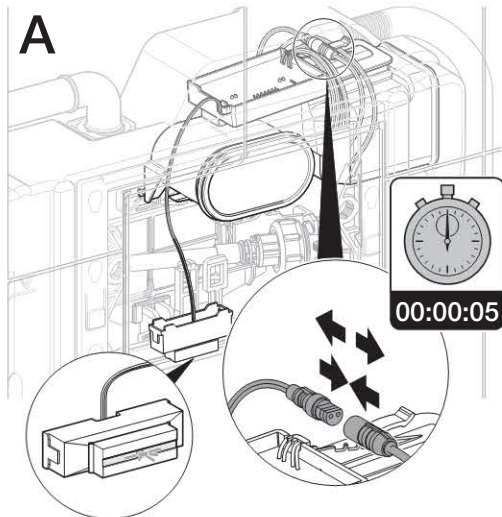
4



Changing the extraction duration of the odour extraction unit

- 1 Activate modification mode. Disconnect plug connection on extraction unit (A) or on power supply unit (B) for 5 s

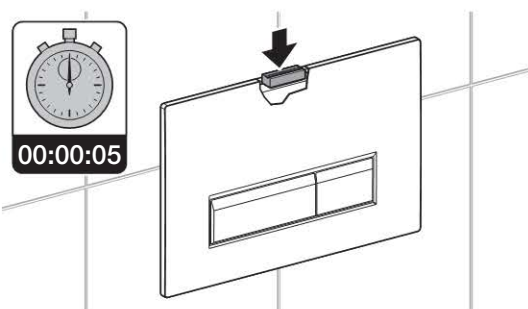
i While connecting the plug connection the LED on the odour extraction unit button (A) flashes and lights up on the power supply unit (B). Modification mode is now active for 10 min.



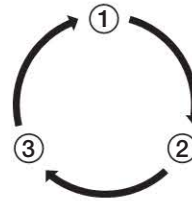
- 2 To query the current setting, press and hold the odour extraction unit button for 5 s.

i The LED starts flashing.

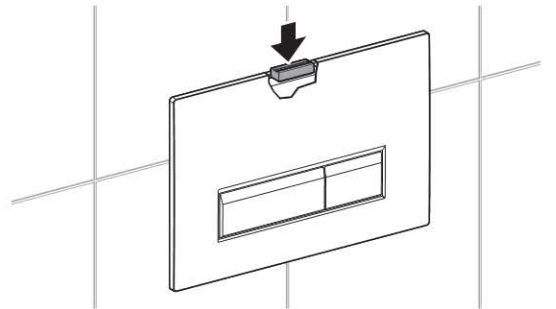
- Flashing once: Setting 5 min
- Flashing twice: Setting 10 min (factory setting)
- Flashing three times: Setting 15 min



- 3 To select the desired setting, press the odour extraction unit button again. Each time it is pressed, the setting changes to the next level. The selected setting is confirmed by the LED flashing.



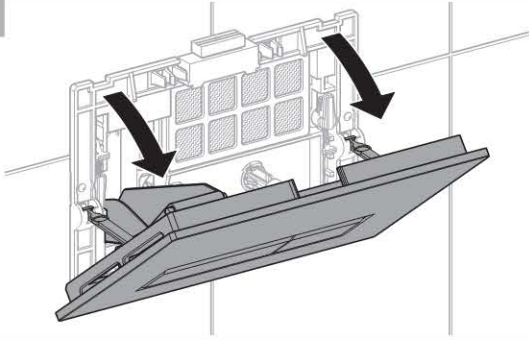
- 4 Once the desired setting is reached, press and hold the odour extraction unit button until the LED lights up.



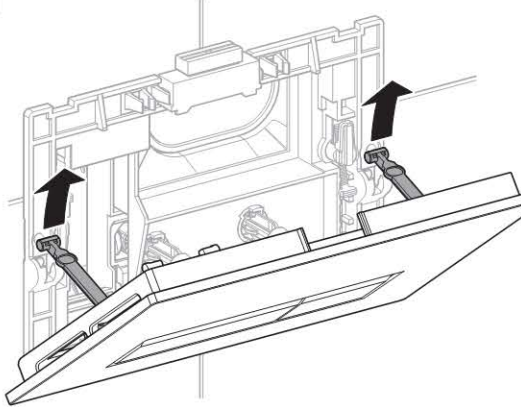
Result
The setting is saved.

Replacing the extraction unit

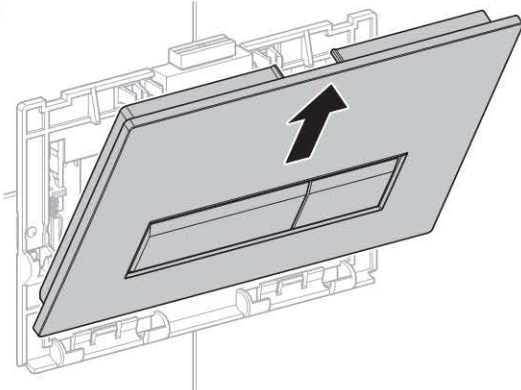
1



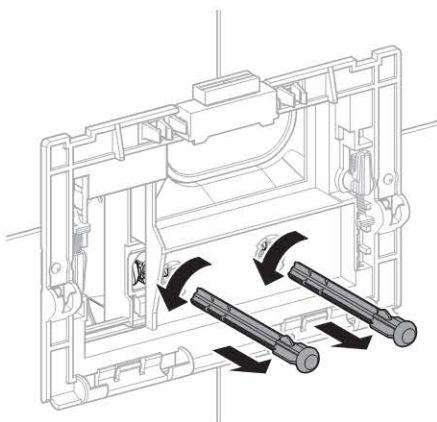
2



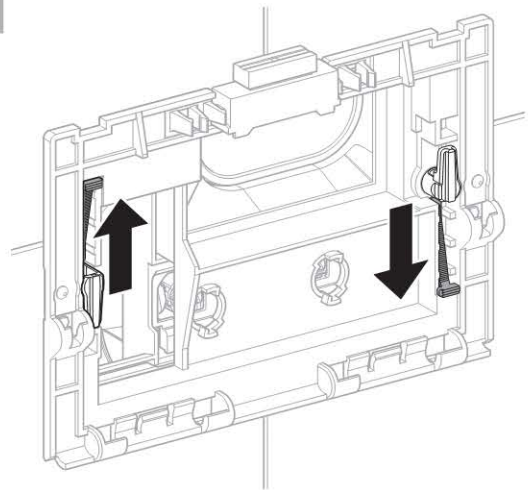
3



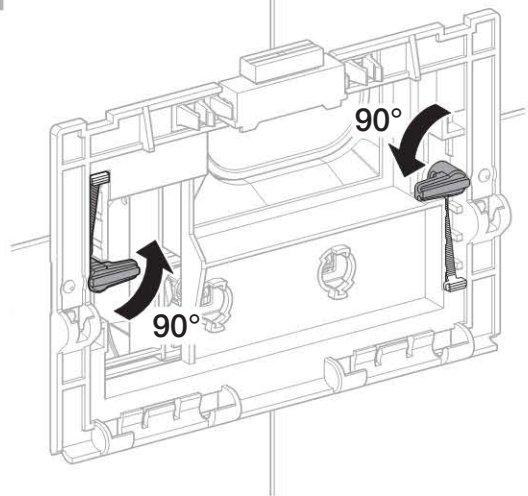
4



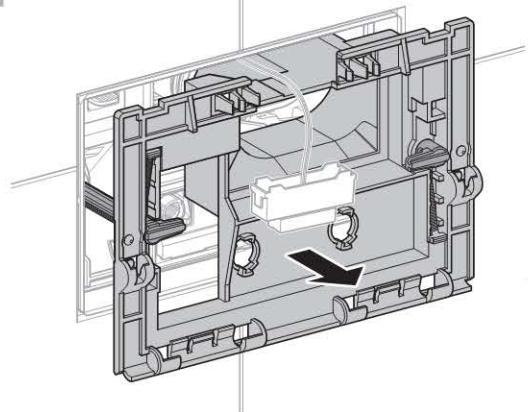
5



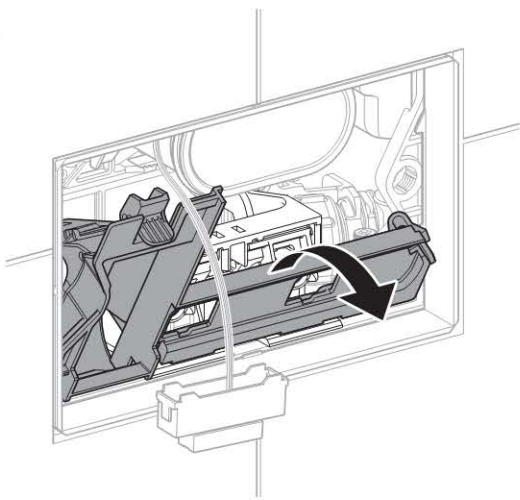
6



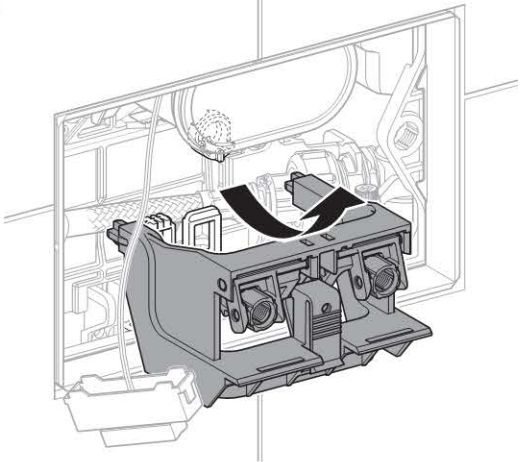
7



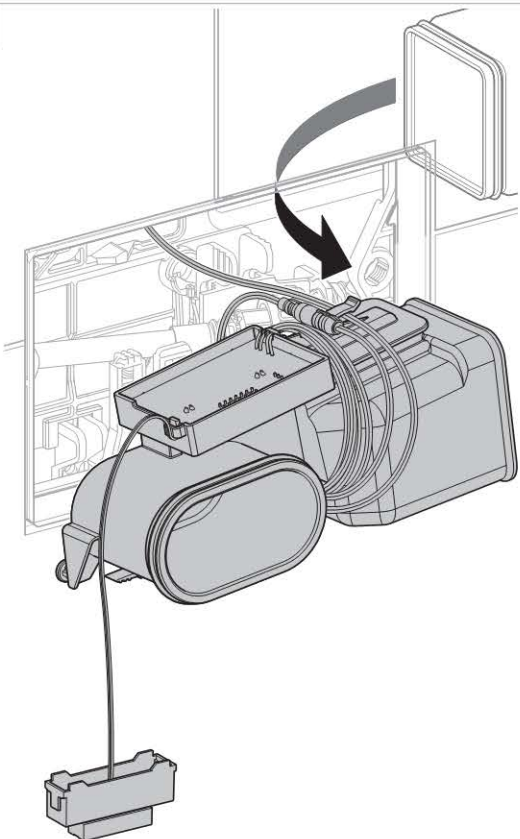
8



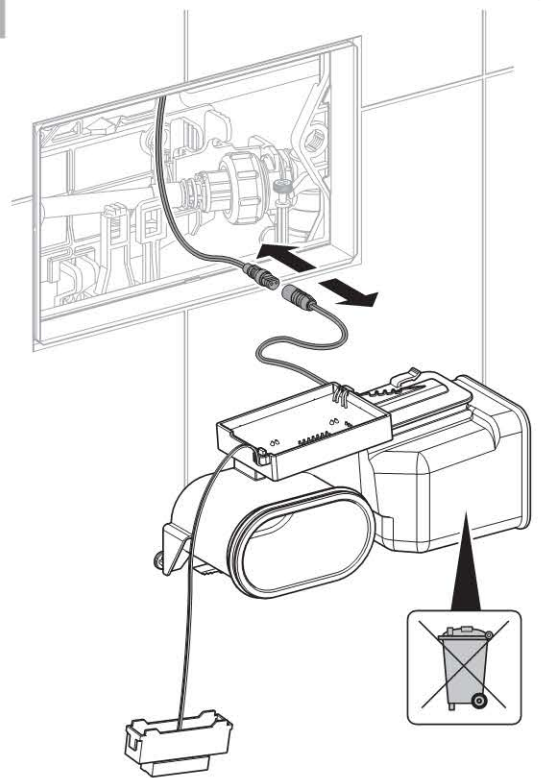
9



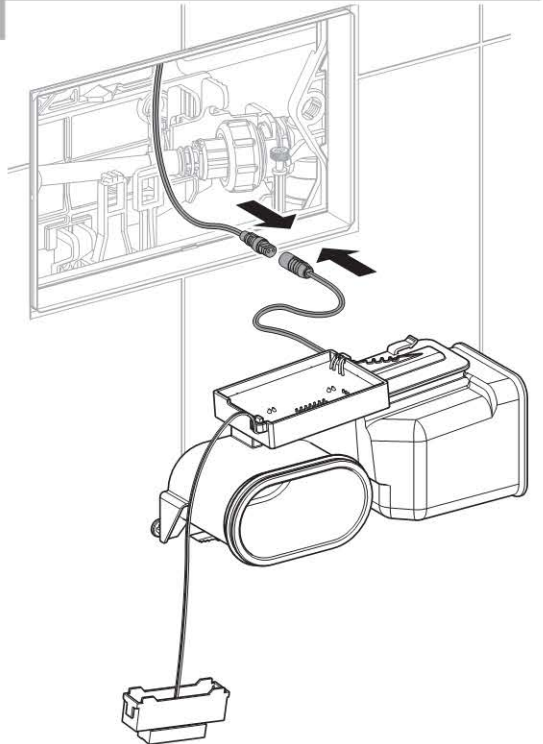
10



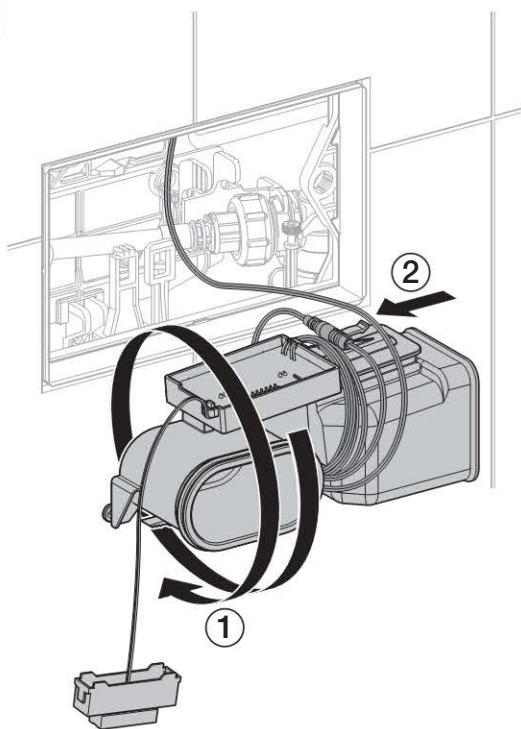
11



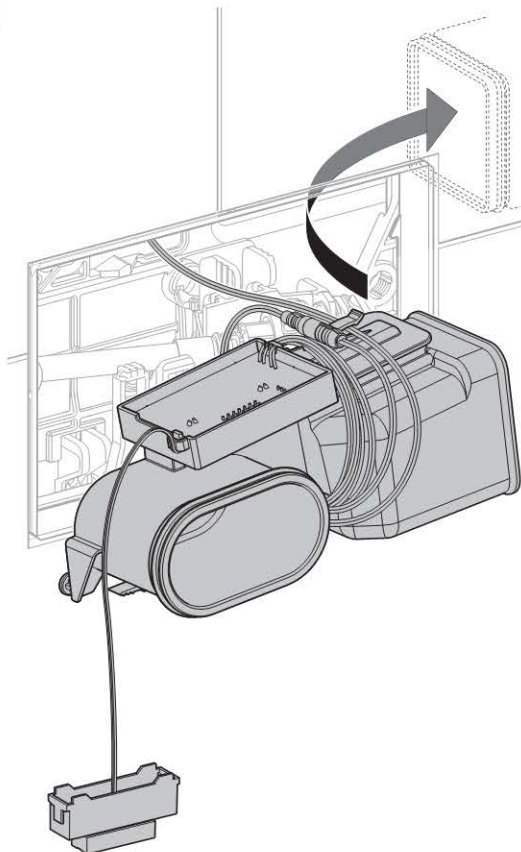
12



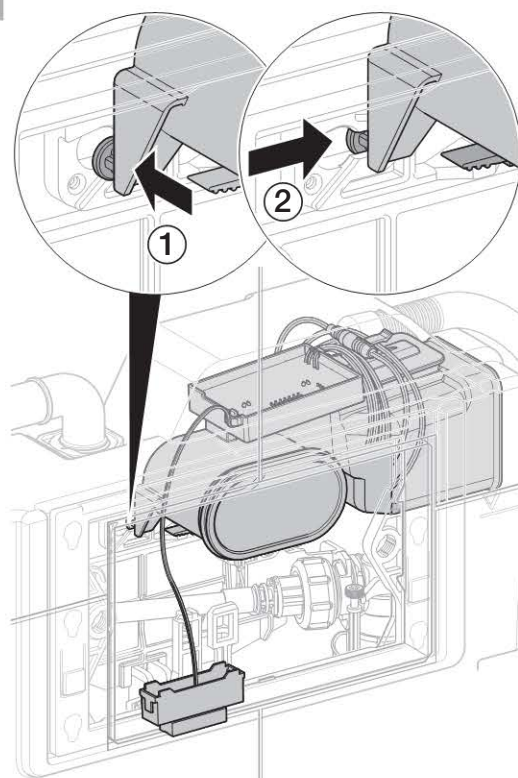
13



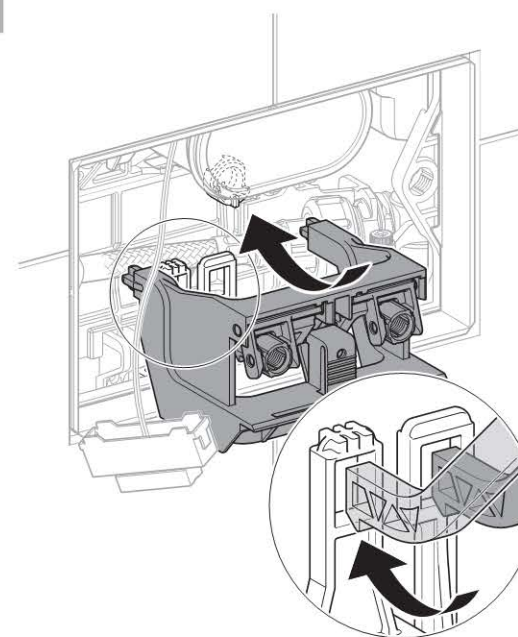
14



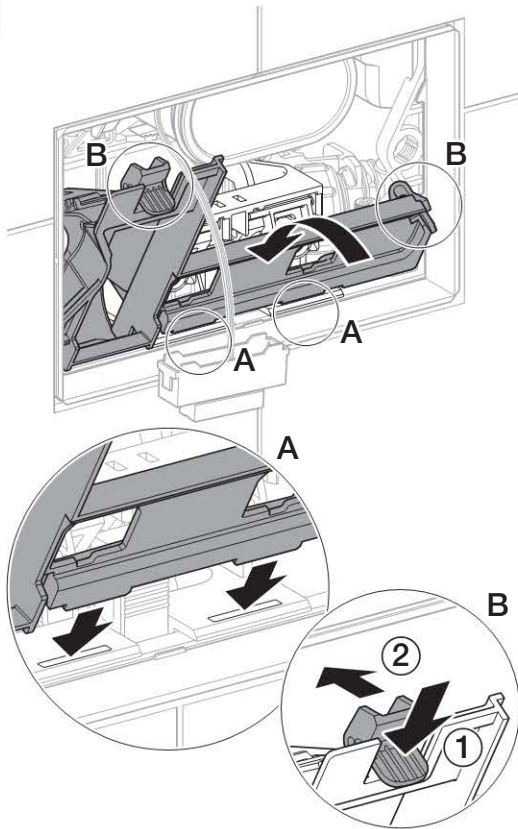
15



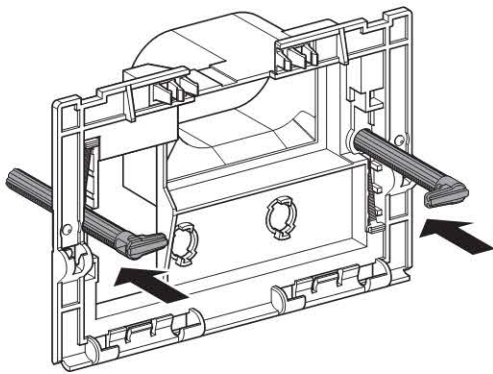
16



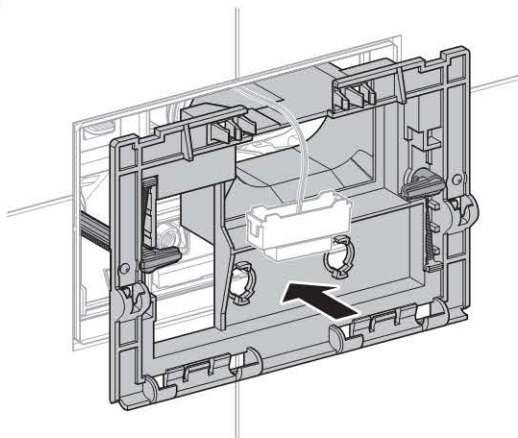
17



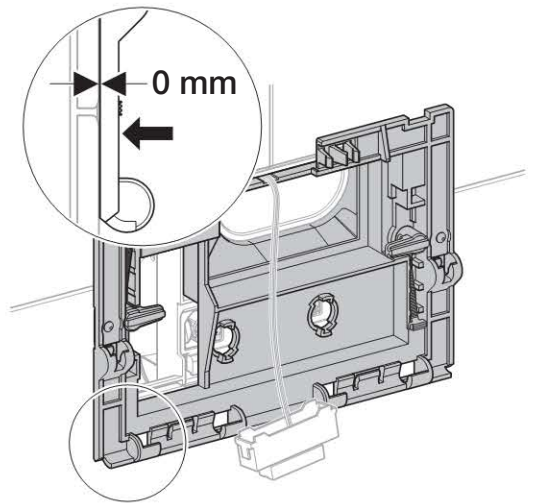
18



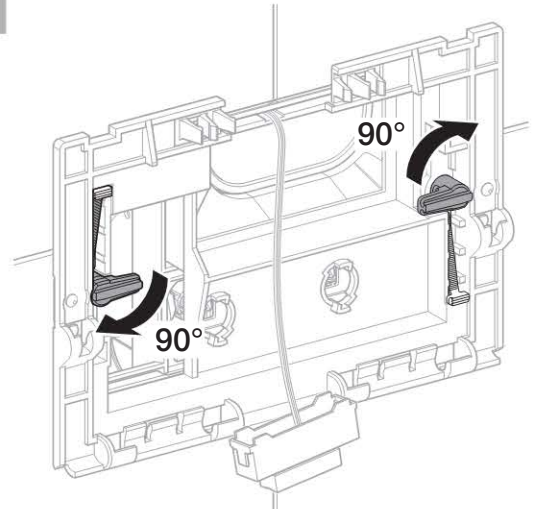
19



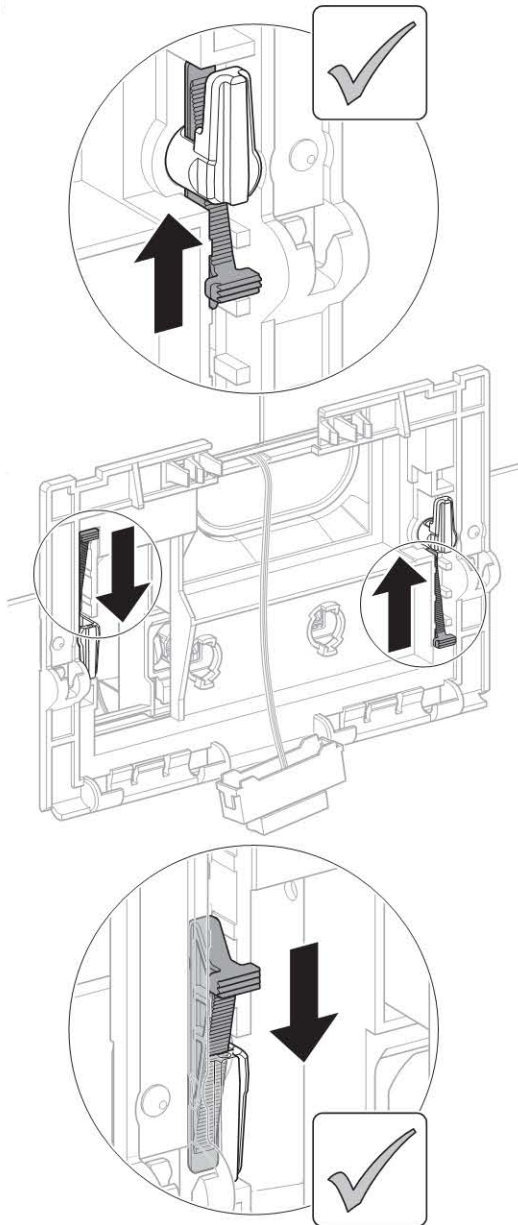
i



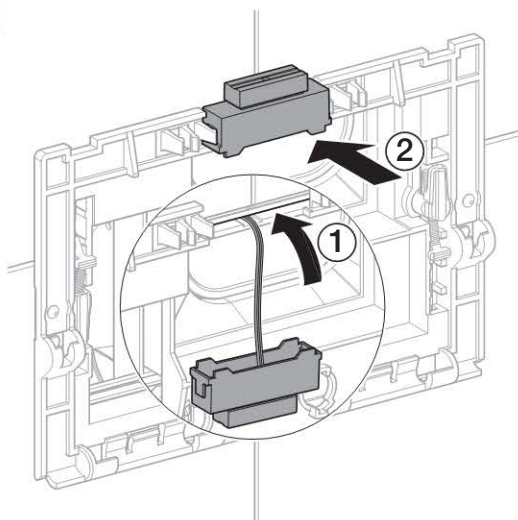
20



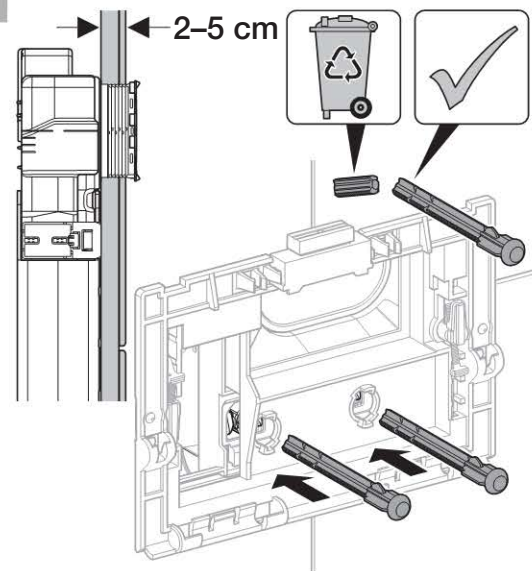
21



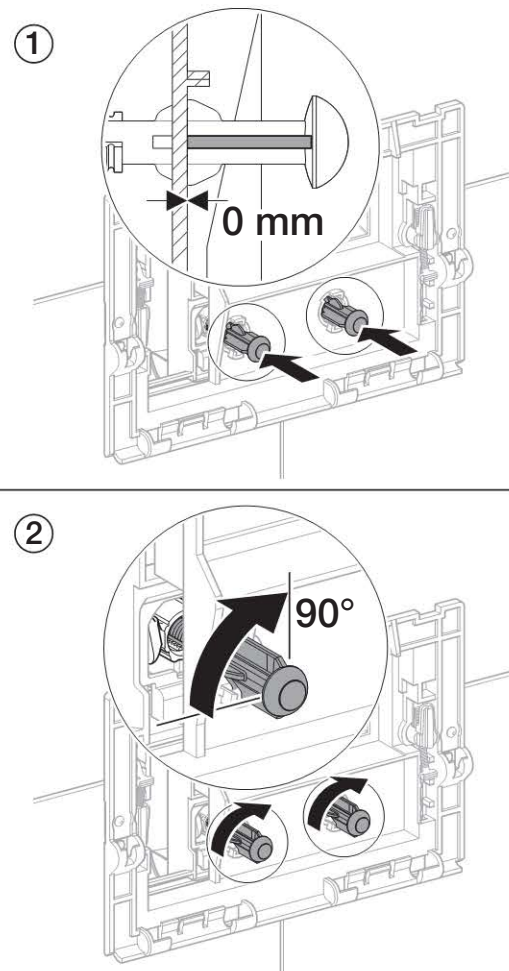
22



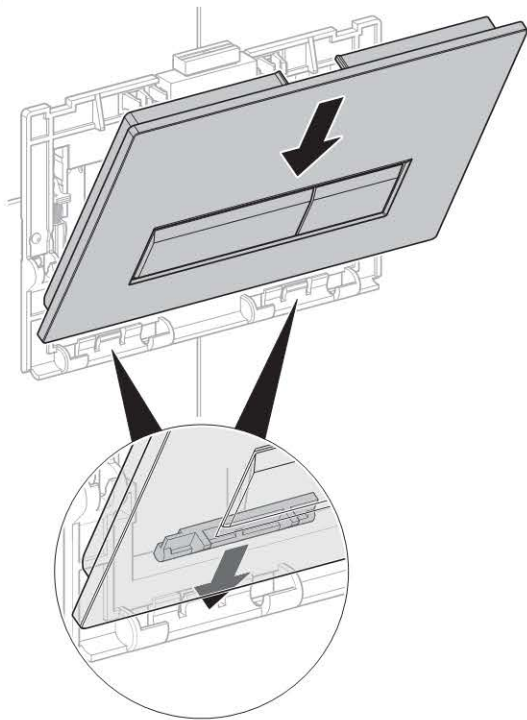
23



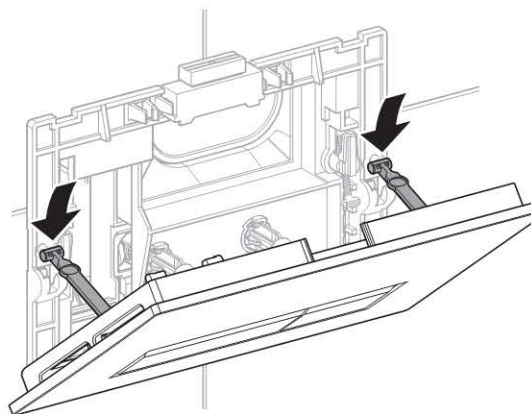
24



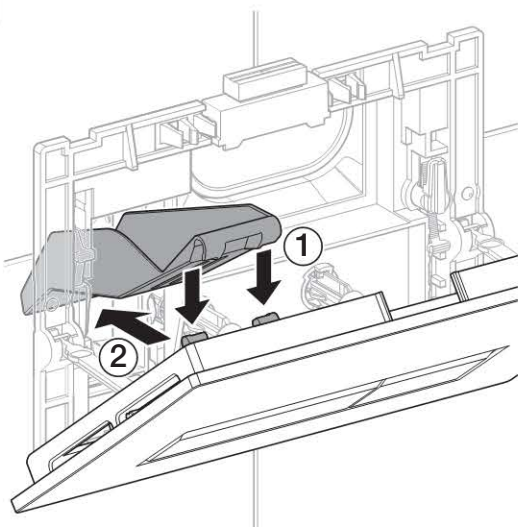
25



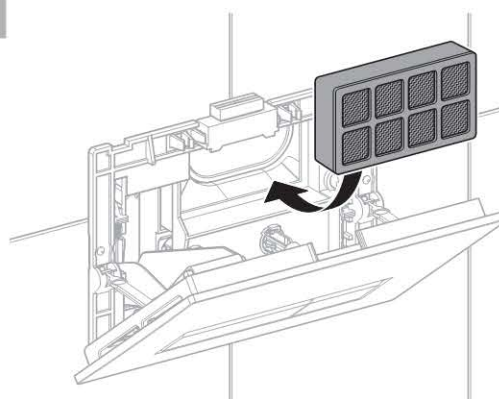
26



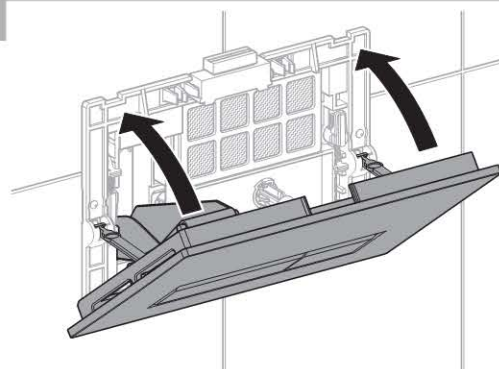
27



28



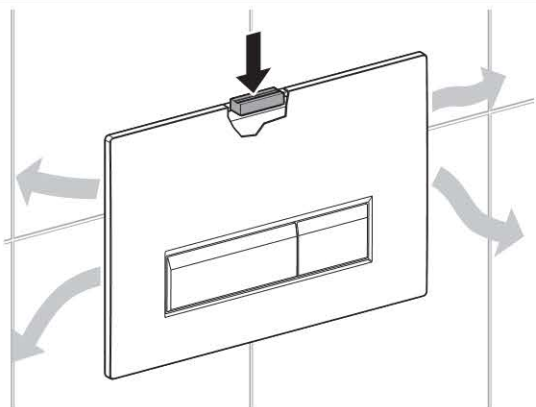
29



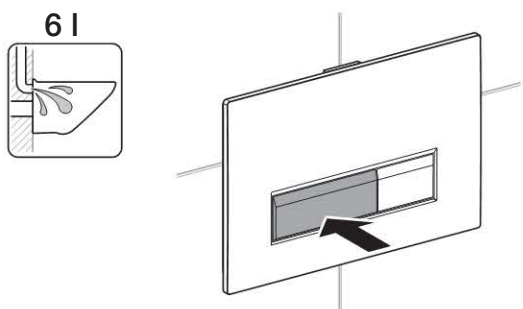
EN

Function test

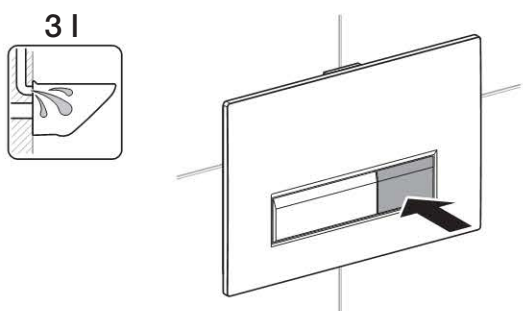
1



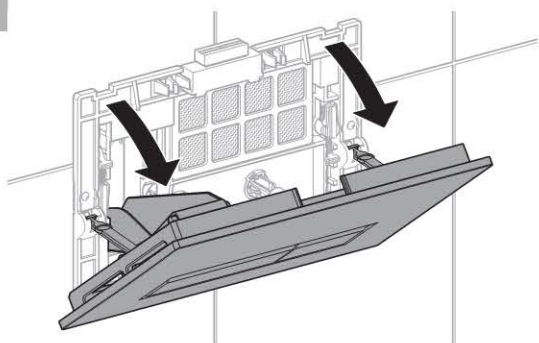
2



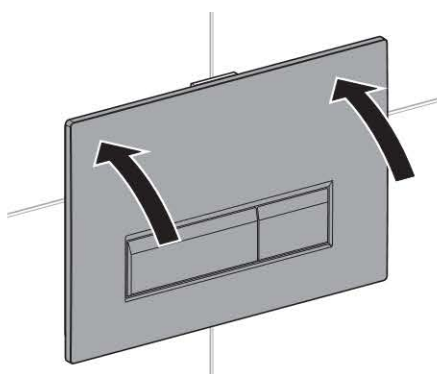
3



4



5



Geberit International AG
Schachenstrasse 77
CH-8645 Jona

dokumentation@geberit.com

→ www.geberit.com