

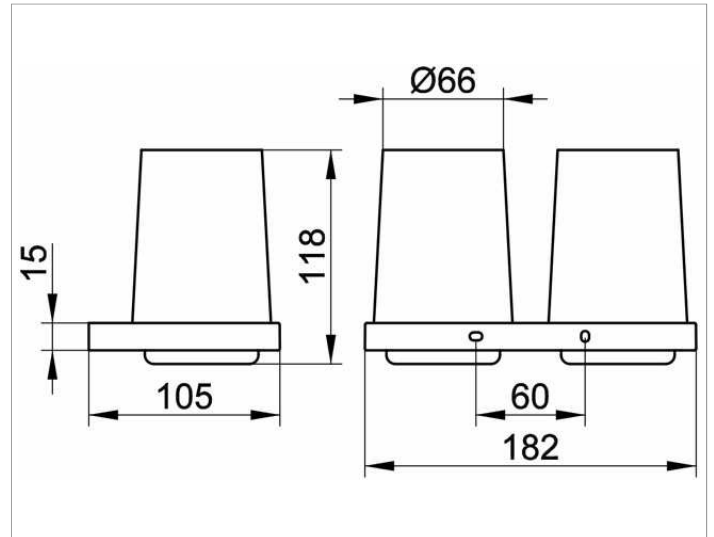
Edition 11

11151XX9000 Double tumbler holder

PRODUCT



DRAWING



PRODUCT ATTRIBUTES

complete with glass tumblers, hand-blown

SURFACE

02, 04, 12