

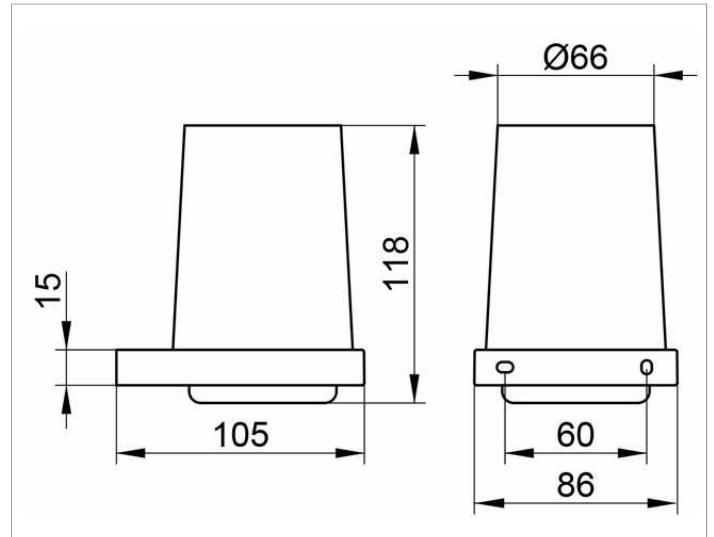
Edition 11

11150XX9000 Tumbler holder

PRODUCT



DRAWING



PRODUCT ATTRIBUTES

complete with glass tumbler, hand-blown

SURFACE

02, 04, 12