

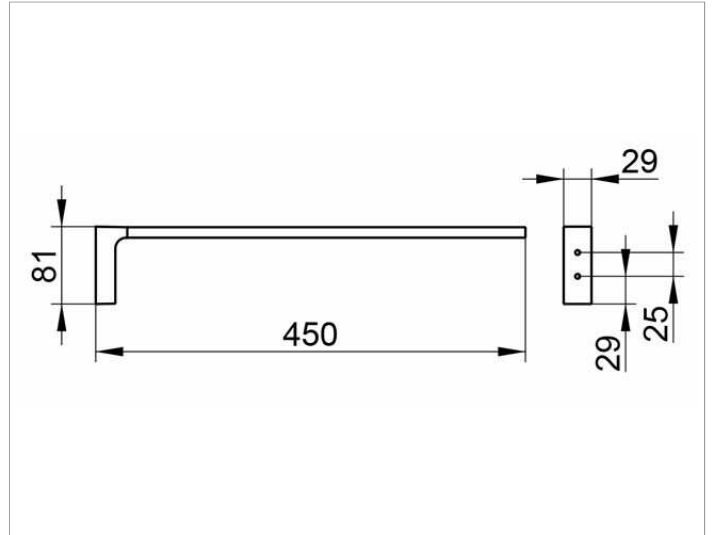
Edition 11

11120XX0000 Towel holder

PRODUCT



DRAWING



PRODUCT ATTRIBUTES

fixed

SURFACE

02, 04, 12

DIMENSION

450 mm