



LED Ceiling Lights

Polar Art No. 0720

Horizon Art no. 0730

Lumen Art no. 0740

Thank you for purchasing this HiB product.

Please read through these instructions carefully and refer back to them during installation to ensure that your product is fitted safely and that it retains its high quality finish.

This product is IP44 - suitable for installation in zones: 2 & Outside Zones

All installations must comply with guidelines which are based on a zonal concept. The diagram above illustrates this concept and must be followed to ensure the safe installation of electrical appliances in the bathroom. These regulations apply to domestic installations only. Installations must be made in accordance with the current IEE wiring regulations and relevant building regulations. **HiB recommends that all electrical bathroom products should only be fitted by a suitably qualified, Part P registered electrician.**

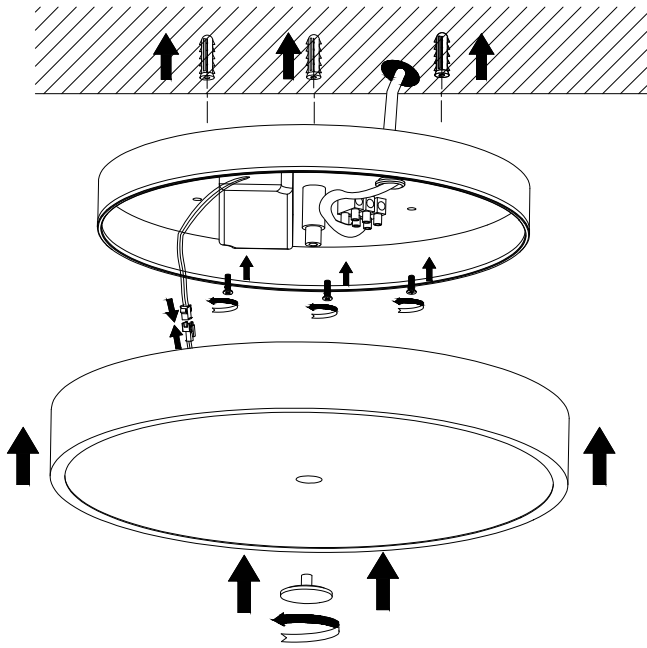
Fitting Instruction

Ensure the domestic electrical mains supply to which the ceiling light is being connected is turned off.

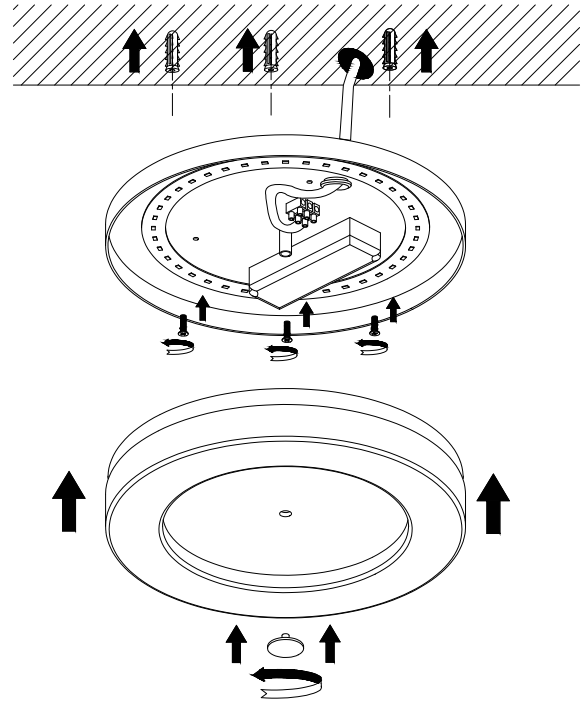
1. Position the ceiling light in a suitable location (according to the zonal diagram above (Fig. 1), ensuring that the domestic electrical mains supply is within reach of the electrical entry point of the product.
2. Carefully mark the position of the ceiling light mounting points using a soft pencil. **Please ensure that all marked mounting points accurately match up with the fixing points on the ceiling light.**
3. **Before drilling, ensure there are no hidden cables or pipes behind the mounting points.** Using a suitable drill bit, drill holes in the marked positions to a suitable depth.
4. Insert wall plugs level with the surface of the ceiling. *NB. For plasterboard ceilings, specialist fixings should be purchased, available from any DIY or hardware store.*
5. Line up product with marked fixing points, feed mains supply through the lights base and screw into place.
6. **Ensure the domestic electrical mains supply to which the ceiling light is being connected is turned off.** Connect the domestic mains supply to the terminal block according to the wiring diagram (Fig. 6).
7. Lumen light ONLY, connect the two electrical connectors together ensuring they do not come apart. (Fig. 3).
8. Attach ceiling light shade and screw the shade chrome cover cap into place. (See fig.3,4 & 5)
9. Switch the domestic electrical mains supply back on.

Please retain this leaflet for future reference.

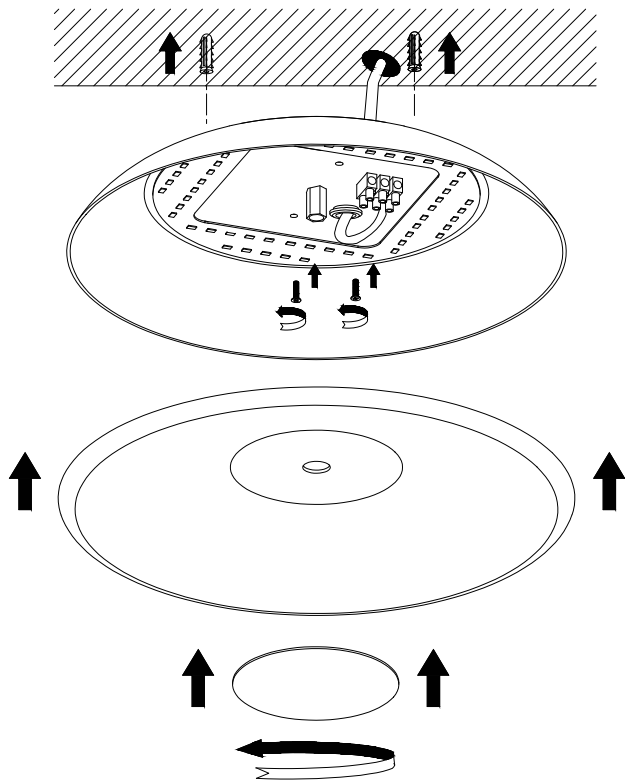
Lumen Assembly (Fig. 3)



Polar Assembly (Fig. 4)



Horizon Assembly (Fig. 5)



Care Instructions

Do not use abrasives or solvents when cleaning this product.
Wipe off all water spillages as soon as possible using a soft, damp cloth.

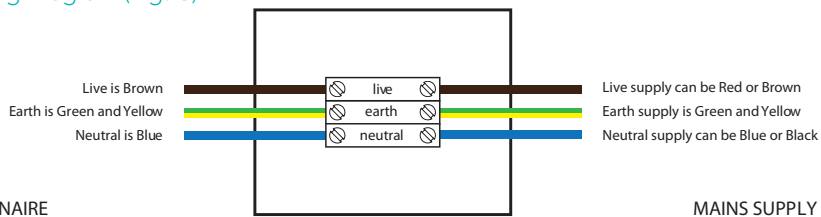
Operation Instructions

This product is non-dimmable.

Aftercare Service

In the unlikely event that this product should fail, please contact HiB Customer Services, details shown below.

Wiring Diagram (Fig. 6)



WEEE compliance
Must not be mixed
with general house-
hold waste