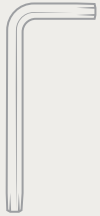


Parts Required

INCLUDED IN THIS CONVERSION BOX



allen wrench



manual

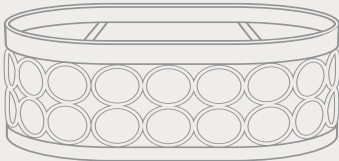


ottoman top



4 bolts & washers

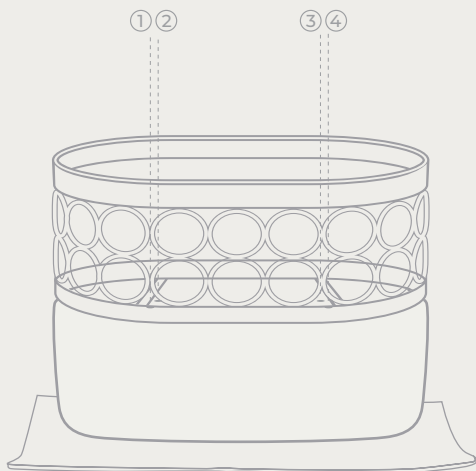
OTHER PARTS NEEDED



Rondo base

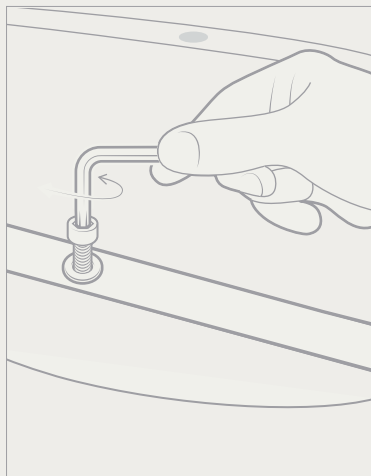
Part 1: Remove Bassinet

If your base is not attached to a bassinet, proceed to Part 2.



1. SET THE BASSINET UPSIDE DOWN

Place bassinet on the floor so the bottom and the bolt holes are facing up. Place the dust bag provided under the bassinet so the upholstery stays clean.



2. REMOVE THE BOLTS

Using the provided allen wrench, remove bolts, washers, and nuts that attach bassinet to base.



3. REPEAT

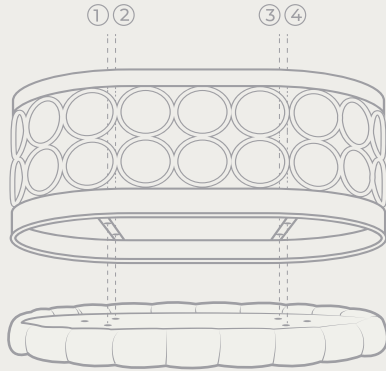
Repeat for all 4 holes



PREVENT CHOKING

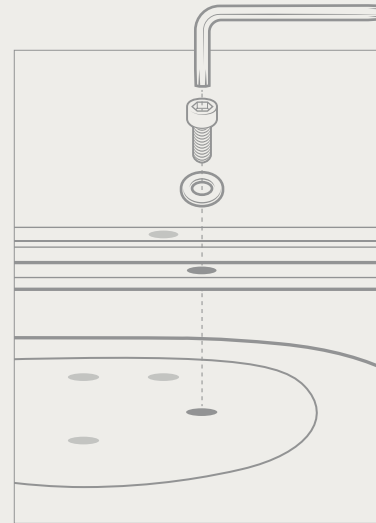
Immediately place hardware out of reach of children. Children crawling or playing on floor may find loose hardware and place in mouth.

Part 2: Attach Ottoman Top



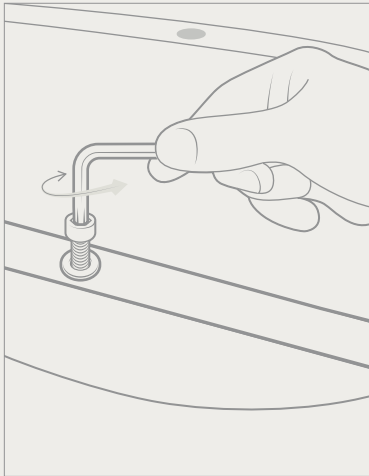
1. PLACE THE OTTOMAN TOP UPSIDE DOWN ON THE GROUND

With the help of another person, carefully unbox the ottoman and set it upside down. Place the base on top so all 4 holes line up.



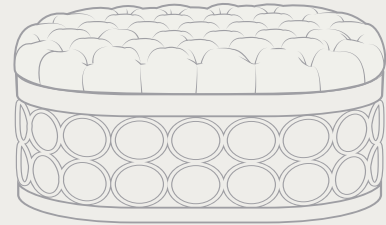
2. ATTACH THE BASE

Using the 4 bolts, washers and allen wrench provided, attach the ottoman top to the base.



3. REPEAT

Repeat for all 4 holes
Make sure each bolt is tightened securely.



4. FLIP IT OVER

Flip the converted Aristot over so
the base is resting on the floor.

Composition, Cleaning & Maintenance

This product requires regular maintenance. The cleaning and maintenance of the product must only be carried out by an adult.

Check your product regularly for signs of wear and damage and to ensure that it is assembled correctly. Should any part be damaged, do not use it and keep it out of reach of children.

Do not clean with solvents, abrasive, or harsh products.

B A S E

- Made of steel coated with acrylic paint.
- To clean: periodically wipe metal parts clean with a damp, soft cloth. Always dry the metal parts to prevent the formation of rust.

:

O T T O M A N

- Made of 100% polyester.
- To clean: spot clean only with a damp cloth and mild detergent. Do not use bleach. Do not immerse in water.



WARNING

- Do not stand on ottoman.
- Do not use ottoman unless properly assembled. Do not use if any parts are broken or missing.
- Do not use the ottoman top or base separately or with any other top or base.
- Beware of small parts that can cause choking! Immediately place hardware out of reach of children. Children crawling or playing on floor may find loose hardware and place it in the mouth.

Questions?

If you have questions or if there is anything you do not understand, contact Customer Service at hello@aristot.com



ARISTOT.COM

@ARISTOTOFFICIAL