

Parts Required

INCLUDED IN THIS CONVERSION BOX



allen wrench

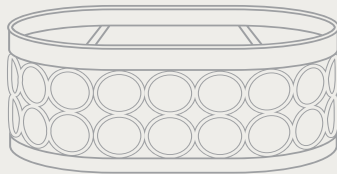


manual



tabletop

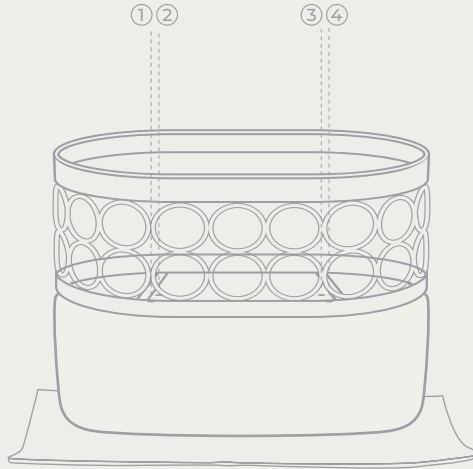
OTHER PARTS NEEDED



Rondo base

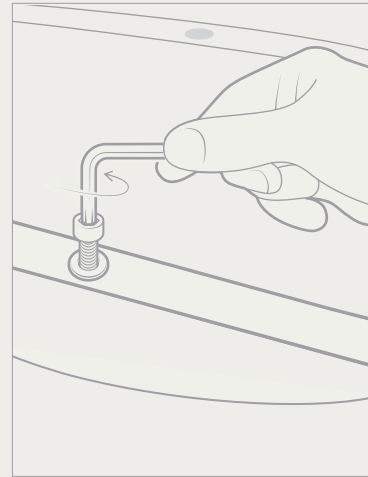
Part 1: Remove Bassinet

If your base is not attached to a bassinet, proceed to Part 2.



1. SET THE BASSINET UPSIDE DOWN

Place bassinet on the floor so the bottom and the bolt holes are facing up. Place the dust bag provided under the bassinet so the upholstery stays clean.



2. REMOVE THE BOLTS

Using the provided allen wrench, remove bolts, washers, and nuts that attach bassinet to base.

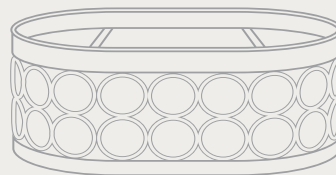
PREVENT CHOKING

Immediately place hardware out of reach of children. Children crawling or playing on floor may find loose hardware and place in mouth.



3. REPEAT

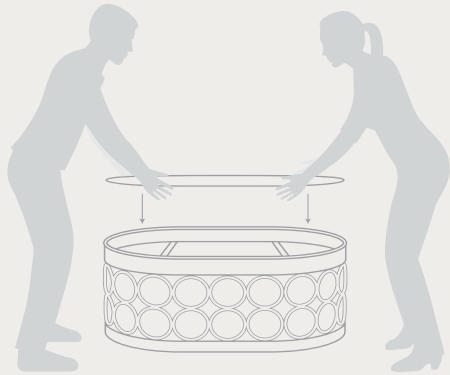
Repeat for all 4 holes



4. REMOVE THE BASE

Separate the base from the bassinet and place it on the ground right side up. Place the bassinet in its dust bag and into your choice of storage.

Part 2: Attach Tabletop



1. ADD THE TABLETOP

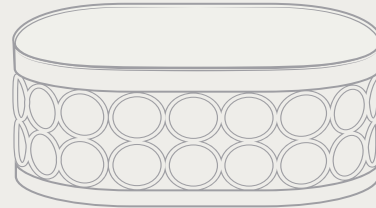
With the help of another person, carefully unbox tabletop and set it on top of the base.

Do not remove your hands until you are certain that the tabletop is fully supported on the base.



WARNING

Watch fingers when placing the tabletop down to avoid pinching between tabletop and base.



2. FINISHED

Composition, Cleaning & Maintenance

This product requires regular maintenance. The cleaning and maintenance of the product must only be carried out by an adult.

Check your product regularly for signs of wear and damage and to ensure that it is assembled correctly. Should any part be damaged, do not use it and keep it out of reach of children.

Do not clean with solvents, abrasive, or harsh products.

B A S E

- Made of steel coated with acrylic paint.
- To clean: periodically wipe metal parts clean with a damp, soft cloth. Always dry the metal parts to prevent the formation of rust.

T A B L E T O P

- Made of laminated porcelain and ceramic pigments.
- The surface is suitable for contact with foodstuff and is largely impervious to crayon or paint markings
- To clean: water and an alkaline cleaner is often enough. Test any cleaning product on a small area to ensure it will not damage the surface



WARNING

- Do not sit or stand on table.
- Not suitable for loads over 50lbs or 23kg.
- Do not use table unless properly assembled. Do not use if any parts are broken or missing.
- Do not use the tabletop or base separately or with any other top or base.
- Beware of small parts that can cause choking! Immediately place hardware out of reach of children. Children crawling or playing on floor may find loose hardware and place it in the mouth.

Questions?

If you have questions or if there is anything you do not understand, contact Customer Service at hello@aristot.com



ARISTOT.COM

@ARISTOTOFFICIAL