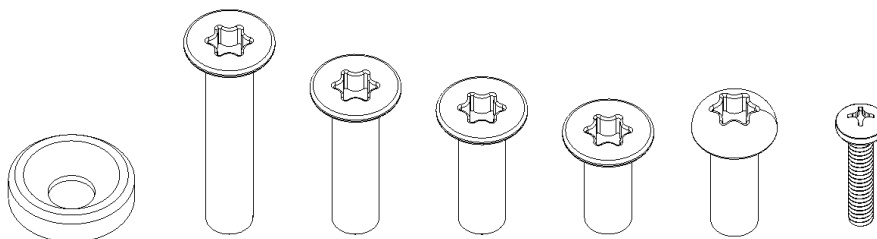




PUNCH & SHORTY

ASSEMBLY



WASHER

16MM

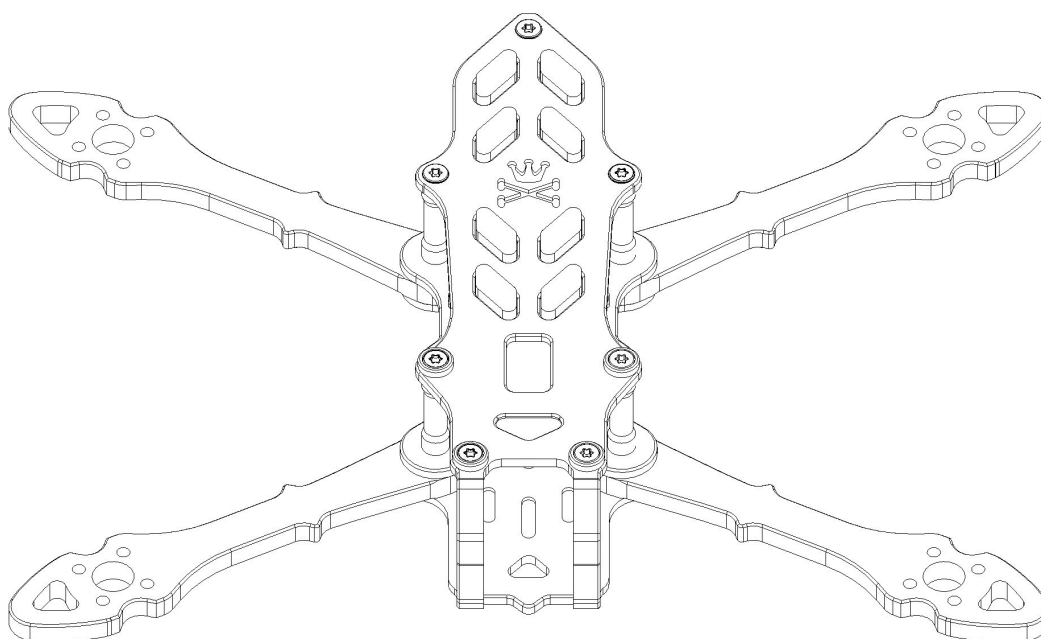
12MM

10MM

8MM

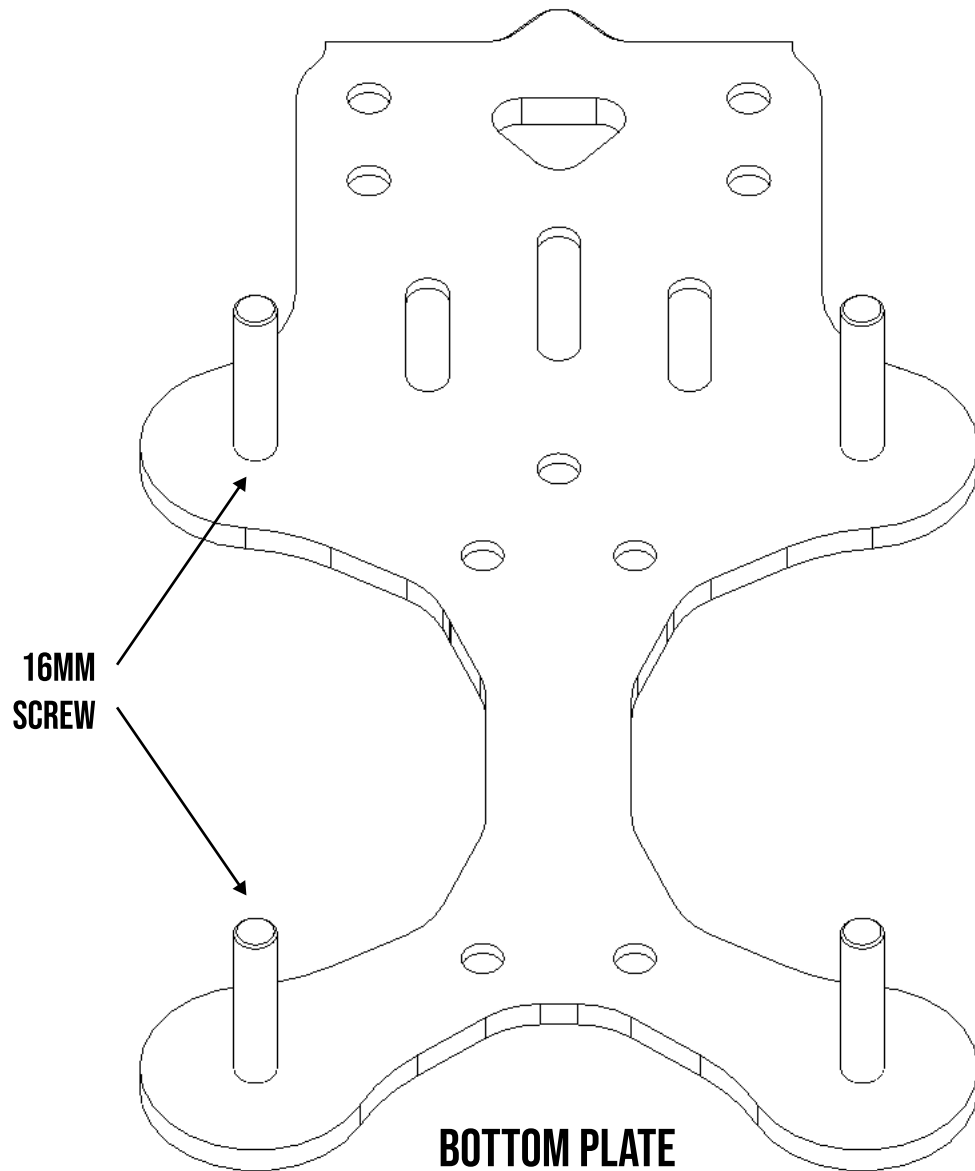
8MM BUTTON

1.6/8MM



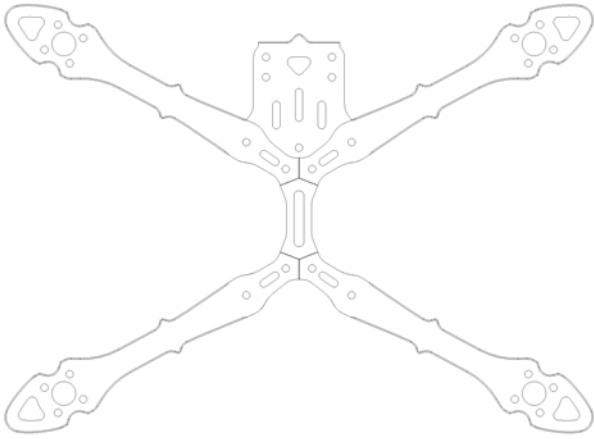


LET'S BUILD THIS PRECIOUS!

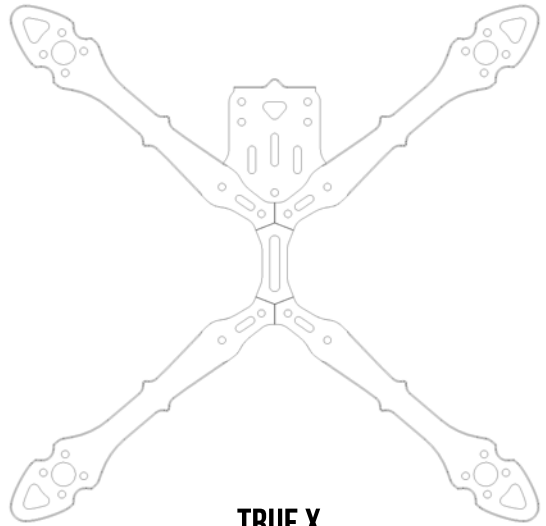




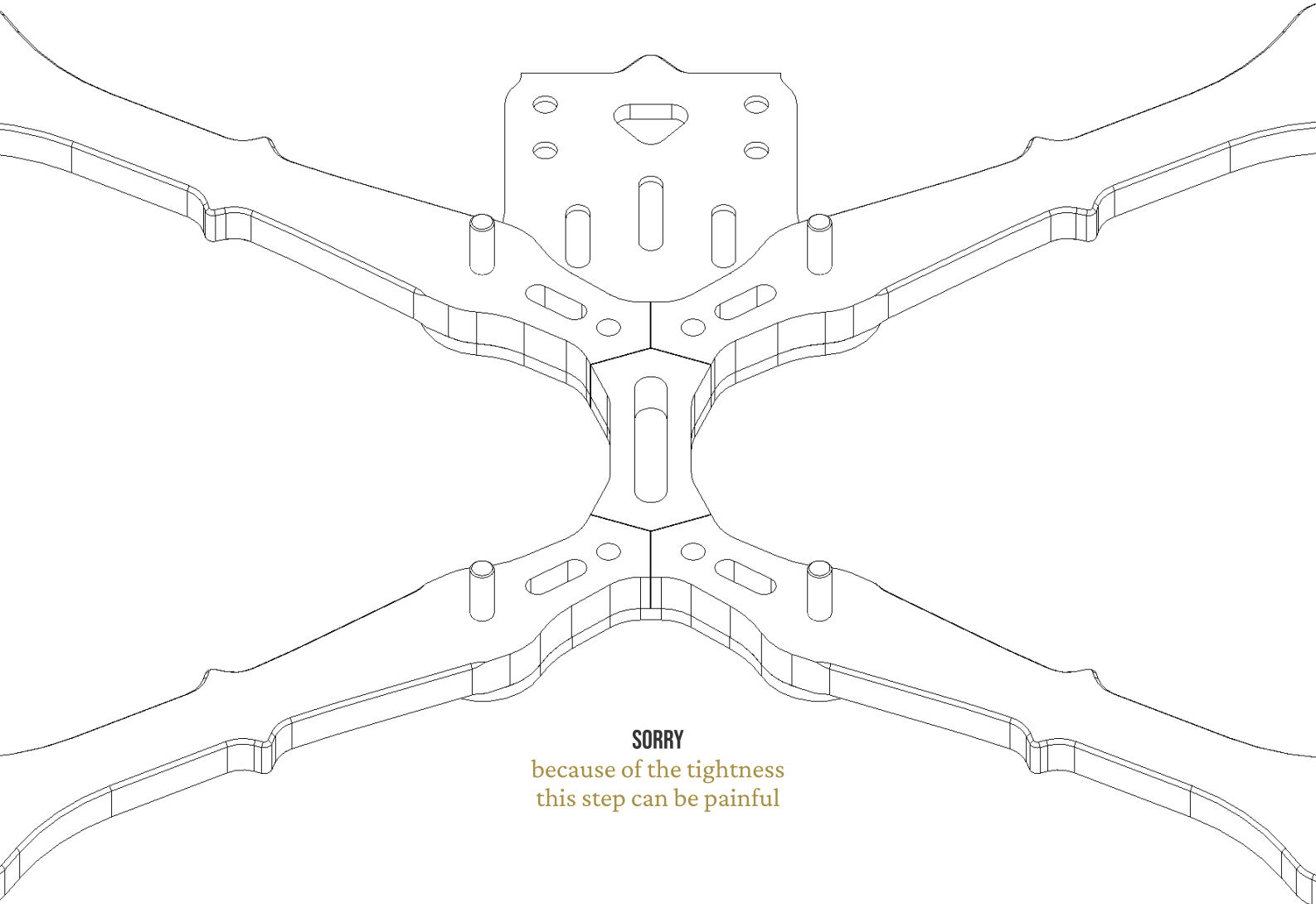
CHOOSE YOUR GEOMETRY BY ROTATING ARMS



SQUISHED



TRUE X



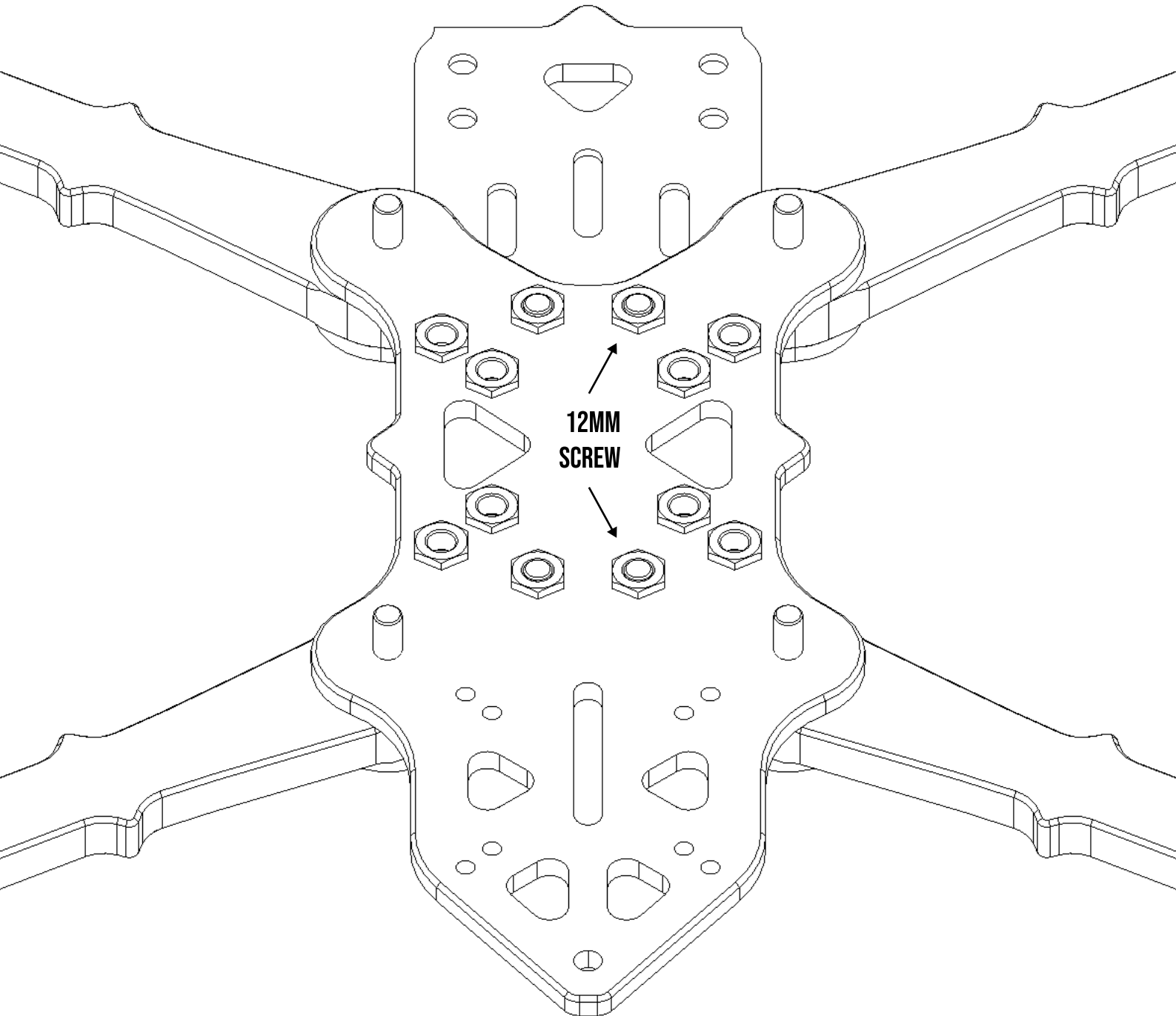
SORRY

because of the tightness
this step can be painful



INSTALL THE MIDDLE PLATE

we encourage you to remove the stack's pressnuts you'll not use to avoid contact with your esc components

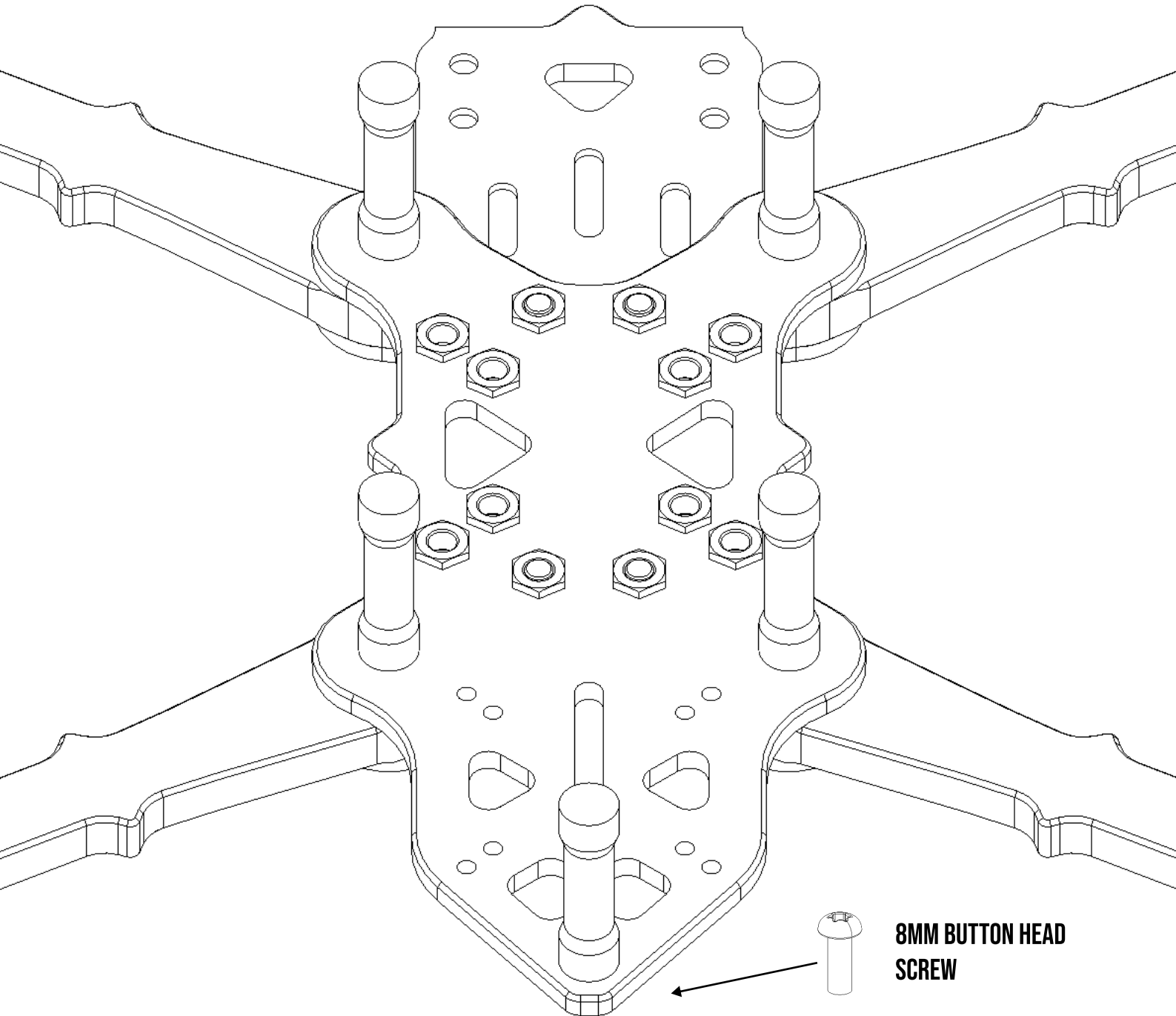


TIPS

you may need to pull the ends of the arms upwards to insert the long screws.



SCREW TO TIGHTEN ALL



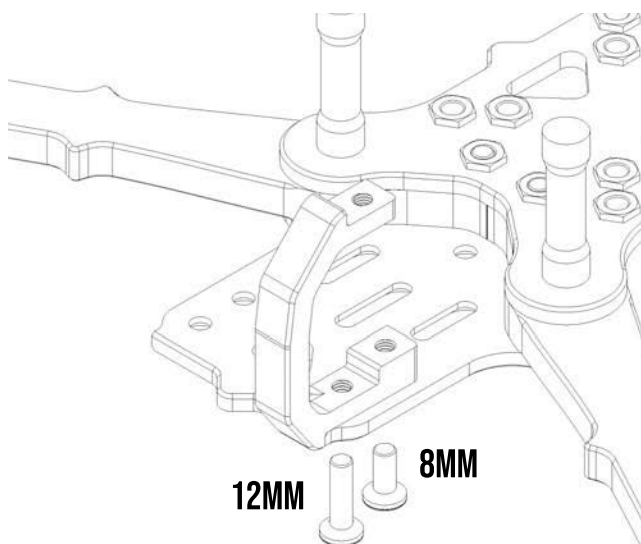
**8MM BUTTON HEAD
SCREW**

TIPS

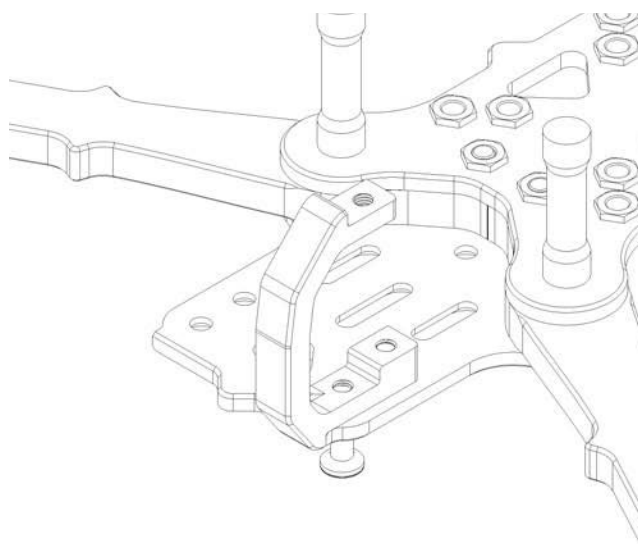
Screw each screw a little at a time.
You don't need to tighten them until you've screwed down the top plate



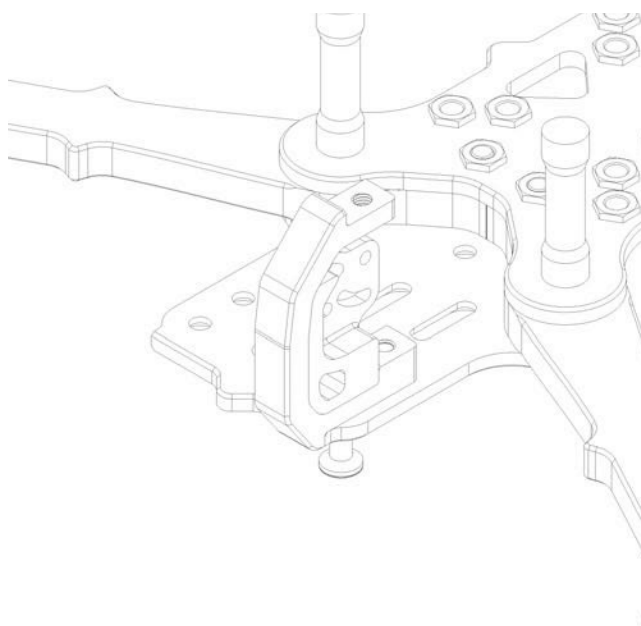
INSTALL THE CAM CAGE



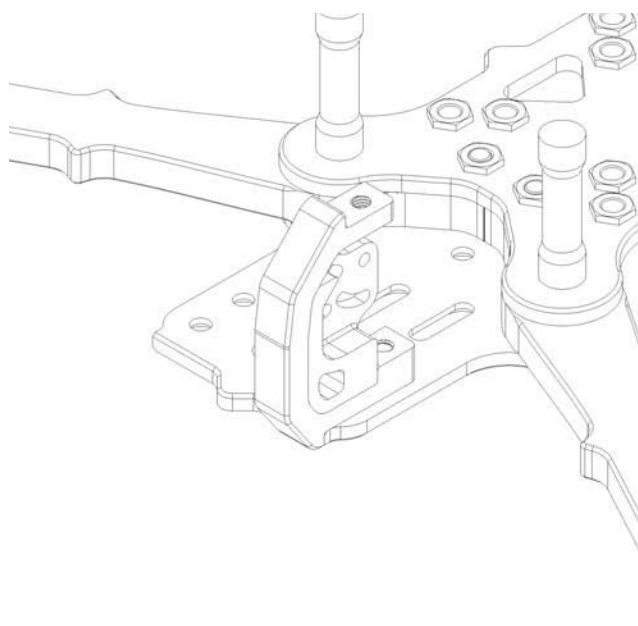
Take a 12mm and a 8mm screw.
place the cage, protuberance down,
reinforcement inwards.



Screw in the 8mm screw at the rear.
Screw in the 12mm screw at the front,
stopping before it protrudes inside the
cage.



Place the tpu holder.
Screw in the 12mm screw while
holding the tpu firmly downwards.

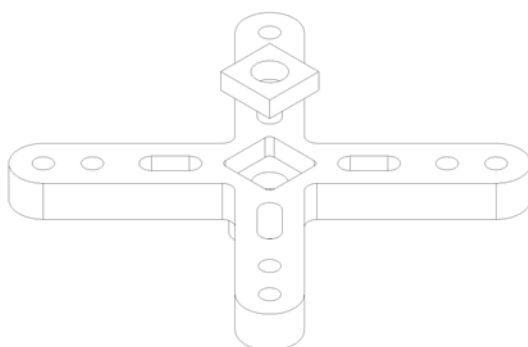


Et voilà!
Repeat with the other side.



INSTALL YOUR VTX SLIDER

INSTALL THE SQUARE NUT



SCREW IN !

WALKSNAIL

20x20

use the shorter M2 screws
provided with your vtx

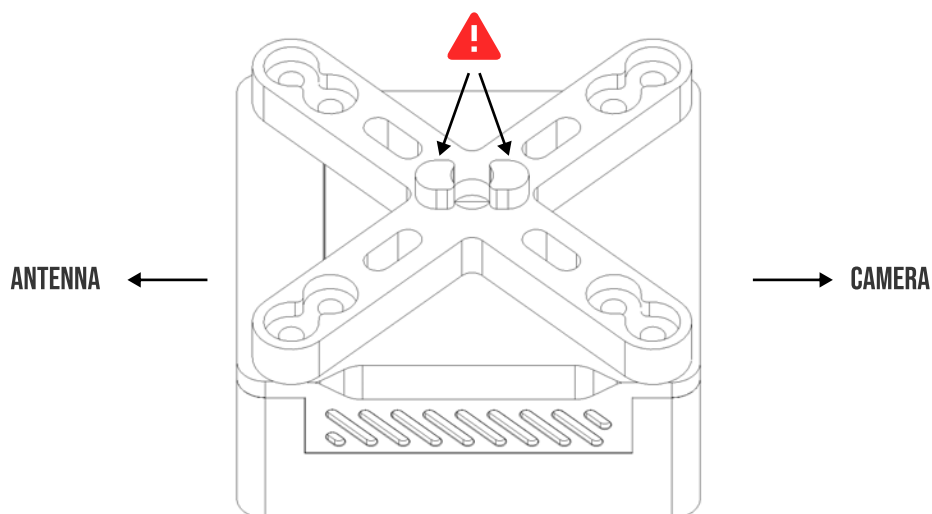
DJI 03

25x25

use our M1.6/8mm screws
preferably on the flat side of
the vtx

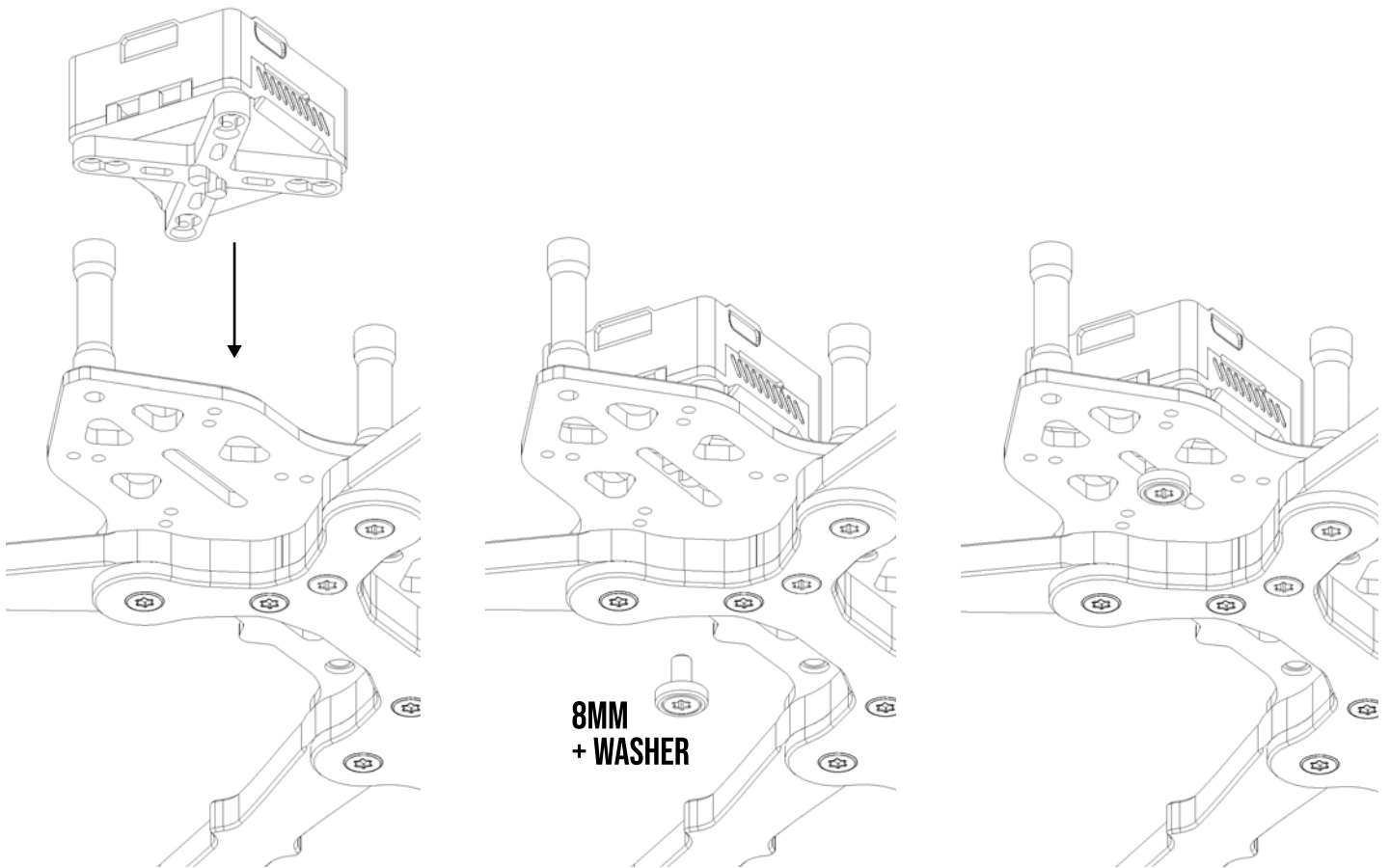
OTHERS

you're on your own,
we trust you !





INSTALL YOUR VTX SLIDER



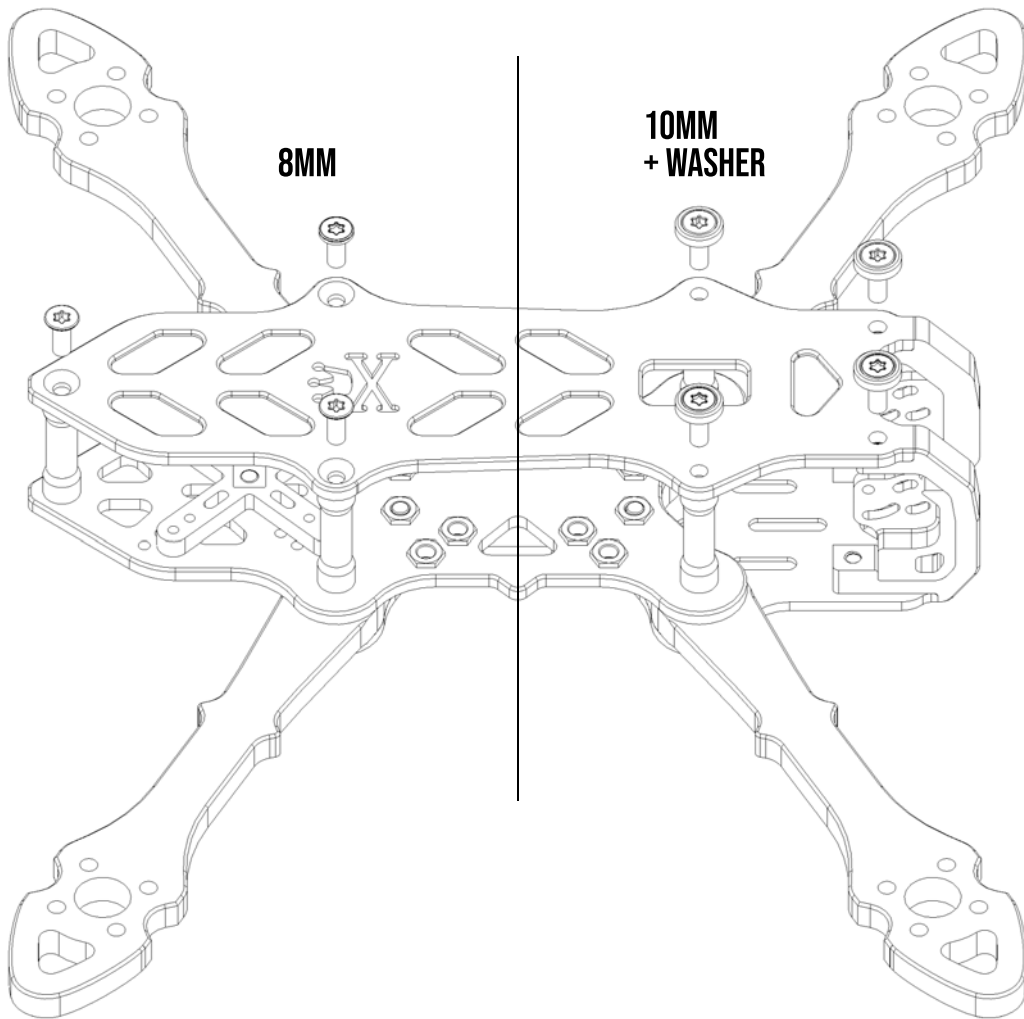
in the right direction,
insert the bottom of the vtx
slider into the slot.

screw in with a 8mm screw
with washer

choose the position
and squeeze



ET VOILÀ !



CHECK THERE FOR MORE TO PRINT

GRABCAD

THINGIVERSE

MERCI.