

## MINIMAN-100

### EXTRACTION ARM

The MiniMan-100 is a compact flexible arm, which is ideal for all types of smaller dust and fume applications.

The arm is fitted with exterior friction joints. The inner tubes are kept in place by a gas spring (standing arm) or a balancing strap (hanging arm). This design ensures smooth movement of the arm.


The MiniMan-100 arm is available in different versions, including ATEX<sup>1</sup>. The specific TopGrade arms have a distinctive colour and are meant for use in clean working environments, such as laboratories.

<sup>1</sup> Approved for use in explosive environments zone 1 and 21; marking Ex II 2G 2D (in accordance with TRGS 727 & ATEX Directive 2014/34/EU)




Image: MiniMan type MM-100-2.1/H

### APPLICATIONS

The standard MiniMan-100 arm (yellow) is intended to be used for the following applications: 

- soldering fumes
- airborne dust
- fumes from solvents
- TIG welding
- MIG-MAG/GMAW welding

The MiniMan-100 TopGrade arm (fully white) is especially suitable for use in laboratories in the pharmaceutical, chemical and food processing industry. 

### SPECIFICATIONS

#### Physical dimensions and properties

|                   |                      |                     |
|-------------------|----------------------|---------------------|
| Diameter          | Ø 100 mm (4 in.)     |                     |
| Material of tubes | aluminium            |                     |
| Colour:           | standard arm         | TopGrade            |
| • tubes           | • yellow<br>RAL 1004 | • white<br>RAL 9010 |
| • hoses           | • black              | • white             |

#### Performance

|                     |   |
|---------------------|---|
| Recommended airflow | 200-450 m <sup>3</sup> /h (118-265 CFM) |
| • min. airflow      | • 200 m <sup>3</sup> /h (118 CFM)       |

#### Conditions of storage and use

|                          |  |
|--------------------------|--|
| Process temperature:     | <ul style="list-style-type: none"> <li>• min. 5°C (41°F)</li> <li>• nom. 20°C (68°F)</li> <li>• max. 70°C (158°F)</li> </ul> |
| Max. relative humidity   | 90%  |
| Suitable for outdoor use | no   |
| Storage conditions       | <ul style="list-style-type: none"> <li>• 5-45°C (41-113°F)</li> <li>• relative humidity max. 80%</li> </ul>                  |

#### Options and accessories

|  |  |
|--|--|
| DAMPER-100   | shut-off valve   |
| <b>MiniMan-100 all types (except for ATEX versions):</b> |  |
| S-100  | manual on/off switch for hood mounting                         |
| LL-5.5/24-100 + TR-24                                    | manual on/off switch, incl. working light; transformer 230/24V |

#### Product combinations

|                         |                     |
|-------------------------|---------------------|
| PA-110/160   PA-220/160 | stanchion + ducting |
| Extraction fan:         | suitable for:       |
| • FUA-2100              | • 2-3 MiniMan arms  |
| • FUA-3000              | • 3-4 MiniMan arms  |
| • FUA-4700              | • 4-5 MiniMan arms  |

#### Scope of supply

Extraction arm (fully assembled) | Mounting bracket

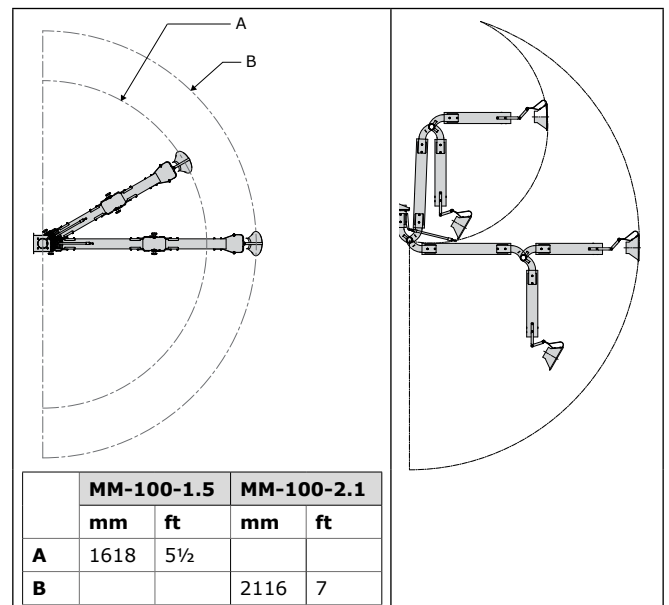
#### Order information

|                |   |
|----------------|---|
| Number/package | 1 |
|----------------|---|

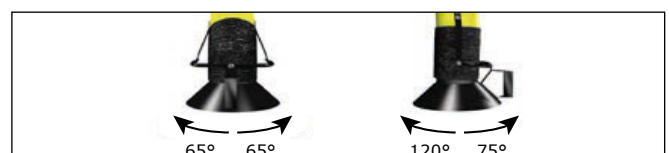
#### Logistics data

|                        |          |
|------------------------|----------|
| Harmonized Tariff Code | 84219990 |
|------------------------|----------|

### WORKING REACH



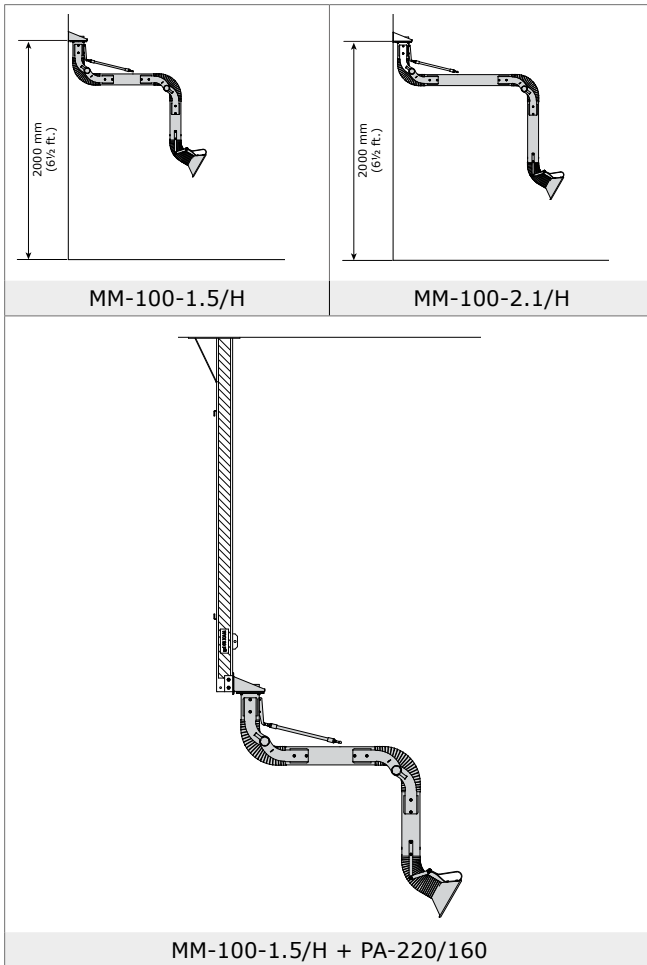
### ARM MOVEMENT



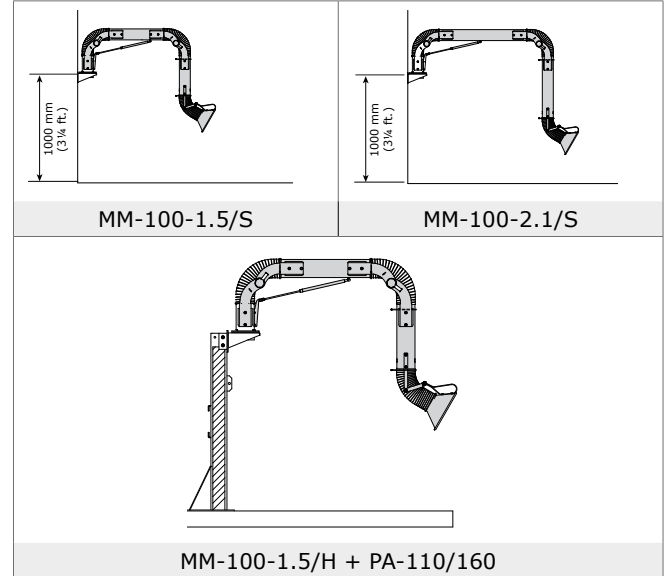
## Remaining specifications

| Type                                      | MM-100-1.5/H                                       | MM-100-2.1/H                                   | MM-100-1.5/H  | MM-100-2.1/H                                   | MM-100-1.5/S                                       | MM-100-2.1/S                                   |
|---|--|--|---|--|--|--|
|   |  |  | ATEX  | ATEX   |  |  |
|   |  |  | Extraction arm in accordance with:<br>TRGS 727 & ATEX directive 94/9/EC |  |  |  |
| <b>Physical dimensions and properties</b> |  |  |   |  |  |  |
| Material of hoses                         | PVC with internal steel spiral;<br>flame-retardant |  | PVC with internal steel spiral;<br>flame-retardant and antistatic       |  | PVC with internal steel spiral;<br>flame-retardant |  |
| Mounting position                         | hanging  | hanging  | hanging   | hanging  | standing   | standing                                       |
| Length (nom.)                             | 1,5 m (5 ft.)                                      | 2,1 m (7 ft.)                                  | 1,5 m (5 ft.)   | 2,1 m (7 ft.)                                  | 1,5 m (5 ft.)                                      | 2,1 m (7 ft.)                                  |
| Weight (net)                              | 9,5 kg (21 lbs.)                                   | 12 kg (26½ lbs.)                               | 9,5 kg (21 lbs.)  | 12 kg (26½ lbs.)                               | 9,5 kg (21 lbs.)                                   | 12 kg (26½ lbs.)                               |
| <b>Order information</b>                  |  |  |   |  |  |  |
| Article no.:                              |  |  |   |  |  |  |
| • yellow arm                              | 0000101109   | 0000101110                                     | 0000101128  | 0000101129                                     | 0000114588   | 0000114587                                     |
| • white arm (TopGrade)                    | 0000101117   | 0000101118                                     | -   | -  | -  | -  |
| <b>Logistics data</b>                     |  |  |   |  |  |  |
| Gross weight                              | 10,5 kg (23 lbs.)                                  | 13 kg (28½ lbs.)                               | 10,5 kg (23 lbs.)   | 13 kg (28½ lbs.)                               | 10,5 kg (23 lbs.)                                  | 13 kg (28½ lbs.)                               |
| Packing dimensions                        | 1200 x 400 x<br>300 mm (47 x<br>15¾ x 11¾ in.)     | 1600 x 500 x<br>300 mm (63 x<br>19½ x 11¾ in.) | 1200 x 400 x<br>300 mm (47 x<br>15¾ x 11¾ in.)                          | 1600 x 500 x<br>300 mm (63 x<br>19½ x 11¾ in.) | 1200 x 400 x<br>300 mm (47 x<br>15¾ x 11¾ in.)     | 1600 x 500 x<br>300 mm (63 x<br>19½ x 11¾ in.) |
| Max. number/pallet                        | 10   | 6  | 10  | 6  | 10   | 6  |

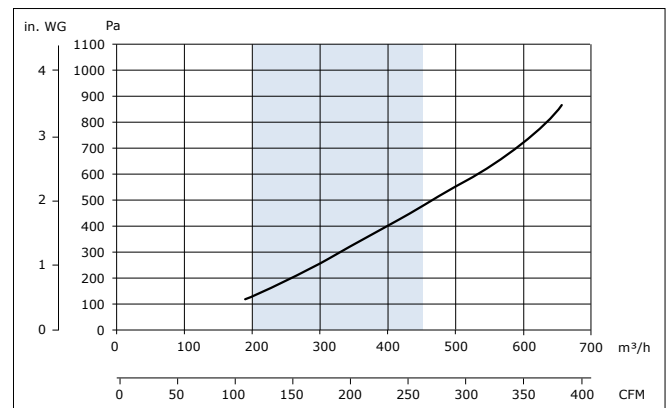
## MOUNTING EXAMPLES "H" TYPES



## MOUNTING EXAMPLES "S" TYPES



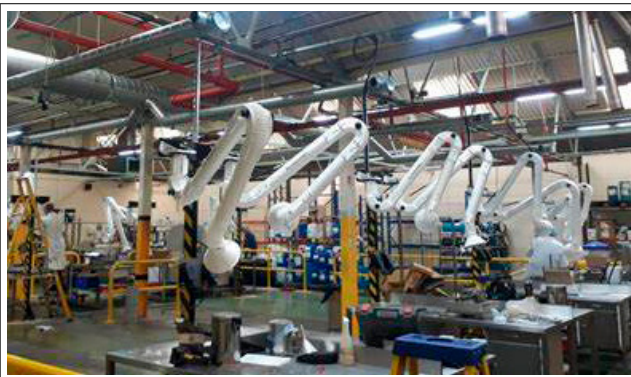
## PRESSURE DROP



## FEATURES & BENEFITS



Exterior friction joints ("ClearThru" design), which allows for maximum air velocity, low pressure drop and low noise level



Special TopGrade version, especially for clean working environments

### Application restrictions

Do **not** use the product in combination with a filter for the following applications or in the following circumstances: polishing applications in combination with grinding, welding or any other application that generate sparks (fibres from polishing or abrasive flap disks are highly flammable and pose a high risk of filter fires when exposed to sparks) | aluminium laser cutting | oil mist | heavy oil mist in welding fume | arc-air gouging | extraction of aggressive fumes and gases (e.g. from acids, from alkaline, from soldering paste containing lithium) | extraction of hot gases (more than 70°C/158°F continuously) | grinding aluminum and magnesium | flame spraying | extraction of cement, saw dust, wood dust etc. | sucking cigarettes, cigars, oiled tissues and other burning particles, objects and acids | explosive environments or explosive substances/gases



Product type  
Article no.  
Product category  
Version

**MiniMan-100**  
*refer to Order information*  
extraction arms  
141222/B

Always check the latest version on [www.plymovent.com](http://www.plymovent.com)