

KUA

FLEXIBLE EXTRACTION ARM

Ball bearing extraction arm with external middle hinge. The hood has a safety mesh and a damper. The arm is 360° rotatable.

The KUA arm is available in four different types:

- type **H**: for hanging mounting (wall bracket included)
- type **S**: for standing mounting (e.g. on a mobile unit)
- type **ATEX**: approved for use in explosive environments Zone 22; marking EX II 3D (for hanging mounting only)
- type **H-D**: for hanging mounting, with sealed shut-off damper



APPLICATIONS

The KUA is intended to be used for the following applications:

- MIG-MAG/GMAW welding
- TIG welding
- FCAW welding
- stick/MMAW welding



SPECIFICATIONS

■ Physical dimensions and properties	
Diameter:	<ul style="list-style-type: none"> • tubes: Ø 160 mm (6.3 in.) • hood opening: Ø 300 mm (11.8 in.)
Material of tubes	aluminium
Material of hoses:	<ul style="list-style-type: none"> • types H and S: PVC with spring steel wire • type ATEX: polyethylene with spring steel wire
Colour:	<ul style="list-style-type: none"> • tubes: yellow RAL 1004 • hoses: black
■ Performance	
Recommended airflow	800-1200 m³/h (470-710 cfm)
■ Ambient and process conditions	
Process temperature:	<ul style="list-style-type: none"> • min.: 5°C (41°F) • nom.: 20°C (68°F) • max.: 70°C (158°F)
Max. relative humidity	90%
Outdoor use allowed	no
Storage conditions	<ul style="list-style-type: none"> • 5-45°C (41-113°F) • relative humidity max. 90%
■ Options and accessories	
KUA all types (except for ATEX versions)	
S-100	manual on/off switch for hood mounting
HL-20/24-160	manual on/off switch, incl. working light
■ Product combinations	
KUA-2/H 3/H 4/H (incl. ATEX versions)	

FUA-1800 FUA-2100	extraction fan
FM-15 FM-25 FM-35 FM-45	extension crane
ERC	extraction rail
PA-110 PA-220	stanchion
SLE-30	extension hose
KUA-2/S 3/S 4/S	
MobilePro	mobile fume extractor
■ Scope of supply	
<ul style="list-style-type: none"> • H types: extraction arm (in parts) – Wall bracket • S types: extraction arm (in parts) 	
■ Order information	
Number/package	1
■ Shipping data	
Harmonized Tariff Code	84219990

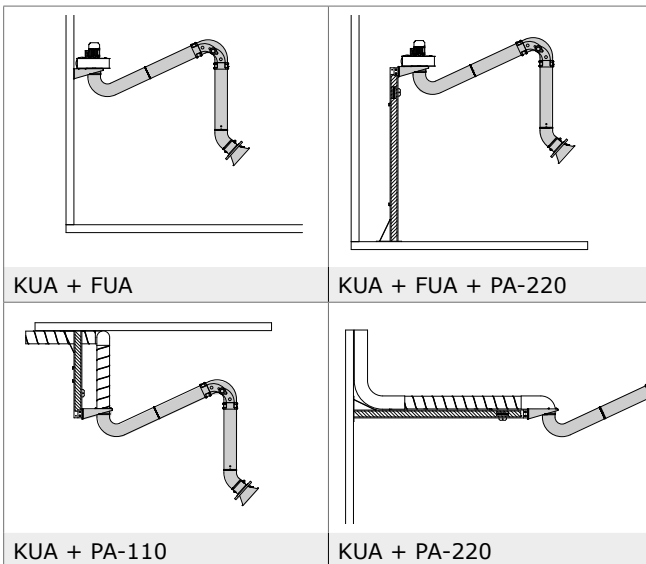
WORKING REACH

	KUA-2/H	KUA-3/H	KUA-4/H
A	455 mm (1.5 ft)	950 mm (3.1 ft)	1250 mm (4.5 ft)
B	min. 1030 mm (3.4 ft)	min. 1335 mm (4.4 ft)	min. 1525 mm (5.0 ft)
C	max. 2500 mm (8.2 ft)	max. 3350 mm (11 ft)	max. 4040 mm (13.3 ft)

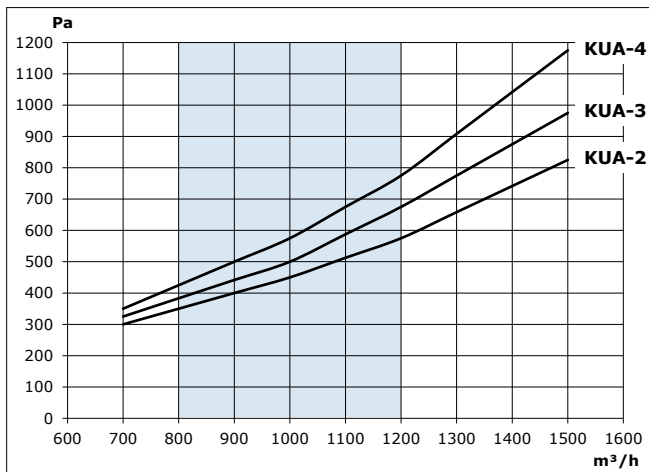
Remaining specifications

	KUA-2/H	KUA-2/S	KUA-3/H	KUA-3/S	KUA-4/H	KUA-4/S
Physical dimensions and properties						
Length	2 m (6.6 ft)	2 m (6.6 ft)	3 m (9.8 ft)	3 m (9.8 ft)	4 m (13.1 ft)	4 m (13.1 ft)
Weight (net)	18,5 kg (40.8 lbs)	14 kg (30.9 lbs)	21 kg (46.3 lbs)	16 kg (35.3 lbs)	22 kg (48.5 lbs)	17 kg (37.5 lbs)
Order information						
Art. no.	0000101154	0000101168	0000101157	0000101170	0000101160	0000101173
Art. no. (ATEX)	0000101176	-	0000101178	-	0000101180	-
Art. no. (H-D)	0000101164	-	0000101165	-	0000101166	-
Shipping data						
Gross weight	20 kg (44.1 lbs)	16 kg (35.3 lbs)	21,5 kg (47.4 lbs)	19,5 kg (43.0 lbs)	23 kg (50.7 lbs)	21 kg (46.3 lbs)
Packing dimensions	1200 x 300 x 390 mm (47.2 x 11.8 x 15.4 in.)		2100 x 300 x 500 mm (82.7 x 11.8 x 19.7 in.)		2100 x 300 x 500 mm (82.7 x 11.8 x 19.7 in.)	

MOUNTING POSSIBILITIES "H" TYPES



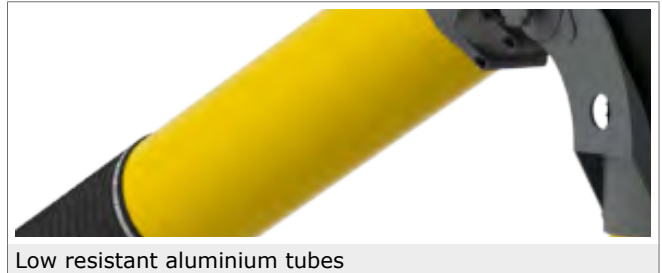
PRESSURE DROP



Application restrictions

Do **not** use the product for the following applications or in the following circumstances: polishing applications in combination with grinding, welding or any other application that generate sparks (fibres from polishing or abrasive flap disks are highly flammable and pose a high risk of filter fires when exposed to sparks) | aluminium laser cutting | oil mist | heavy oil mist in welding fume | arc-air gouging | extraction of aggressive fumes and gases (e.g. from acids, from alkaline, from soldering paste containing lithium) | extraction of hot gases (more than 70°C/158°F continuously) | grinding aluminum and magnesium | flame spraying | extraction of cement, saw dust, wood dust etc. | sucking cigarettes, cigars, oiled tissues and other burning particles, objects and acids | explosive environments or explosive substances/gases

FEATURES & BENEFITS



Product type

KUA

Article no.

refer to Order information

Product category

extraction arms

Version

120617/D

Always check the latest version on www.plymovent.com