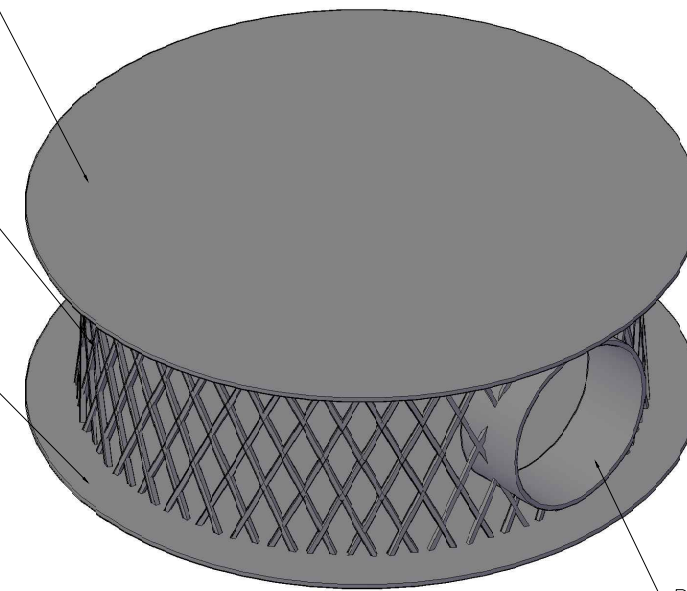


TOP VIEW
SCALE 1:40

STEEL PLATE 12GA

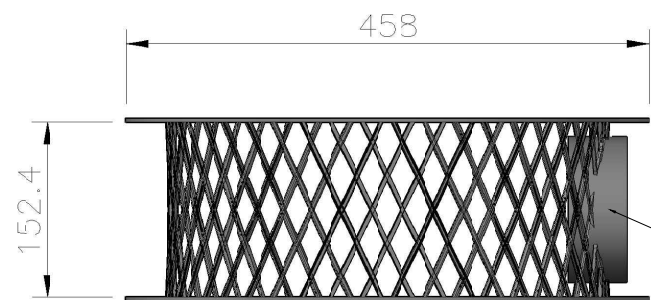
TUBULAR MESH CAGE

STEEL PLATE 12GA



PIPE ϕ 5" (PIPE SLEEVE)

CAGE 3D VIEW (N.T.S)



FRONT VIEW
SCALE 1:40

PIPE ϕ 5" (PIPE SLEEVE)

SUB SLAB
MEMBRANE

CONCRETE SLAB

LABEL

RADON

VENT PIPE ϕ 4"

RADON

MIN. DISTANCE 300mm

100 mm(Typ)

GRAVEL

CAGE

TYPICAL INSTALLATION (N.T.S)

NOTES:

1. THE ENTIRE CAGE IS MADE OF GALVANIZED STEEL.
2. ALL DIMENSIONS IN (MM) UNLESS OTHERWISE SPECIFIED.
3. IMPROVED SUCTION PIT DESIGN AS PER "RADON PREVENTION IN THE DESIGN AND CONSTRUCTION OF SCHOOLS AND OTHER LARGE BUILDINGS 1994".

REV.	DESCRIPTION	DATE	REV.	APR.	CUST.
					RADON WEST
REVISION:	C.D.		DRAWN:	HP	FILE:
DATE:	12-OCT-2016		REVISION DATE:	18/OCT/16	PLOT SCALE:
DESIGN:	COLIN DUMAIS	PROJECT #:	XXX-XX-XX		
		PROJECT #:	XXX-XX-XX		



2014 ABC SUCTION PIT CAGE SMALL
CAGE - UP TO 10,000 FT2 / 950 M2