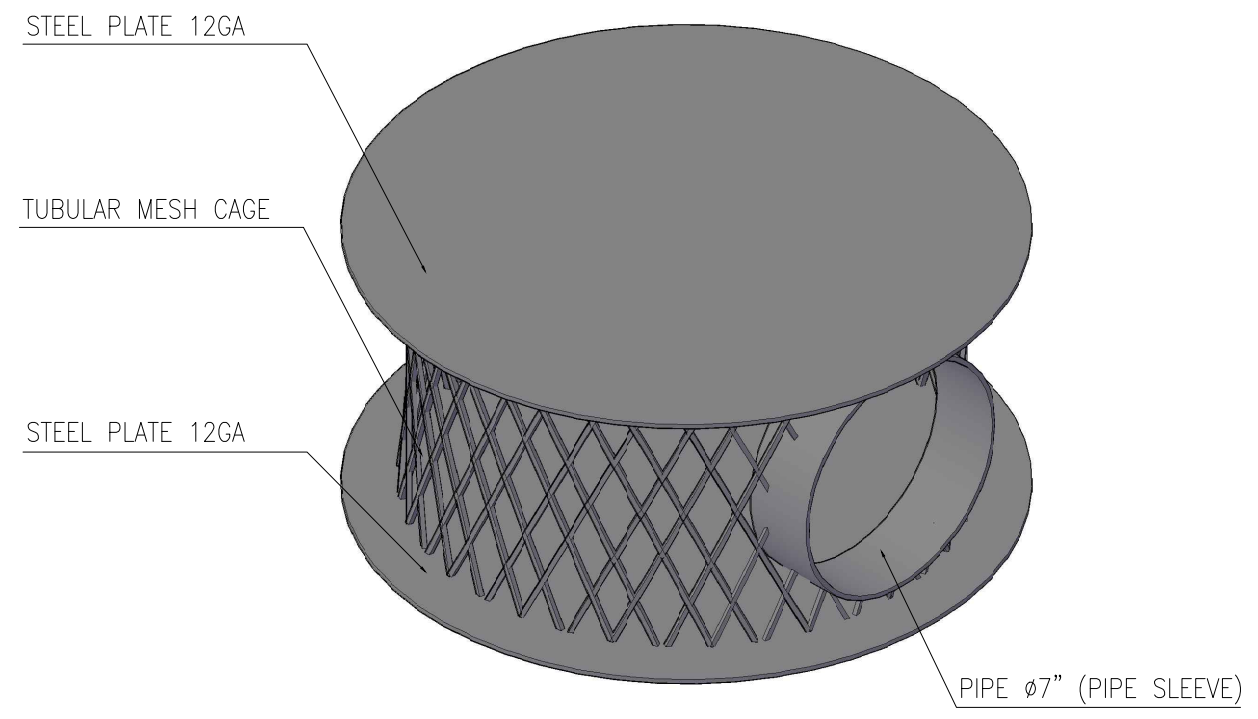
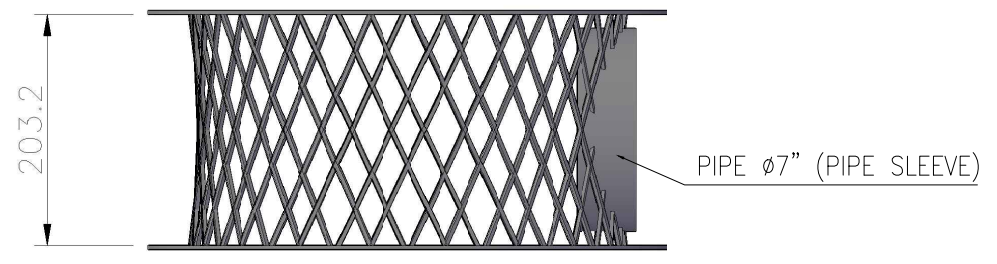


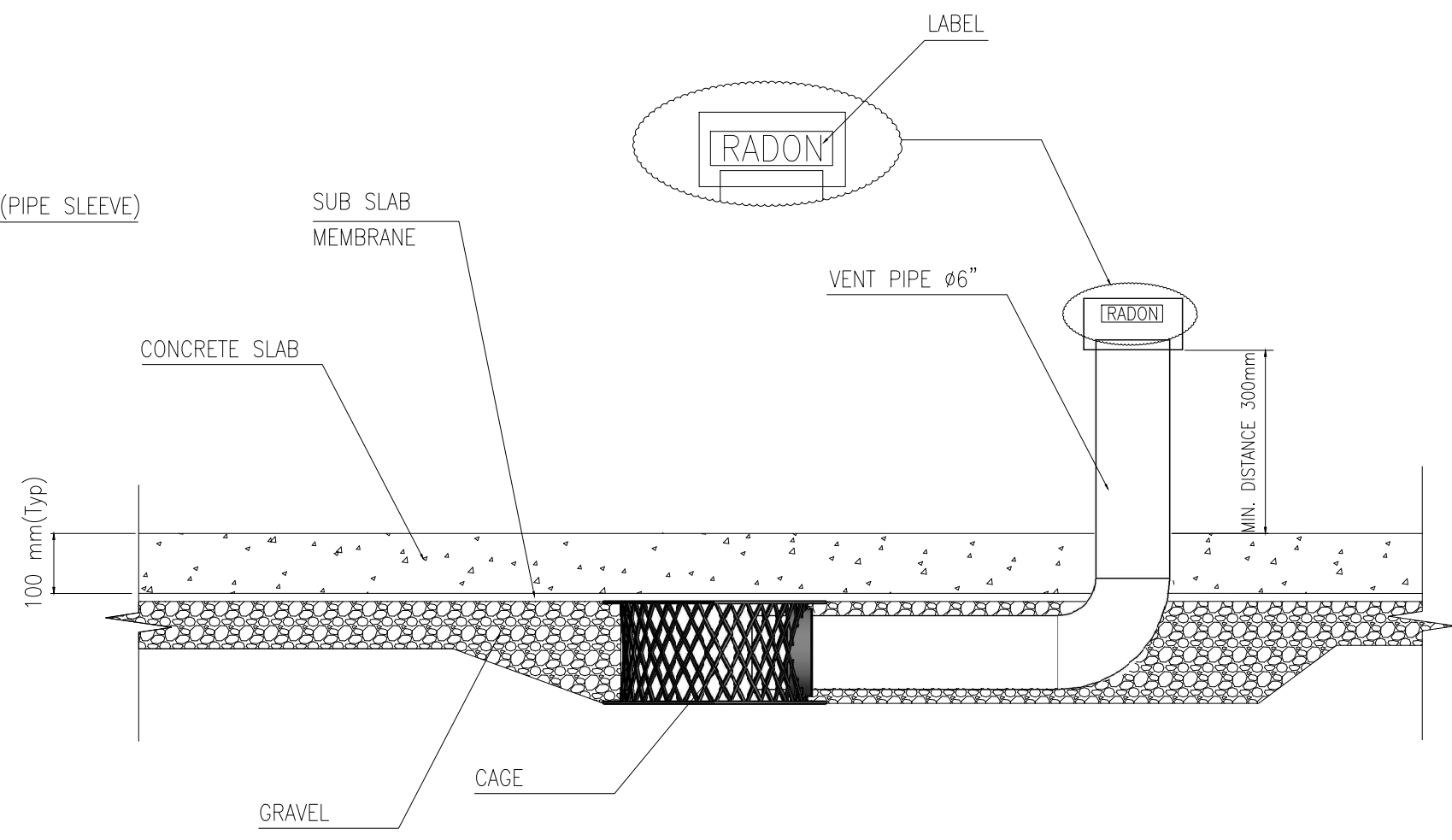
TOP VIEW
SCALE 1:40



CAGE 3D VIEW (N.T.S)



FRONT VIEW
SCALE 1:40



TYPICAL INSTALLATION (N.T.S)

- NOTES:
1. THE ENTIRE CAGE IS MADE OF GALVANIZED STEEL.
 2. ALL DIMENSIONS IN (MM) UNLESS OTHERWISE SPECIFIED.
 3. IMPROVED SUCTION PIT DESIGN AS PER "RADON PREVENTION IN THE DESIGN AND CONSTRUCTION OF SCHOOLS AND OTHER LARGE BUILDINGS 1994".

REV.	DESCRIPTION	DATE	REV.	APR.	CUST.
					RADON WEST
REVISION:	C.D.	DATE:	HP	FILE:	
		12-OCT-2016	18/OCT/16	PLOT SCALE:	1:1
DESIGN:	REV NUMBER:	CUSTOMER:	PROJECT #:		
COLIN DUMAIS	XXX-XXX-AB-XXXX	-	XXX-XX-XX		
PROJECT:					



2014 ABC SUCTION PIT CAGE MEDIUM
CAGE - UP TO 20,000 FT2 / 1,850 M2