

# JACKEL™

Trusted Since 1972

## The Original Radon / Sump Dome™

Model: SMR16101-B



Made in the USA



The Original Radon / Sump Dome™ was invented to serve two pressing needs; the need for a universal gas-tight cover to serve the emerging radon mitigation market and the need for a cover to retrofit failing sump and sewage basin covers.

The Original Radon / Sump Dome™ is designed to cover an existing basin, providing a new heavy duty cover to seal the basin against odors and radon gas and to provide adequate safety. There is no reason to dig up your basement or garage floor to remove the existing sump or sewage basin. Simply remove old cover and install The Original Radon / Sump Dome™ over the opening, to create a new, completely sealed system.

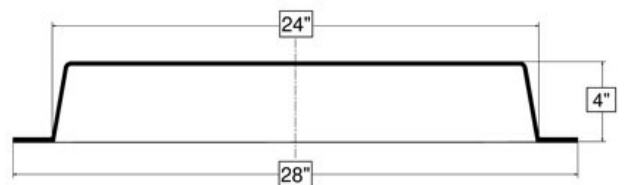
### Specifications

- **Material:** Polyethylene Structural Foam
- **Seal:** Flexible Polyvinyl Chloride (PVC)
- **Washers and Bolts:** 301 Stainless Steel
- **Fasteners:** 301 Stainless Steel

### Features and Benefits

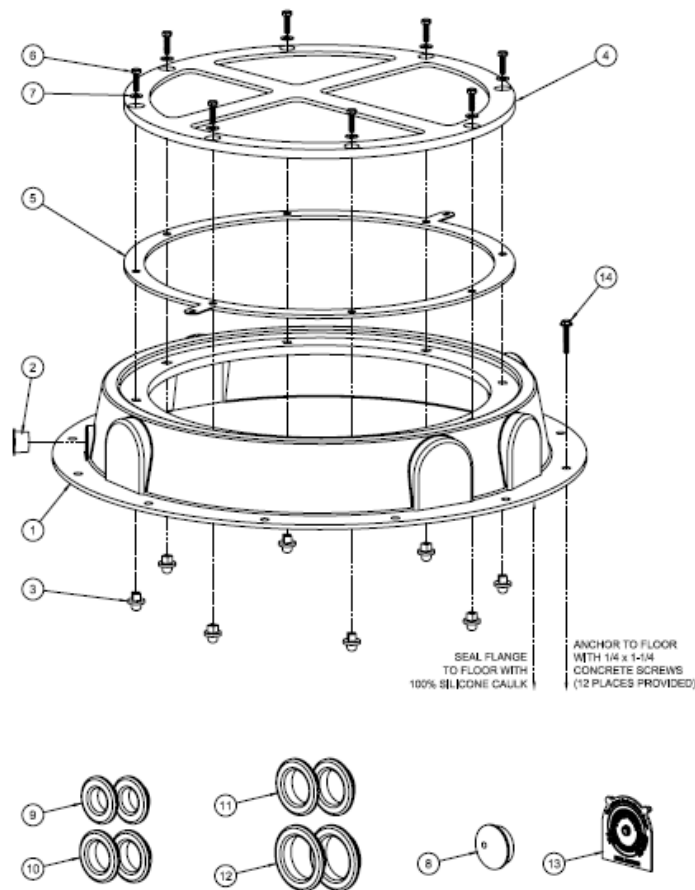
- Passive radon mitigation
- Retro fit/repair old, failing sump or sewage basin covers
- Universal, fits over all installed basins
- Improve safety; children and pets
- Property transfers and rentals
- Eliminates odors, gas-tight seal
- Easy to install
- Top discharge and vent
- Easily supports 1,000 lbs.
- Heavy duty injection molded structural foam construction
- Comes with the Jackel SF16101 T-Top™ structural foam solid cover, 8-bolt
- 1-1/2" pump discharge flange, slip connection, ABS
- 3" vent flange, threaded connection, ABS
- Weight: 15 lbs.
- Available with our SF16101 or SF114 covers

### Dimensions



# The Original Radon / Sump Dome™

## Parts List



Item	Qty.	Description
1	1	Dome Riser
2	1	Drain Plug
3	8	14-20 Nylon Enclosed Nut
4	1	SF16101-B Cover
5	1	Seal 18-8
6	8	1/4-20 x 1 HHC-SS
7	8	1/4" Flat Washer SS
8	1	One Hole Cord Grommet, 2"
9	2	E100H Rubber Hub for 1" Pipe
10	2	E125H Rubber Hub for 1-1/4" Pipe
11	2	E150H Rubber Hub for 1-1/2" Pipe
12	2	E200H Rubber Hub for 2" Pipe
13	1	Drill Locator
14		1/4 x 1-1/4 Concrete Screws (user supplied, not included)

**User Supplied Materials:** PVC pipe and fittings to reconnect plumbing, PVC saw, PVC primer and cement, 1/4" x 1-1/4" concrete screws, 3/16" inch masonry drill bit, 5/16" socket wrench (for concrete screws), electric drill, one cartridge of 100% silicone caulk (10 oz.), caulking gun and a 7/16" socket wrench (for cover bolts). A vent fan and piping for an active sump pit depressurization system.

## Installation Guidelines

The Dome comes pre-assembled (items 1 - 3). You will need to make the necessary discharge, inlet, vent and electrical openings in the bosses located in the side of the Dome using the hubs provided (items 8 - 12).

1. Disconnect the pump's plumbing and electrical connections allowing for reconnection after the Dome and cover are installed.
2. Ensure that the installation floor is clean and smooth. Repair any holes or cracks.
3. Place the Dome and cover in the desired position on the floor making sure to align the bosses in the side of the Dome with the planned locations of the system's discharge, inlet, vent and electrical openings.
4. Mark the concrete anchor locations and set the Dome and cover aside.
5. Drill holes at these locations for the concrete screws according to the screw manufacturer's recommendations.
6. Make the openings required in the bosses in the side of the Dome with the hole saws using the Drill Locator (item 13) and the hole saw guide for hub installation. Install the hubs and grommet required from those provided (items 8 - 12).
7. Apply the entire cartridge of silicone caulk to the underside of the Dome's lower flange, return the Dome to the desired location and anchor to the floor (item 14).
8. Reinstall the pump making the necessary discharge and electrical connections. Make sure any additional inlet connections required.
9. Install the cover on the Dome.
10. Vent the system pursuant to the local plumbing codes and accepted plumbing practices.