

Rn 4EC-4 Inline Radon Fan

Item Number: 99923

Variant: 120V 1~ 60Hz



- Use for **High Suction, High Airflow** applications
- Equipped with EC Motor
- Speed Control Included
- LDVI™ Couplings Included
- Airtight Housing Guaranteed
- Large Electrical Box
- Zero Leakage

Active radon mitigation systems employ specialized fans to exhaust radioactive radon gas from underneath building structures via a sealed pipe system. These systems are designed to remove radon gas before it migrates into the building envelope.

As the most powerful model in Fantech's family of Radon Mitigation fans, the **Rn4EC** can create 4.3" of suction while moving 20 cfm, as well as move 490 cfm when operating at only 0.5" of suction. High air flow, high suction.

Rn4EC features an electronically commutated (EC) motor. Inherently efficient and operationally stable at full and reduced speeds, the EC motor arms the radon professional with installation methods not previously practical. Integrated control system allows for "dialling in" the fan speed necessary to achieve either the required sub-slab depressurization or required system air flow rate. For demand-controlled systems, the potentiometer can be removed from the wiring terminal block to accommodate an externally-provided 0-10Vdc speed command. The **Rn 4-4EC** is constructed with UL certified, UV protected polycarbonate material. The inlet and outlet pieces of the fan's housing are vibration welded for 100% leak-proof housing construction. Totally enclosed motors are designed with extra moisture protection in various radon applications. Performance certified by **HVI**; safety certified by **UL**.



Technical parameters

Nominal data		
Voltage (nominal)	120	V
Frequency	60	Hz
Phase(s)	1~	
Input power	169	W
Input current	2.1	A

Impeller speed	4 084	r.p.m.
Air flow	max 262	L/s

Protection/Classification

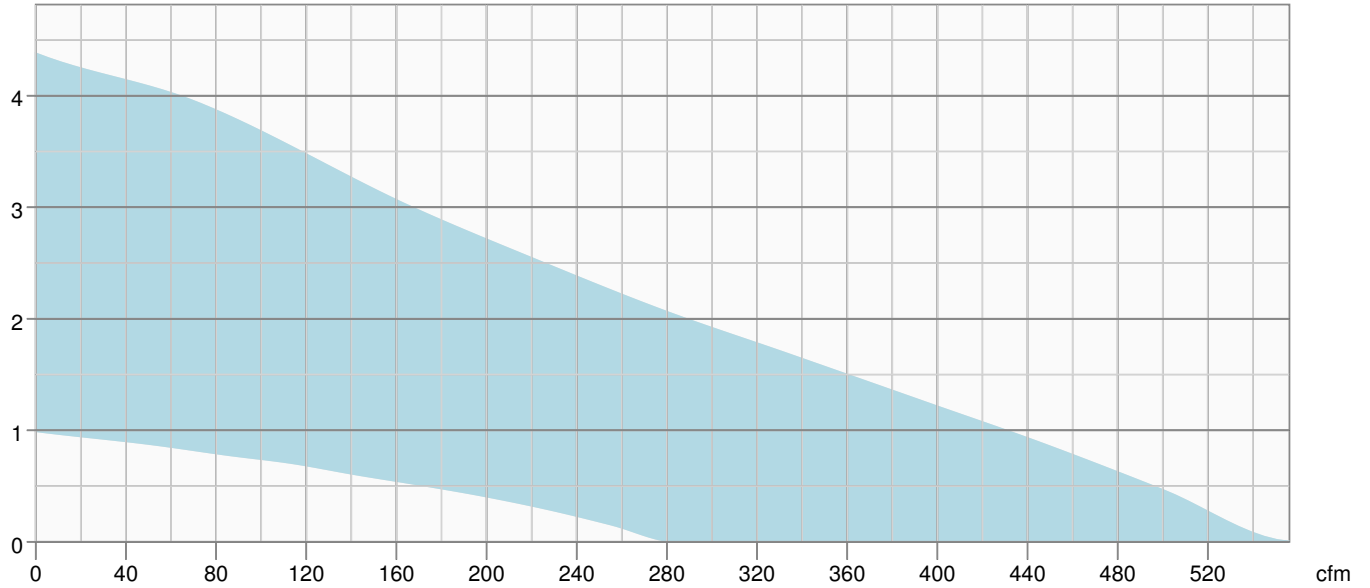
Enclosure class, motor	IP54
Insulation class	B
Certificate	HVI, cULus

Dimensions and weights

Weight	7.3	lb
--------	-----	----

Performance curve

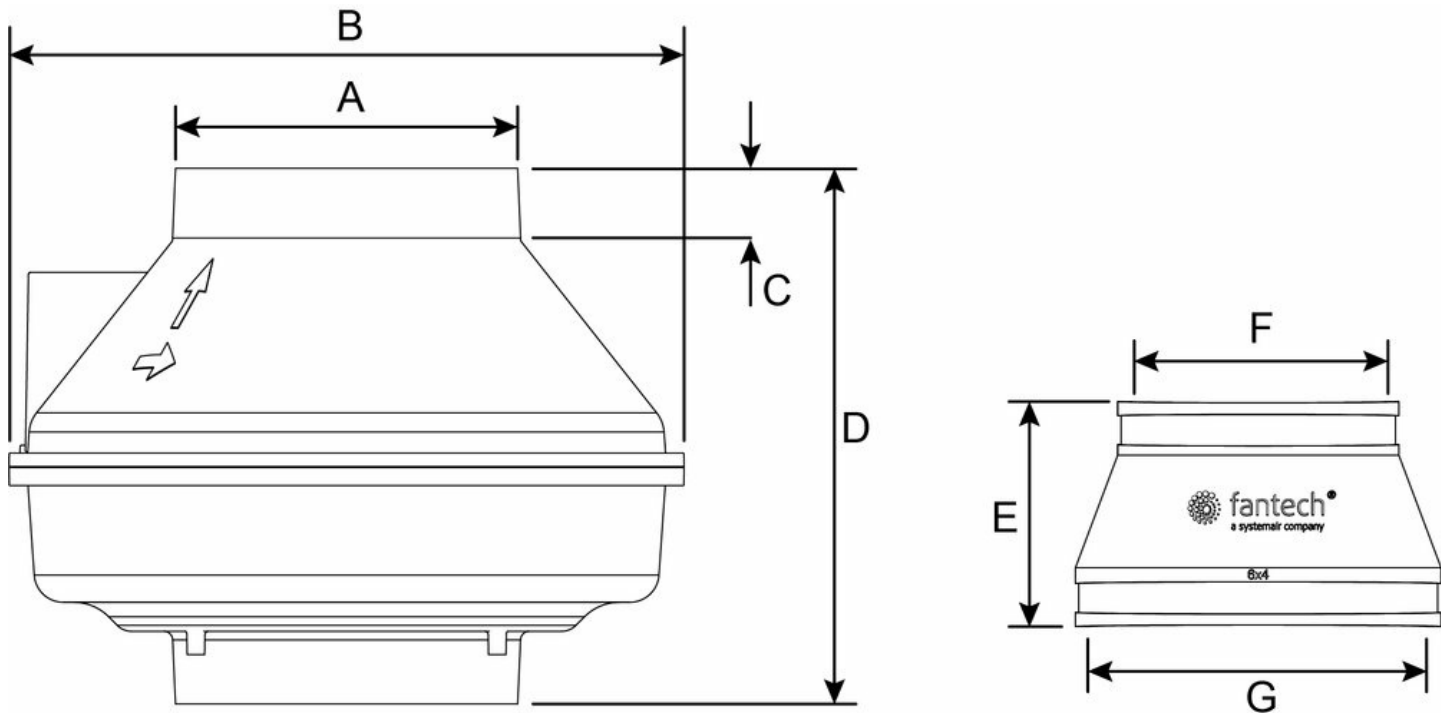
in. wg.



Hydraulic data

Required air flow	-
Required static pressure	-
Working air flow	-
Working static pressure	-
Air density	0.075 lb/ft ³
Power	-
Fan control - RPM	-
Current	-
SFP	-
Control voltage	-
Supply voltage	-

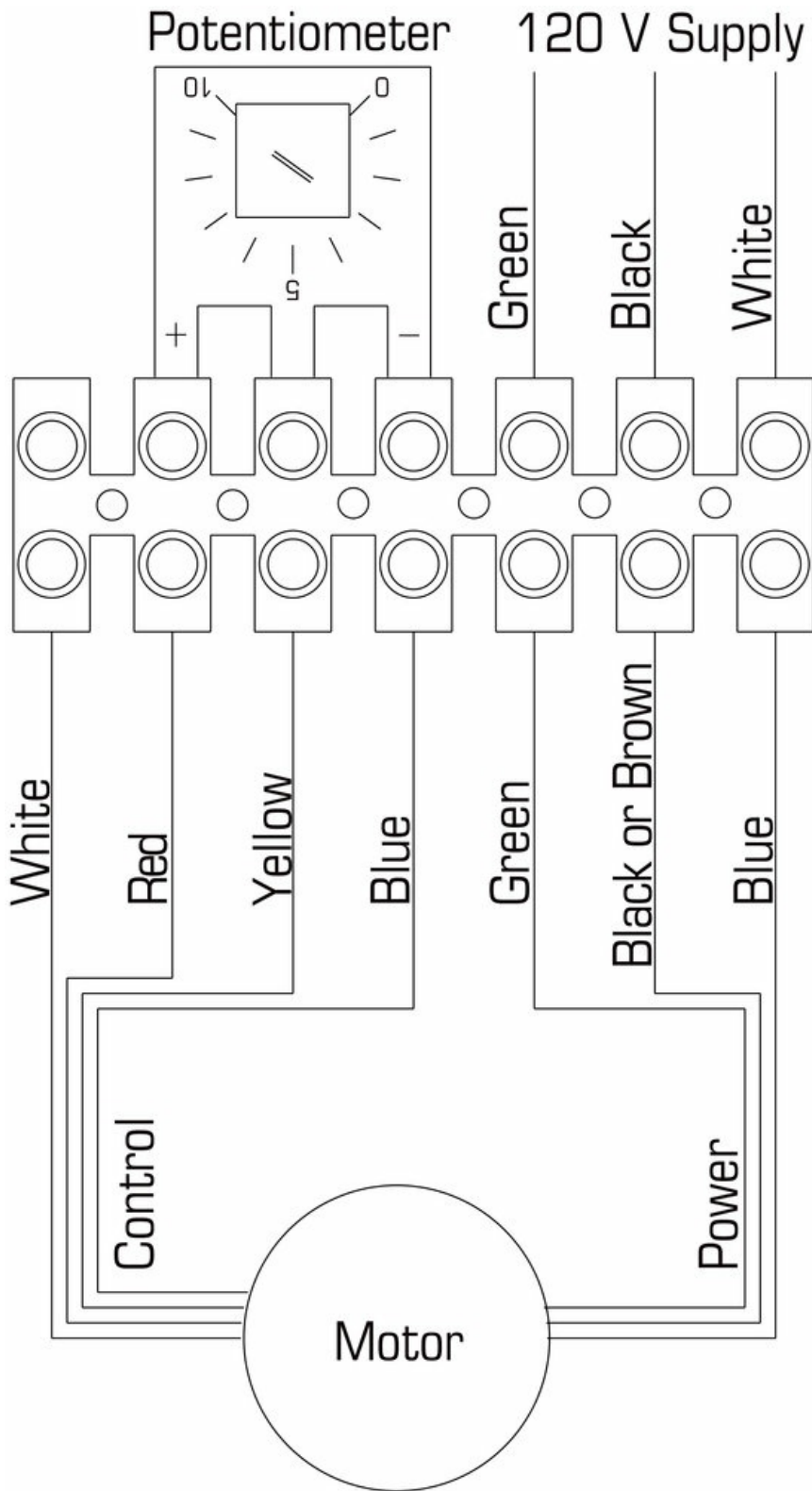
Dimensions



Model	A	B	C	D	E	F	G
Rn2EC	4 15/32 (114)	10 (254)	1 1/4 (32)	9 1/4 (235)	-	-	-
Rn4EC-3	5 7/8 (149)	11 1/2 (292)	1 1/4 (32)	9 1/4 (235)	4 (102)	3 1/2 (89)	6 (152)
Rn4EC-4	5 7/8 (149)	11 1/2 (292)	1 1/4 (32)	9 1/4 (235)	4 (102)	4 1/2 (114)	6 (152)

Dimensions in inches (mm).

Wiring



Documents

- 142001 Rn2EC-Rn4-EC OIPM EN FR.PDF