

# Rn 2EC Inline Radon Fan

4.5" pipe, plastic housing, 2.0" max SP, built-in control

Item Number: [99927](#)



- Use for **Medium Suction, LowAirflow** applications
- Equipped with EC Motor
- Speed Control Included
- Airtight Housing Guaranteed
- Large Electrical Box
- Zero Leakage

Active radon mitigation systems employ specialized fans to exhaust radioactive radon gas from underneath building structures via a sealed pipe system. These systems are designed to remove radon gas before it migrates into the building envelope.

The **Rn2EC** is ideally tailored performance curve for a vast majority of your mitigations that require medium air flow and suction.

**Rn2EC** features an electronically commutated (EC) motor. Inherently efficient and operationally stable at full and reduced speeds, the EC motor arms the radon professional with installation methods not previously practical. Integrated control system allows for “dialling in” the fan speed necessary to achieve either the required sub-slab depressurization or required system air flow rate. For demand-controlled systems, the potentiometer can be removed from the wiring terminal block to accommodate an externally-provided 0-10Vdc speed command. The **Rn2EC** is constructed with UL certified, UV protected polycarbonate material. The inlet and outlet pieces of the fan’s housing are vibration welded for 100% leak-proof housing construction. Totally enclosed motors are designed with extra moisture protection in various radon applications. The fan can be mounted both indoor, outdoor and in wet locations.

To simplify installation, use FRIK4x3 or FRIK4x4.

Performance certified by HVI; safety certified by UL.



## Technical parameters

Nominal data		
Frequency	60	Hz
Input power	53	W
Input current	1.05	A
Impeller speed	2 950	r.p.m.

**Protection/Classification**

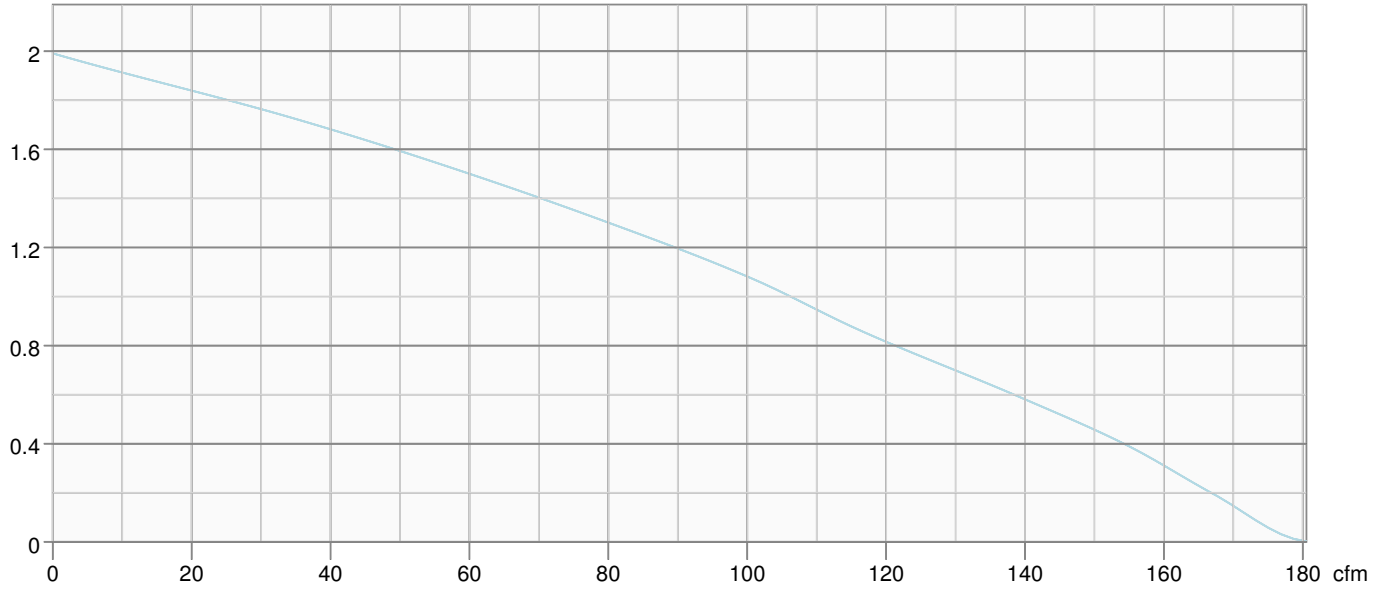
Enclosure class, motor	IP54
Insulation class	B
Certificate	cULus, HVI

**Dimensions and weights**

Weight	6.8 lb
--------	--------

## Performance curve

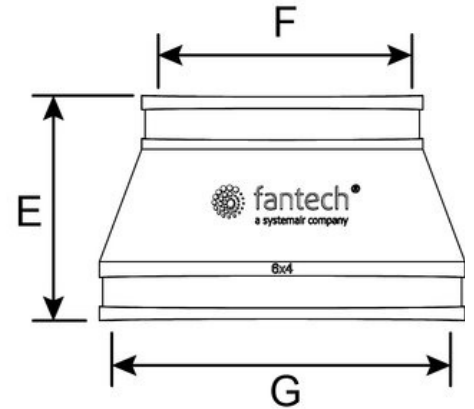
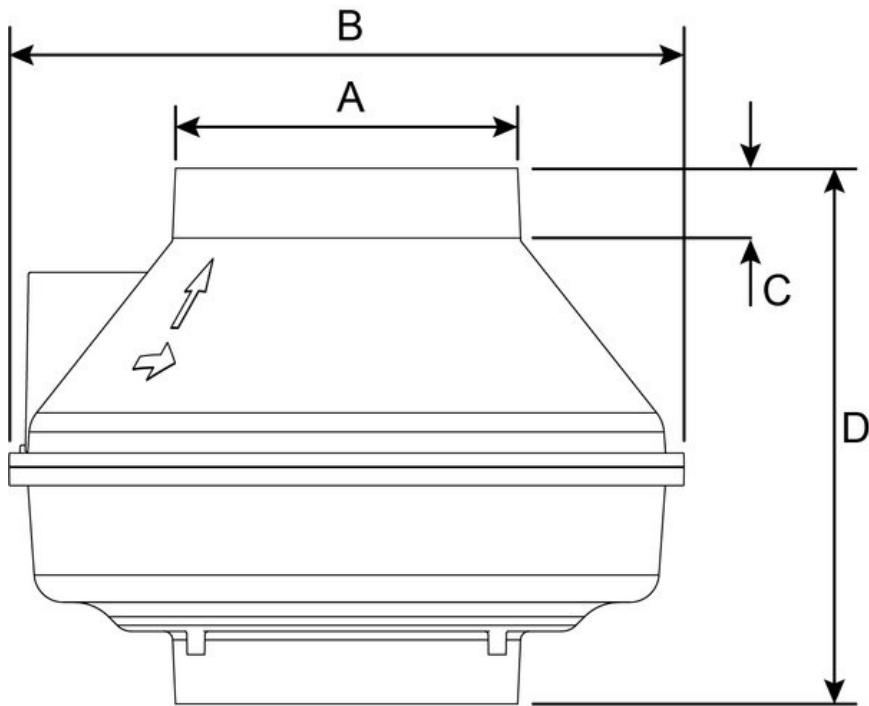
in. wg.



### Hydraulic data

Required air flow	-
Required static pressure	-
Working air flow	-
Working static pressure	-
Air density	0.075 lb/ft <sup>3</sup>
Power	-
Fan control - RPM	-
Current	-
SFP	-
Control voltage	-
Supply voltage	-

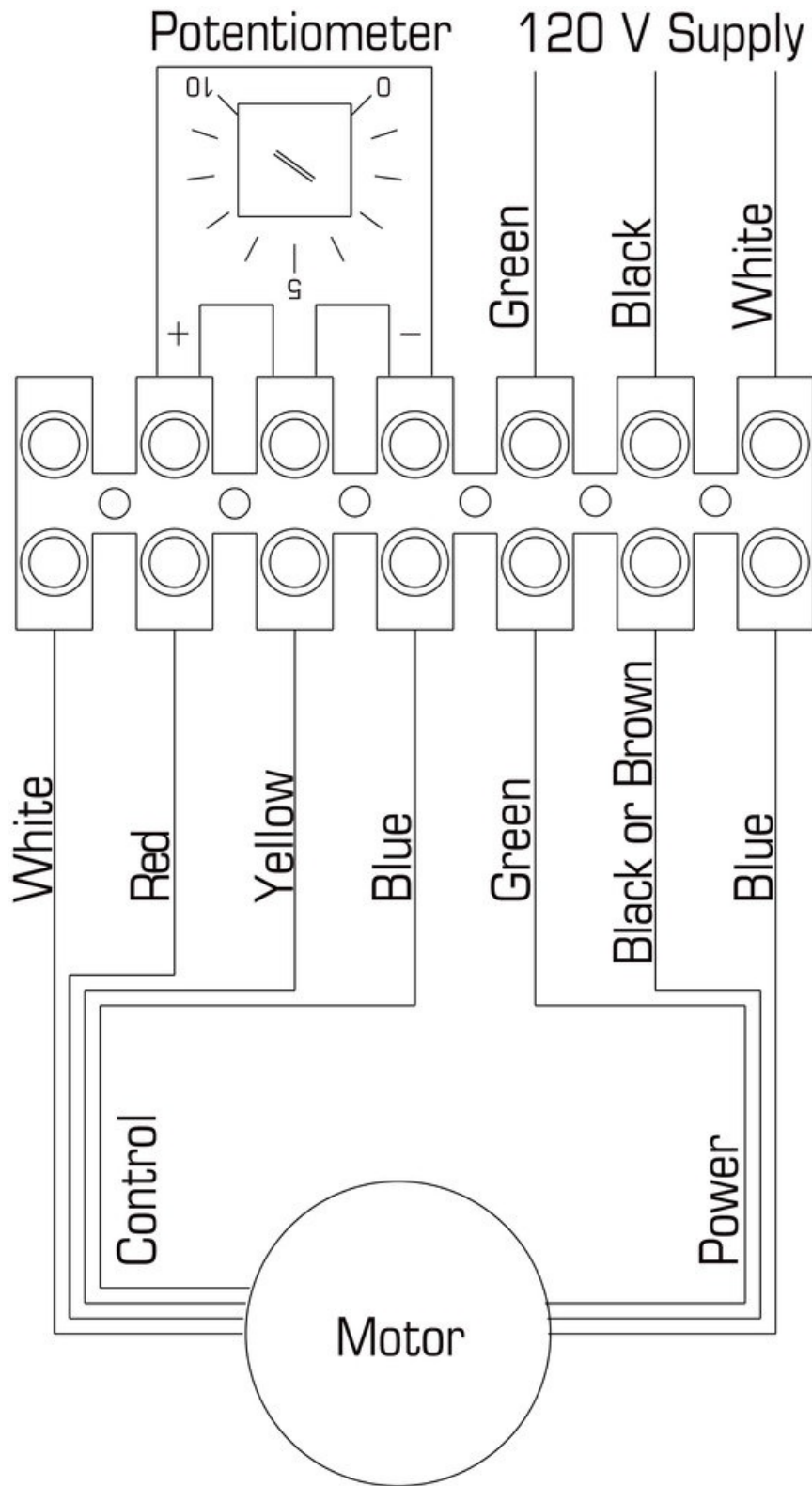
## Dimensions



Model	A	B	C	D	E	F	G
Rn2EC	4 15/32 (114)	10 (254)	1 1/4 (32)	9 1/4 (235)	-	-	-
Rn4EC-3	5 7/8 (149)	11 1/2 (292)	1 1/4 (32)	9 1/4 (235)	4 (102)	3 1/2 (89)	6 (152)
Rn4EC-4	5 7/8 (149)	11 1/2 (292)	1 1/4 (32)	9 1/4 (235)	4 (102)	4 1/2 (114)	6 (152)

Dimensions in inches (mm).

## Wiring



## Accessories

- FRIK 4x3 Rn Installation Kit (95904)
- LDVI® 4x3 Bulk Pack, 54 pcs (95908)
- FRIK 4x4 Rn Installation Kit (95905)
- LDVI® 4x4 Bulk Pack, 36 pcs (95909)

## Documents

- E1956\_RN2EC\_SELL\_SHEET.PDF
- 142001 Rn2EC-Rn4-EC OIPM EN FR.PDF