

Rn3 Inline Radon Fan

Item Number: 89053

Variant: 120V 1~ 60Hz



- Use for **Medium Suction, Medium Airflow** applications
- UV resistant, UL Listed durable plastic
- UL Listed for use in commercial applications
- Watertight electrical terminal box
- Totally enclosed for protection
- Automatic reset thermal overload protection
- Zero leakage

Active radon mitigation systems employ specialized fans to exhaust radioactive radon gas from underneath building structures via a sealed pipe system. These systems are designed to remove radon gas before it migrates into the building envelope.

The **Rn3** models is an excellent choice for systems with elevated radon levels, poor communication, multiple suction points and/or large sub slab footprint. High air flow, medium suction.

The fan features a fully sealed plastic housing. The inlet and outlet pieces of the housing are joined via a vibration welding process. The process uses transverse, reciprocating motion under pressure at the point of contact. The friction produces heat that melts the thermoplastic material at the interface. The melted material quickly re-solidifies, resulting in a fused, single piece housing. The fused seam is inherently air tight, very strong and permanent.

This air-tight product ensures that efficiency is not lost and contaminants are not spilled due to leakage.

A large electrical wiring enclosure is designed into the fan housing, making electrical installation easier. Thermal overload protected with automatic reset.

The fan can be mounted both indoor, outdoor and in wet locations.

Performance certified by **HVI**; safety certified by **UL**.

To simplify installation, use **FRIK 6x3** or **FRIK 6x4** Installation kits.

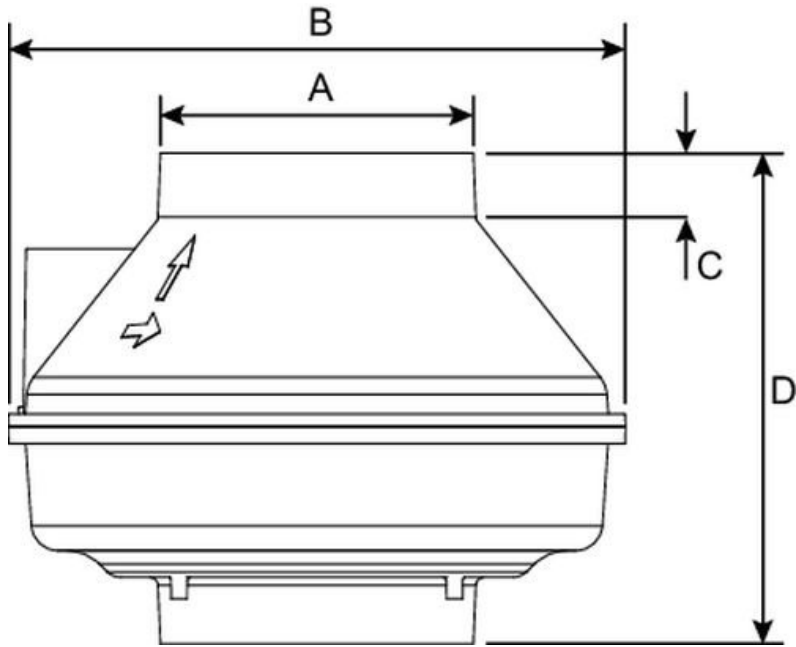


Technical parameters

| Nominal data | | |
|-------------------|-----|----|
| Voltage (nominal) | 120 | V |
| Frequency | 60 | Hz |
| Phase(s) | 1~ | |
| Input power | 141 | W |
| Input current | 1.2 | A |

| | | |
|----------------------------------|----------|--------|
| Impeller speed | 2 782 | r.p.m. |
| Air flow | max 178 | L/s |
| Protection/Classification | | |
| Enclosure class, motor | IP44 | |
| Insulation class | B | |
| Dimensions and weights | | |
| Duct dimension; Circular, inlet | 6 | in. |
| Duct dimension; Circular, outlet | 6 | in. |
| Weight | 6.3 | lb |
| Optional | | |
| Duct connection type | Circular | |

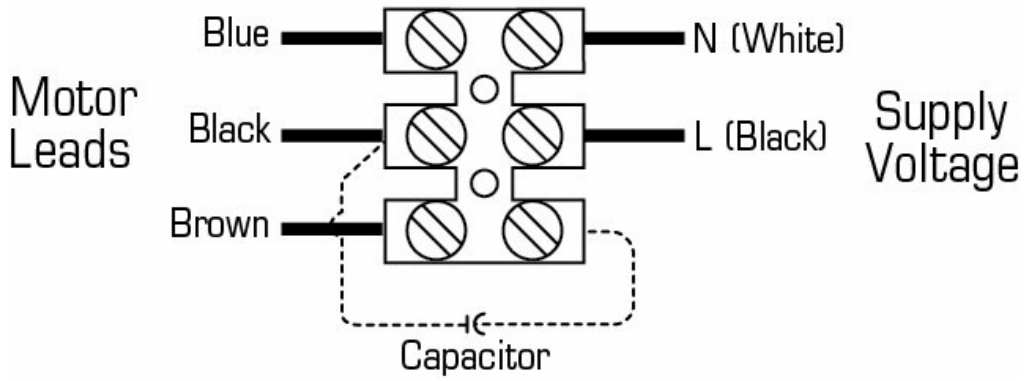
Dimensions



| Model | A | B | C | D |
|-------|---------------|--------------|------------|-------------|
| Rn1 | 4 15/32 (114) | 10 (254) | 1 1/4 (32) | 9 1/4 (235) |
| Rn2 | 4 15/32 (114) | 10 (254) | 1 1/4 (32) | 9 1/4 (235) |
| Rn3 | 5 7/8 (149) | 11 1/2 (292) | 1 1/4 (32) | 9 1/4 (235) |

Dimensions in inches (mm).

Wiring



Accessories

- FRIK 6x3 (95906)
- LDVI® 6x3 Bulk Pack, 40 pcs (95910)
- FRIK 6x4 (95907)
- LDVI® 6x4 Bulk Pack, 40 pcs (95911)

Documents

- Rn Series Brochure.pdf
- Rn3_Sales_Sheet.pdf
- 484840 Rn OIPM EN FR .pdf