

Rn1 Inline Radon Fan

Item Number: 89051

Variant: 120V 1~ 60Hz



- Use for **Low Suction, Low Airflow** applications
- UV resistant, UL Listed durable plastic
- UL Listed for use in commercial applications
- UL Listed for outdoor use
- Watertight electrical terminal box
- Totally enclosed for protection
- Zero leakage

Active radon mitigation systems employ specialized fans to exhaust radioactive radon gas from underneath building structures via a sealed pipe system. These systems are designed to remove radon gas before it migrates into the building envelope.

The **Rn1** is specifically designed for applications where lower pressure and flow are needed. With a record low power consumption of 20 W, this radon fan is the perfect choice where there is good sub slab communication and lower Radon levels.

The fan features a fully sealed plastic housing. The inlet and outlet pieces of the housing are joined via a vibration welding process. The process uses transverse, reciprocating motion under pressure at the point of contact. The friction produces heat that melts the thermoplastic material at the interface. The melted material quickly re-solidifies, resulting in a fused, single piece housing. The fused seam is inherently air tight, very strong and permanent.

This air-tight product ensures that efficiency is not lost and contaminants are not spilled due to leakage.

A large electrical wiring enclosure is designed into the fan housing, making electrical installation easier. Thermal overload protected with automatic reset.

The fan can be mounted both indoor, outdoor and in wet locations.

Performance certified by **HVI**; safety certified by **UL**.

To simplify installation, use **FRIK 4x3** or **FRIK 4x4** Installation kits.

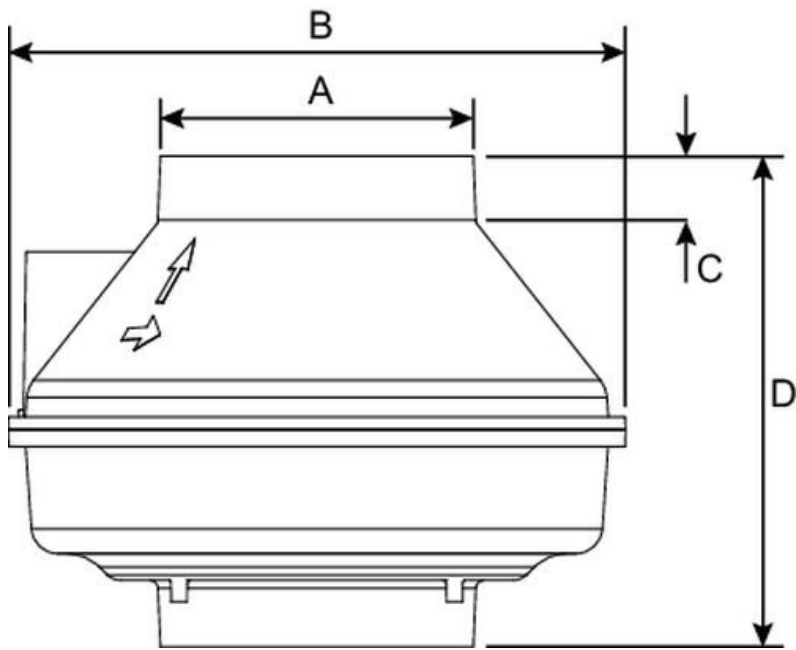


Technical parameters

Nominal data		
Voltage (nominal)	120	V
Frequency	60	Hz
Phase(s)	1~	
Input power	20	W
Input current	0.17	A

Impeller speed	3 154 r.p.m.
Air flow	max 80 L/s
Protection/Classification	
Enclosure class, motor	IP44
Insulation class	B
Dimensions and weights	
Duct dimension; Circular, inlet	4 in.
Duct dimension; Circular, outlet	4 in.
Weight	3.7 lb
Optional	
Duct connection type	Circular

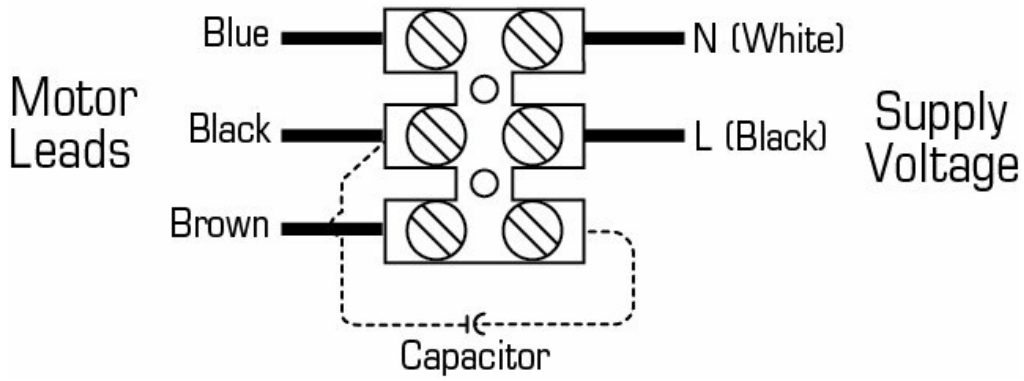
Dimensions



Model	A	B	C	D
Rn1	4 15/32 (114)	10 (254)	1 1/4 (32)	9 1/4 (235)
Rn2	4 15/32 (114)	10 (254)	1 1/4 (32)	9 1/4 (235)
Rn3	5 7/8 (149)	11 1/2 (292)	1 1/4 (32)	9 1/4 (235)

Dimensions in inches (mm).

Wiring



Accessories

- FRIK 4x3 (95904)
- LDVI® 4x3 Bulk Pack, 54 pcs (95908)
- FRIK 4x4 (95905)
- LDVI® 4x4 Bulk Pack, 36 pcs (95909)

Documents

- Rn1_Sales_Sheet.pdf
- Rn Series Brochure.pdf
- 484840 Rn OIPM EN FR .pdf