

Instructions

HPC

Top Pin Loader

No. TPIN-2

HPC's TPIN-2 makes loading top pins and springs easier than ever. One side is .495, and the other is .550. Perfect for your most popular rekeying jobs.

INSTRUCTIONS:

1. Load the top pins into chambers in the Top Pin Loader. See Fig. 1.
2. Load springs over the pins. See Fig. 1.
3. Compress the springs into the tool with shim. See Fig. 1.
4. Hold the shim in place with your finger and insert tool into backside of the shell. See Fig. 2.
5. Remove the shim.
6. Rotate tool to allow the springs to enter the upper chambers.
7. Use a pick to push the top pins into the shell. See Fig. 3.
8. Rotate the tool 90° degrees.
9. Load the bottom pins into the plug.
10. Follow the plug into the shell. See Fig. 4.

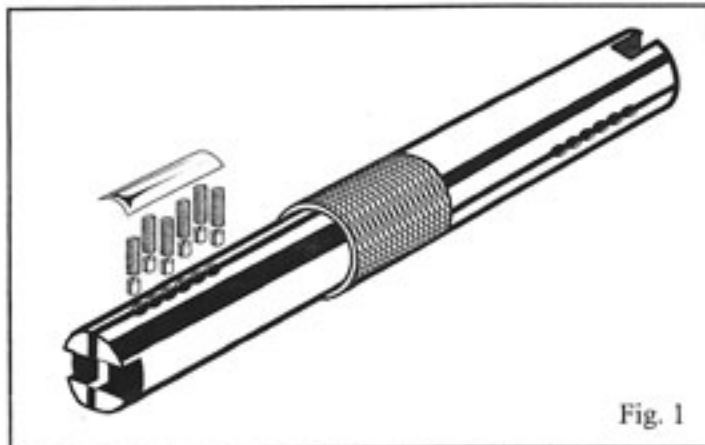


Fig. 1

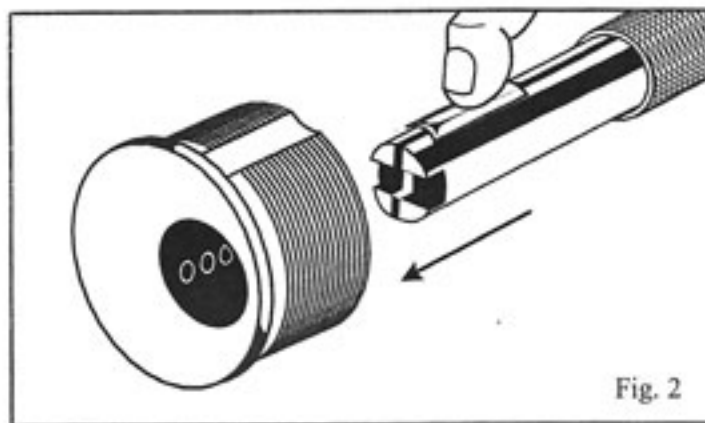


Fig. 2

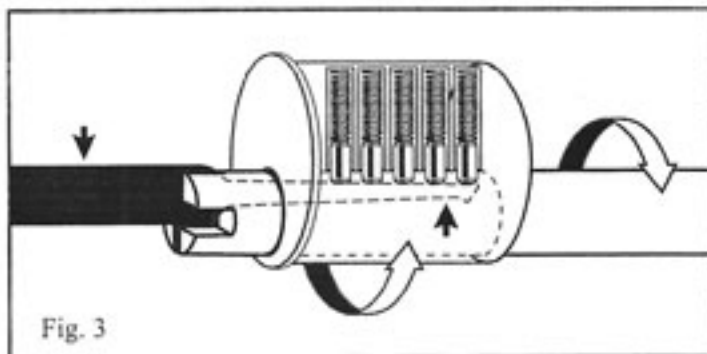


Fig. 3

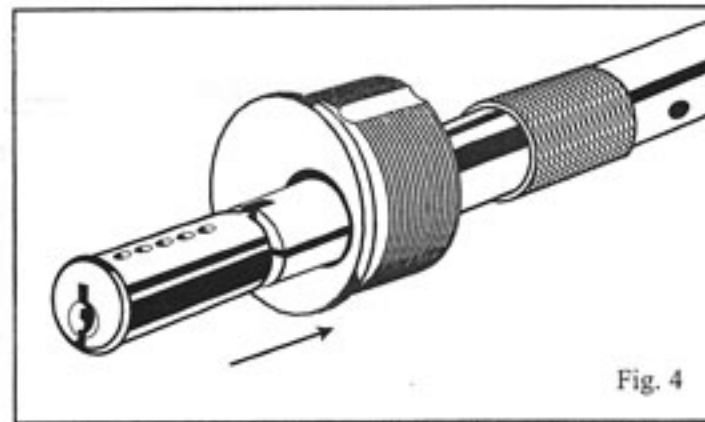


Fig. 4