

Deliver to:  
 Name:  
 Street:  
 Town: Postal code:  
 E-Mail:  
 Tel: Fax:

Deliver to:  
 Name:  
 Street:  
 Town: Postal code:  
 E-Mail:  
 Tel: Fax:

Order date:  
 Purchase order:  
 Number required:



Marked for:  
 Sunrise order no:



● = Standard    □ = Cost option    ○ = No cost option  
 Customer Services fax number **0845 605 66 89**  
 Customer Services email **orders@sunmed.co.uk**  
**Max. user weight: 125kg // 140 kg (2)**  
**USER WEIGHT**  kg  
 Mandatory information to ensure correct configuration

**Transportation Approved**

Details of options can be found in the Quickie Manual Wheelchair Accessory Guide

**Part no.: 65100001**

Base Price
<b>£2,145</b>

Please consult our colour catalogue, to review your colour choice at the end of the order form

**CLIENT MEASUREMENTS**

		Seat Width in cm										
		30 cm	32 cm	34 cm	36 cm	38 cm	40 cm	42 cm	44 cm	46 cm	48 cm	50 cm
Seat Depth in cm	30 cm	<input type="radio"/>	<input type="radio"/>	<input type="radio"/>	<input type="radio"/>	<input type="radio"/>	<input type="radio"/>	<input type="radio"/>	<input type="radio"/>	<input type="radio"/>	<input type="radio"/>	<input type="radio"/>
	32 cm	<input type="radio"/>	<input type="radio"/>	<input type="radio"/>	<input type="radio"/>	<input type="radio"/>	<input type="radio"/>	<input type="radio"/>	<input type="radio"/>	<input type="radio"/>	<input type="radio"/>	<input type="radio"/>
	34 cm	<input type="radio"/>	<input type="radio"/>	<input type="radio"/>	<input type="radio"/>	<input type="radio"/>	<input type="radio"/>	<input type="radio"/>	<input type="radio"/>	<input type="radio"/>	<input type="radio"/>	<input type="radio"/>
	36 cm	<input type="radio"/>	<input type="radio"/>	<input type="radio"/>	<input type="radio"/>	<input type="radio"/>	<input type="radio"/>	<input type="radio"/>	<input type="radio"/>	<input type="radio"/>	<input type="radio"/>	<input type="radio"/>
	38 cm	<input type="radio"/>	<input type="radio"/>	<input type="radio"/>	<input type="radio"/>	<input type="radio"/>	<input type="radio"/>	<input type="radio"/>	<input type="radio"/>	<input type="radio"/>	<input type="radio"/>	<input type="radio"/>
	40 cm	<input type="radio"/>	<input type="radio"/>	<input type="radio"/>	<input type="radio"/>	<input type="radio"/>	<input type="radio"/>	<input type="radio"/>	<input type="radio"/>	<input type="radio"/>	<input type="radio"/>	<input type="radio"/>
	42 cm	<input type="radio"/>	<input type="radio"/>	<input type="radio"/>	<input type="radio"/>	<input type="radio"/>	<input type="radio"/>	<input type="radio"/>	<input type="radio"/>	<input type="radio"/>	<input type="radio"/>	<input type="radio"/>
	44 cm	<input type="radio"/>	<input type="radio"/>	<input type="radio"/>	<input type="radio"/>	<input type="radio"/>	<input type="radio"/>	<input type="radio"/>	<input type="radio"/>	<input type="radio"/>	<input type="radio"/>	<input type="radio"/>
	46 cm	<input type="radio"/>	<input type="radio"/>	<input type="radio"/>	<input type="radio"/>	<input type="radio"/>	<input type="radio"/>	<input type="radio"/>	<input type="radio"/>	<input type="radio"/>	<input type="radio"/>	<input type="radio"/>
	48 cm	<input type="radio"/>	<input type="radio"/>	<input type="radio"/>	<input type="radio"/>	<input type="radio"/>	<input type="radio"/>	<input type="radio"/>	<input type="radio"/>	<input type="radio"/>	<input type="radio"/>	<input type="radio"/>
50 cm	<input type="radio"/>	<input type="radio"/>	<input type="radio"/>	<input type="radio"/>	<input type="radio"/>	<input type="radio"/>	<input type="radio"/>	<input type="radio"/>	<input type="radio"/>	<input type="radio"/>	<input type="radio"/>	

All measurements are in cm and without a cushion

		Front Seat Height in cm								
		Fork type	45	46	47	48	49	50	51	52
Front Castor	3"	111mm	<input type="radio"/>	<input type="radio"/>	<input type="radio"/>					
		123mm (1)			<input type="radio"/>	<input type="radio"/>	<input type="radio"/>			
	4"	111mm	<input type="radio"/>	<input type="radio"/>	<input type="radio"/>	<input type="radio"/>	<input type="radio"/>			
123mm (1)				<input type="radio"/>	<input type="radio"/>	<input type="radio"/>	<input type="radio"/>			
Frog leg (1)						<input type="radio"/>	<input type="radio"/>	<input type="radio"/>		
5"	111mm				<input type="radio"/>	<input type="radio"/>	<input type="radio"/>			
	123mm (1)				<input type="radio"/>	<input type="radio"/>	<input type="radio"/>	<input type="radio"/>		
	Frog leg (1)							<input type="radio"/>	<input type="radio"/>	
	123mm (1)						<input type="radio"/>	<input type="radio"/>	<input type="radio"/>	

Your rear seat height can only be between 0cm and 13cm below your front seat height:  
 i.e. rear seat height CANNOT be above front seat height.  
 i.e. rear seat height CANNOT be more than 13cm below front seat height.  
 More info, see page 2

		Rear seat height in cm																		
Rear Wheels		34	35	36	37	38	39	40	41	42	43	44	45	46	47	48	49	50	51	52
22"		<input type="radio"/>	<input type="radio"/>	<input type="radio"/>	<input type="radio"/>	<input type="radio"/>	<input type="radio"/>	<input type="radio"/>	<input type="radio"/>	<input type="radio"/>	<input type="radio"/>	<input type="radio"/>	<input type="radio"/>	<input type="radio"/>	<input type="radio"/>	<input type="radio"/>	<input type="radio"/>	<input type="radio"/>	<input type="radio"/>	<input type="radio"/>
24"				<input type="radio"/>	<input type="radio"/>	<input type="radio"/>	<input type="radio"/>	<input type="radio"/>	<input type="radio"/>	<input type="radio"/>	<input type="radio"/>	<input type="radio"/>	<input type="radio"/>	<input type="radio"/>	<input type="radio"/>	<input type="radio"/>	<input type="radio"/>	<input type="radio"/>	<input type="radio"/>	<input type="radio"/>
25"					<input type="radio"/>	<input type="radio"/>	<input type="radio"/>	<input type="radio"/>	<input type="radio"/>	<input type="radio"/>	<input type="radio"/>	<input type="radio"/>	<input type="radio"/>	<input type="radio"/>	<input type="radio"/>	<input type="radio"/>	<input type="radio"/>	<input type="radio"/>	<input type="radio"/>	<input type="radio"/>
26"						<input type="radio"/>	<input type="radio"/>	<input type="radio"/>	<input type="radio"/>	<input type="radio"/>	<input type="radio"/>	<input type="radio"/>	<input type="radio"/>	<input type="radio"/>	<input type="radio"/>	<input type="radio"/>	<input type="radio"/>	<input type="radio"/>	<input type="radio"/>	<input type="radio"/>

(1) compatible with power add on devices  
 (2) 136kg in combination with AGN090100 "Crash Test Option"

**SEAT UPHOLSTERY AND CUSHIONS****Seat Slings:**

AGN020002	<input type="radio"/> Seat sling with 1 utility bag	(Std default option)	
AGN020003	<input type="checkbox"/> Seat sling with 2 utility bag	(only from SW 34 cm)	43
AGN020004	<input type="checkbox"/> Seat sling with utility bag and catheter bag	(only from SW 34 cm)	97
AGN020000	<input type="radio"/> Without seat sling		

**Seat cushion black cover:**

Foam composite: (medium soft)	Thickness:	AGN020101 <input type="checkbox"/> 3 cm	AGN020102 <input type="checkbox"/> 5 cm	57
Latex: (very soft)	Thickness:	AGN020103 <input type="checkbox"/> 5 cm	AGN020104 <input type="checkbox"/> 8 cm	57

**Seat cushion with water resistant / breathable cover:**

Foam composite: (medium soft)	Thickness:	AGN020105 <input type="checkbox"/> 3 cm	AGN020106 <input type="checkbox"/> 5 cm	110
Latex: (very soft)	Thickness:	AGN020107 <input type="checkbox"/> 5 cm	AGN020108 <input type="checkbox"/> 8 cm	110
AGN020150	<input type="checkbox"/> Spare cushion cover			43

**JAY Cushions - for complete product range see Jay order forms:**

JAY020002	<input type="checkbox"/> Jay Basic	55
JAY020003	<input type="checkbox"/> Jay Soft Combi P	77
JAY020001	<input type="checkbox"/> Jay Easy Visco	132
JAY020007	<input type="checkbox"/> JAY Easy Fluid	308
JAY020004	<input type="checkbox"/> JAY Lite	215

**Seat accessories**

AGN090018	<input type="checkbox"/> Positioning belt	35
-----------	---	----

**BACKREST****Back height range**

Choose back height factory setting (cm).

Height adjustments possible in the range 25-30 cm; 30-40 cm; 40-45 cm.

25 - 30	30 - 40	40 - 45
<input type="radio"/> 25	<input type="radio"/> 30	<input type="radio"/> 37.5
<input type="radio"/> 27.5	<input type="radio"/> 32.5	<input type="radio"/> 40
<input type="radio"/> 30	<input type="radio"/> 35	<input type="radio"/> 45

AGN030015	<input type="radio"/> Angle adj. Back (fold down)	(-31° to +15°)	(only available black anodized style package)	
AGN030102	<input type="checkbox"/> Double locking			32
AGN030012	<input type="radio"/> Angle adj. Back (fixed)	(-31° to +15°)	(only available black anodized style package)	

**Push handles:** Choose only one option

AGN030200	<input type="radio"/> Without push handles	
AGN030201	<input type="radio"/> Integral push handles long	
AGN030203	<input type="checkbox"/> Fold-down push handles	(only available from back height 32.5 cm)
AGN030204	<input type="checkbox"/> Height adj push handles	(only available from back height 32.5 cm)
AGN030205	<input type="checkbox"/> Height adj push handles for Jay backs	(only available from back height 32.5 cm)

**Backrest upholstery adjustable**

AGN030316	<input type="radio"/> EXO Backrest sling, synthetic fibre, padded, adjustable, 1 accessory bag, black Colour, binding tape: ● Black <input type="radio"/> Orange <input type="radio"/> Silver <input type="radio"/> Red <input type="radio"/> Blue	
AGN030317	<input type="checkbox"/> EXO PRO Backr. sling, synthetic fibre, padded, adj., breathable spacer fabric, accessory bag, black Colour, binding tape: ● Black <input type="radio"/> Orange <input type="radio"/> Silver <input type="radio"/> Red <input type="radio"/> Blue	136
AGN030000	<input type="radio"/> Without backrest upholstery	

						£									
<b>JAY BACKS</b>															
<b>Jay 3 Back - Shallow Contour</b>															
Mid Thoracic:	<input type="checkbox"/>	JAY030010	Medium - 34 cm	<input type="checkbox"/>	JAY030033	Tall - 38 cm	506								
Upper Thoracic:	<input type="checkbox"/>	JAY030012	Short - 42 cm	<input type="checkbox"/>	JAY030019	Medium - 46 cm	572								
<b>Jay 3 Back - Mid Contour</b>															
Mid Thoracic:	<input type="checkbox"/>	JAY030011	Medium - 34 cm	<input type="checkbox"/>	JAY030018	Tall - 38 cm	506								
Upper Thoracic:	<input type="checkbox"/>	JAY030013	Short - 42 cm	<input type="checkbox"/>	JAY030020	Medium - 46 cm	572								
<b>JAY 3 Carbon - Shallow Contour</b>															
Low Thoracic:	<input type="checkbox"/>	JAY060001	Short - 17 cm	<input type="checkbox"/>	JAY060002	Tall - 24 cm	605								
Mid Thoracic:	<input type="checkbox"/>	JAY060003	Short - 30 cm	<input type="checkbox"/>	JAY060004	Tall - 38 cm	605								
<b>JAY 3 Accessory bag</b>															
JAY090058	<input type="checkbox"/>	JAY J3 Accessory bag					46								
<b>Jay 3 Back Headrests</b>															
JAY030004	<input type="checkbox"/>	Jay Flip Back Headrest (J3EUHDFH & J3EUHDLSP)				(only with Jay 3 backs)	255								
JAY030006	<input type="checkbox"/>	Jay Std. Headrest (J3EUHDXH & J3EUHDLSP)				(only with Jay 3 backs)	174								
<b>SIDEGUARDS &amp; ARMRESTS</b>															
AGN040107	<input type="radio"/>	Plastic detachable sideguard													
AGN040102	<input type="checkbox"/>	Straight aluminium sideguard					157								
AGN040103	<input type="checkbox"/>	Straight aluminium sideguard with fender				(min seat height 39 cm)	218								
AGN040101	<input type="checkbox"/>	Straight carbon slim style sideguard				(1)	183								
AGN040104	<input type="checkbox"/>	Straight carbon sideguards with fender				(min seat height 39 cm, not in combination with handbike axle)	285								
AGN040108	<input type="checkbox"/>	Padded tubular armrest				(not in combination with handbike axle)	96								
		Single post armrest with:				(Quickie style)									
	<input type="checkbox"/>	AGN040050	short armpad (25 cm)	<input type="checkbox"/>	AGN040051	long armpad (36 cm)	153								
AGN040052	<input type="checkbox"/>	Tool height adj. armrest (short & long armpad - length adj.)					183								
AGN040000	<input type="radio"/>	Without Sideguard													
<b>LEGREST &amp; FOOTPLATES</b>															
AGN050029	<input type="radio"/>	Tubular footrest lightweight				(lower leg length 36 cm - 50 cm)									
AGN050030	<input type="checkbox"/>	Tubular footrest lightweight with flat cover				(lower leg length 36 cm - 50 cm)	67								
AGN050025	<input type="checkbox"/>	Platform footrest lightweight composite plate				(lower leg length 36 cm - 50 cm)	133								
AGN050024	<input type="checkbox"/>	Platform footrest lightweight alu plate				(lower leg length 36 cm - 50 cm)	133								
AGN050026	<input type="checkbox"/>	Platform footrest lightweight carbon plate				(lower leg length 36 cm - 50 cm)	273								
AGN050034	<input type="checkbox"/>	Platform footrest lightweight high mount				(LLL 22 - 39 cm)	133								
AGN050125	<input type="checkbox"/>	Performance footrest alu angle adj.				(lower leg length 36 cm - 50 cm)	200								
AGN050127	<input type="checkbox"/>	Foot positioning plate				(only with platform footplates lightweight angle & depth adjustable)	18								
AGN050020	<input type="checkbox"/>	Composite footplate divided				(2) (SW 38-50cm; LLL 38 - 50 cm)	110								
AGN050022	<input type="checkbox"/>	Alu footplate divided				(2) (SW 34 - 50; lower leg length 38 cm - 50 cm)	110								
<b>Lower leg length (LLL) Attention: LLL has to be 3 cm less than seat height front; all measurements are in cm</b>															
<input type="radio"/>	22	<input type="radio"/>	23	<input type="radio"/>	24	<input type="radio"/>	25	<input type="radio"/>	26	<input type="radio"/>	27	<input type="radio"/>	28	<input type="radio"/>	29
<input type="radio"/>	30	<input type="radio"/>	31	<input type="radio"/>	32	<input type="radio"/>	33	<input type="radio"/>	34	<input type="radio"/>	35	<input type="radio"/>	36	<input type="radio"/>	37
<input type="radio"/>	38	<input type="radio"/>	39	<input type="radio"/>	40	<input type="radio"/>	41	<input type="radio"/>	42	<input type="radio"/>	43	<input type="radio"/>	44	<input type="radio"/>	45
<input type="radio"/>	46	<input type="radio"/>	47	<input type="radio"/>	48	<input type="radio"/>	49	<input type="radio"/>	50						
LLL 22 - 35 cm only with high mounted footrest; for all other footrests from LLL 36 - 50 cm.															
<b>FRAME VERSIONS (first choose frame angle then frame inset)</b>															
AGN010601	<input type="radio"/>	User Weight max.125kg													
AGN010602	<input type="radio"/>	User Weight max.140kg													
AGN010013	<input type="radio"/>	Fixed frame 88° (EU 92 degree)													
AGN010012	<input type="radio"/>	Fixed frame 80° (EU 100 degree)													
AGN010100	<input type="radio"/>	Frame inset: 0cm													
AGN010103	<input type="radio"/>	Frame inset: 3cm													
AGN090015	<input type="checkbox"/>	Preparation for add on devices (4)				(max. 120 kg; only 0° camber)	158								
AGN010500	<input type="checkbox"/>	Handbike axle (3)				(max 100kg; not in combination with amputee axle and padded tubular armrest)	260								
AGN070500	<input type="checkbox"/>	Amputee axle				(not in combination with handbike axle and padded tubular armrest)	158								

(1) With 24" rear wheel minimum rear seat height 41 cm; with 25" rear wheel minimum rear seat height 43 cm

(2) With 3 cm inset divided footplates are available from sw 40 composite and SW 36 alu footplate

(3) Not with tip assist

(4) Necessary for e-fix or P105 attachment

AXLE PLATE & CENTRE OF GRAVITY (COG) <small>(measured from front of back post; choose only one option)</small>				£
COG32	<input type="radio"/>	3.2 cm	COG80 <input type="radio"/> 8.0 cm (Sport or pair of anti tip tubes only)	
COG44	<input type="radio"/>	4.4 cm	COG92 <input type="radio"/> 9.2 cm (Sport or pair of anti tip tubes only)	
COG56	<input type="radio"/>	5.6 cm	COG104 <input type="radio"/> 10.4 cm (Sport or pair of anti tip tubes only)	
COG68	<input type="radio"/>	6.8 cm		
FRAME ACCESSORIES <small>(choose either tip assist or anti-tip tubes, not both)</small>				
<b>Tip assist (step tube)</b>				
AGN090001	<input type="checkbox"/>	Left	AGN090002 <input type="checkbox"/> Right	28
AGN090003	<input type="checkbox"/>	Pair		48
AGN090009	<input type="checkbox"/>	Crutch holder	<small>(only in combination with tip assist)</small>	59
<b>Anti-tip tubes swing-away</b>				
AGN090004	<input type="checkbox"/>	Left	AGN090005 <input type="checkbox"/> Right	79
AGN090006	<input type="checkbox"/>	Pair		157
<b>Anti-tip tubes pluggable</b>				
AGN090007	<input type="checkbox"/>	Anti-tip tubes pluggable	<small>(Pair)</small>	67
<b>Anti tip flip up (user operated)</b>				
AGN090033	<input type="checkbox"/>	Left	AGN090008 <input type="checkbox"/> Right	121
AGN090035	<input type="checkbox"/>	Sport anti-tip		242
AGN090010	<input type="checkbox"/>	Transit wheels	<small>(3")</small>	174
AGN090016	<input type="checkbox"/>	Frame protection (impact guard)		59
PREPARATION FOR ATTITUDE ADD-ON BIKE				
AGN090211	<input type="checkbox"/>	Preparation for ATTITUDE, w/o ATTITUDE order <b>(3)</b>	<small>(docking pins assembled)</small>	90
AGN090212	<input type="radio"/>	Preparation for ATTITUDE, with ATTITUDE order <b>(3)</b>	<small>(docking pins assembled; ATTITUDE order separately)</small>	
FORKS <small>(compare with your choice on the first page)</small>				
AGN080013	<input checked="" type="radio"/>	Carbotecture fork (111mm forks only)	<small>(colours: see Stylepackage on last page)</small>	
AGN080029	<input checked="" type="radio"/>	Aluminium fork (123mm forks only) <b>(1)</b>	<small>(colours: see Stylepackage on last page)</small>	
AGN080007	<input type="checkbox"/>	FROG LEG fork	<small>(not in combination with 3" &amp; all ALU casters; only black, max user weight 125 kg)</small>	254
STANDARD CASTOR <small>(compare with your choice on the first page)</small>				
AGN080301	<input type="radio"/>	Solid		
AGN080302	<input type="radio"/>	Soft	<small>(only for 5" &amp; 6")</small>	
AGN080303	<input type="checkbox"/>	Light ups (solid)	<small>(not available for 6")</small>	59
AGN080304	<input type="checkbox"/>	Solid with aluminium rim	<small>(only for 4" and 5")</small>	70
AGN080306	<input type="checkbox"/>	Soft with aluminium rim (wide)	<small>(only for 4" and 5")</small>	70
REAR WHEELS <small>(compare with your choice on the first page; choose only one wheel type)</small>				
<b>NOTE: for users with higher user weight than 100 kg, we recommend cross spoked wheels</b>				
AGN070001	<input type="radio"/>	Universal Cross spoked	<small>(not with 25")</small>	
AGN070002	<input type="radio"/>	Design wheel	<small>(not with 22" or 25")</small>	
AGN070003	<input type="radio"/>	Light weight wheel	<small>(not with 26"; max user weight: 125 kg)</small>	
AGN070004	<input type="checkbox"/>	Proton Wheels	<small>(not with 26"; max user weight: 100 kg)</small>	433
AGN070005	<input type="checkbox"/>	Spinergy wheels 18 spokes	<small>(not with 22"; black spokes; other colours available via B4M)</small>	393
AGN070006	<input type="checkbox"/>	Spinergy wheels 12 spokes	<small>(not with 22" or 26"; black spokes; other colours available via B4M)</small>	606
AGN070009	<input type="checkbox"/>	Mountainbike Rear wheel	<small>(only with 24", mountain bike tyres &amp; aluminium rim, black coated)</small>	279
AGN070010	<input type="checkbox"/>	Additional Mountain Bike wheels	<small>(only with 24"; comes always with mountainbike tyres)</small>	419
AGN070000	<input type="radio"/>	Without wheels		
TYRES <small>(choose only one tyre type)</small>				
AGN070101	<input type="radio"/>	Right Run (standard slick)	<small>(not in 25")</small>	
AGN070102	<input type="radio"/>	Solid tyres (puncture proof) <b>(2)</b>	<small>(not with 26")</small>	
AGN070107	<input type="checkbox"/>	Schwalbe One (Slight puncture protection)	<small>(only 24")</small>	80
AGN070106	<input type="checkbox"/>	Two Grip Down Town	<small>(only 24")</small>	80
AGN070104	<input type="checkbox"/>	Marathon plus evolution (puncture resistant)	<small>(not in 22")</small>	80

**(1): compatible with power add on devices**

**(2): Proton and Light Weight wheel only with 24" & 25" solid tyre ; Spinergy wheels only with 24" solid tyre**

**(3): Max front frame width 46cm, max 100kg user weight**

				£
<b>HANDRIM</b>				
AGN070202	<input type="radio"/>	Aluminium silver anodized	(1)	
AGN070201	<input type="radio"/>	Aluminium silver powder coated	(1)	(not with 26" and Spinergy wheels)
AGN070204	<input type="radio"/>	Stainless steel		(not with 25" wheels; not with Spinergy wheels)
AGN070203	<input type="checkbox"/>	Aluminium colour powder coated	Colour Code: .....	(not with Spinergy wheels) 55
AGN070205	<input type="checkbox"/>	Titanium		(only 24"; 26" wheels; not with Spinergy wheels) 166
AGN070206	<input type="checkbox"/>	Titanium clear powdercoated		(only 24" wheels; not with Spinergy wheels) 166
AGN070207	<input type="checkbox"/>	Supergrip		(Not with mountain bike wheels) 200
AGN070208	<input type="checkbox"/>	Max Grepp		(only 22", 24"wheels; not with Spinergy wheels) 200
AGN070250	<input type="checkbox"/>	Handrim cover		(only 22" & 24"wheels) 80
Handrim mounting				
	AGN070317	<input type="radio"/>	Close = 17mm	(12,5 mm with lightweight & Proton wheels)
	AGN070327	<input type="radio"/>	Wide = 27mm	(not with lightweight & spinergy wheel and alu handrim)
	AGN070307	<input type="radio"/>	Extra close = 7mm	(only with stainless steel)
<b>WHEEL CAMBER</b> (choose only one option)				
AGN070600	<input type="radio"/>	0°		
AGN070603	<input type="radio"/>	3°		
AGN070606	<input type="radio"/>	6°		
AGN070609	<input type="radio"/>	9°		(not with handbike axle)
<b>SPOKE GUARDS (only available in 22" &amp; 24")</b>				
<input type="checkbox"/>	Spoke guards	Number:	Description:	110
Please consult the following page of this order form to choose your selection or to order a copy of our brochure please call 0845 605 66 88 or e-mail literaturerequest@sunmed.co.uk.				
You can also view the brochure online by visiting <a href="http://www.sunrisemedical.com">www.sunrisemedical.com</a> and navigating to Quickie Argon. You will find the brochure under "Multimedia & Downloads".				
<b>WHEEL LOCKS</b> (Choose only one option)				
AGN060001	<input type="radio"/>	Standard wheel lock		
AGN060003	<input type="radio"/>	Compact wheel lock		(only with 0°/3° camber)
AGN060002	<input type="checkbox"/>	Knee lever wheel lock		53
AGN060010	<input type="checkbox"/>	Wheel lock extension knee lever brake lock		(only on knee lever wheel lock) 36
AGN060006	<input type="checkbox"/>	One arm wheel lock left		(only with 0°/3° camber) 146
AGN060007	<input type="checkbox"/>	One arm wheel lock right		(only with 0°/3° camber) 146
<b>ACCESSORIES</b>				
AGN090000	<input checked="" type="radio"/>	Tool kit		
AGN090100	<input checked="" type="radio"/>	Transportation brackets - Crash Test Option (3)		Std.
AGN090024	<input type="checkbox"/>	High pressure pump		67
AGN090025	<input type="checkbox"/>	Air pump		13
AGN090030	<input type="checkbox"/>	Back pack		53
AGN090020	<input type="checkbox"/>	Net back bag		19
AGN090019	<input type="checkbox"/>	Bag Caddy		(not with platform footrest alu high mount and LLL < 41 cm) 53
AGN090026	<input type="checkbox"/>	Mobile phone pocket		40
AGN090017	<input type="checkbox"/>	Snoll on (off road 5th wheel attachment)	(2)	(Max user weight: 100kg) 485

(1) Not available mounting wide with Lightweight & Proton wheels

(2) Not in combination with performance footrest and high mounted footrest

(3) max. user weight 136kg

● = Standard

○ = No cost option

□ = Cost option

**COLOURS**

Please consult our colour catalogue, to review your colour choice at the end of the order form

	Frame (Matt £84)	Handrim £55	Hub/rim £154	(1)		Frame (Matt £84)	Handrim £55	Hub/rim £154	(1)
01 White RAL 9010	○	□	□		26 Silver Texture	○	□	□	
02 Brilliant Silver	○	□	□		27 Graphite metallic	○	□	□	
03 Silver matt	□	□	□		28 Platinum metallic	○	□	□	
04 Silver	○	□	□		29 Black	○	□	□	
06 Sun Yellow	○	□	□		31 Matt black	□	□	□	
07 Brilliant Lime	○	□	□		32 Signal white	○	□	□	
08 Matt Lime	□	□	□		33 Pink	○	□	□	
14 Blue	○	□	□		34 Dark chocolate metallic	○	□	□	
15 Brilliant Marine	○	□	□		35 Skyblue	○	□	□	
16 Matt Marine	□	□	□		36 Cyan-Metallic	○	□	□	
19 Brilliant Purple	○	□	□		37 Mars Red (Orange)	○	□	□	
20 Matt Purple	□	□	□		39 Cappuccino	○	□	□	
21 Red Ruby	○	□	□		40 Kiwi	○	□	□	
22 Brilliant Red	○	□	□		41 Flamingo-Glitter	○	□	□	
23 Matt Red	□	□	□		42 Matt-Anthracite	□	□	□	
24 Tutti Frutti Orange	○	□	□		43 Azure Blue	○	□	□	

**Style Package** (Colours for Forks)

AGN100502	● Black	
AGN100503	□ Silver	£78
AGN100501	□ Orange	£78

(1) only with universal cross spoked rear wheels

**Comments for special build:**

<b>Argon<sup>2</sup> - Base Price</b>	<b>£2,145</b>
Option price	£
Packaging and transport	£
Exclusive VAT	£
VAT.	£
<b>Total Price</b>	<b>£</b>



**HUM070823 - Princess**



**HUM070808 - Dancing Bear**



**HUM070818 - Jungle Fever**



**HUM070816 - Happy Lions**



**HUM070832 - Water World**



**HUM070825 - Randolf**



**HUM070819 - Monkeys**



**HUM070821 - Pirates**



**HUM070811 - Feather**



**HUM070820 - Oriental**



**HUM070824 - Racing**



**HUM070809 - Dirt Race**



**HUM070829 - Superhero**



**HUM070814 - Graffiti**



**HUM070806 - Chrome Wheel**



**HUM070817 - Hot Wheels**



**HUM070802 - Basketball**



**HUM0708036 - Basketball 2**



**HUM070822 - Pool**



**HUM070812 - Flying Water**



**HUM070828 - Space**



**HUM070827 - Silk**



**HUM070801 - Abstract**



**HUM070807 - Creative**



**HUM070830 - Tiger**



**HUM070833 - Zebra**



**HUM070805 - Cheese**



**HUM070804 - Bibbo**



**HUM070813 - Galactica**



**HUM070826 - Rotation**



**HUM070810 - Fantasy**



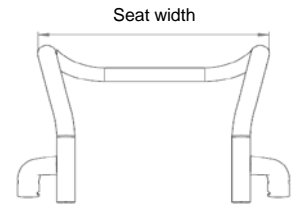
**HUM070815 - Graphic**

**Please follow this measuring method:**

The following method is recommended on the basis of extensive practical experience. Deviations are possible in individual instances.

**Seat width (SW):**

- a) *For the user:* Allow space between sideguard and hip on each side of the chair (approx. 1 - 2cm altogether)
- b) *On the wheelchair:* From outside frame tube to outside frame tube.



**Seat depth (SD):**

- a) *For the user:* When sitting upright: leave space for 2 - 3 fingers between front edge of the seat upholstery and back of knee (approx. 3 - 6 cm). Care must be taken with adj. upholstery.
- b) *On the wheelchair:* From back tube to front of seat upholstery.

**Front seat height:**

- a) *For the user:* When sitting with 90° kneeangle: From back of knee to bottom of shoe sole.
- b) *On the wheelchair:* From front of seat tube to the ground . (min. 3cm longer than user measurement) Remember to include the cushion height.

**Rear seat height:**

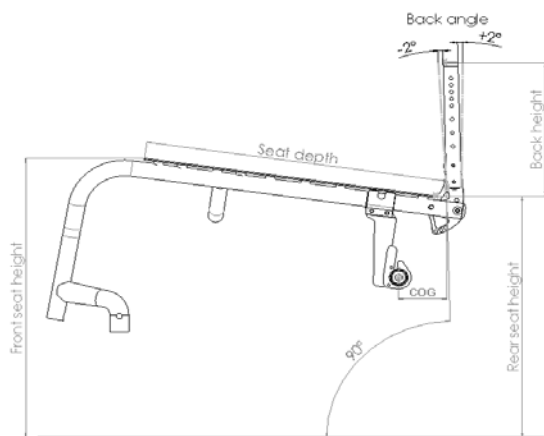
- b) *On the wheelchair:* From back of seat tube to the ground. **Note:** Max. seat height difference rear to front is 13 cm

**Back height:**

- a) *For the user:* From the seat, including cushion, to be no more than 1 - 2 cm below the lower shoulder blade.
- b) *On the wheelchair:* From back of seat tube to upper edge of backrest upholstery. **Note:** The user's ability to sit upright has a major influence on the back height and it can therefore differ considerably

**Back angle:**

**Important:** The back height depends on the degree of disability. 0° is the angle 90° to the ground. Negative angles are <90° and positive angles are >90°.



**Technical Data Overview:**

**Overall dimensions:**

Max overall height: 90 cm  
 Max overall length: 91 cm

**Overall width with:**

For 0° camber: SW + 20 cm  
 For 3° camber: SW + 22 cm  
 For 6° camber: SW + 28 cm  
 For 9° camber: SW + 34 cm

**24" rear wheel**

SW + 20 cm  
 SW + 22 cm  
 SW + 28 cm  
 SW + 34 cm

**25" rear wheel**

SW + 20 cm  
 SW + 26 cm  
 SW + 32 cm  
 SW + 38 cm

Please note that the matrix is based on a std configuration:

**Std chair 40 x 40 cm; 3° camber; 5,60 cm CoG; Seat angle of 8°**

All changes in the configuration might change the seat heights.

Manufacturing tolerances of +/- 1 cm





AGN020002  
Seat sling with 1 utility bag



AGN090018  
Positioning Belt



JAY020002  
JAY Basic  
(picture shown without upholstery)



JAY020003  
JAY Soft Combi P  
(picture shown without upholstery)



JAY020001  
JAY Easy Visco  
(picture shown without upholstery)



JAY020004  
JAY Lite  
(picture shown without upholstery)



AGN030201  
Integral push handles  
long



AGN030203  
Fold down push  
handles



AGN030205  
Height adjustable  
push handles for Jay



AGN030316  
EXO backrest sling



AGN030317  
EXO PRO backrest sling

JAY 3 Back  
Shallow Contour



AGN040102  
Aluminium sideguard w/o  
fender

JAY 3 Back  
Mid Contour



AGN040101  
Slim style sideguard

JAY 3 Back  
Deep Contour



AGN040103  
Aluminium sideguard  
with fender

JAY 3 Back  
Posterior Deep Contour



AGN040104  
Carbon sideguard with  
fender



AGN040107  
Composite  
sideguard  
detachable



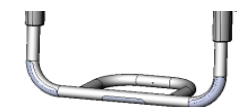
AGN040108  
Padded tubular  
armrest



AGN040051  
Single post armrest  
with long armpad



AGN040052  
Tool height adj. armrest



AGN050029  
Tubular footrest  
lightweight



AGN050030  
Tubular footrest lightweight  
with flat cover



AGN050025  
Platform footrest LW  
composite plate



AGN050026  
Platform footrest LW  
carbon plate



AGN050125  
Performance  
footrest alu angle  
adj



AGN050127  
Foot positioning plate



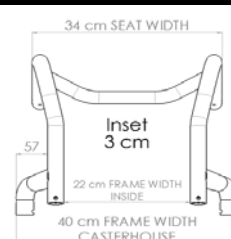
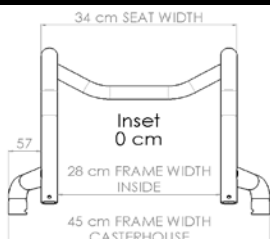
AGN050020  
Composite footplate  
divided



AGN050022  
Alu footplate divided

**Frame inset table (Graphs below are showing an example for SW 34)**

Inset		Seat Width (cm)										
		30	32	34	36	38	40	42	44	46	48	50
0 cm	Frame Width Inside	24	26	28	30	32	34	36	38	40	42	44
	Frame Width Casterhouse	41	43	45	47	49	51	53	55	57	59	61
3cm	Frame Width Inside	NA	NA	22	24	26	28	30	32	34	36	38
	Frame Width Casterhouse	NA	NA	40	42	44	46	48	50	52	54	56





AGN090001  
Tip assist left



AGN090004  
Anti-tip tubes SA



AGN090007  
Anti tip tubes pluggable



AGN090035  
Sport anti-tip



AGN090008  
Anti tip flip up  
User operated



AGN090010  
Transit wheels



AGN090016  
Frame protection



AGN080013  
Carbotechnology fork



AGN080007  
FROG LEG fork



AGN070001  
Universal Cross spoked



AGN070002  
Design Wheel



AGN070003  
Light weight wheel



AGN070004  
Proton Wheel



AGN070005  
Spinergy Wheel - 18 spoke



AGN070101  
Right Run



AGN070106  
Two Grip Down Town



AGN070107  
Schwalbe One



AGN070102  
Solid Tyres



AGN070104  
Marathon Plus  
(puncture proof)



AGN070009  
Mountain bike rear  
wheel



AGN070208  
Max Grepp



AGN070207  
Supergrip



AGN060001  
Standard Wheel lock



AGN060003  
Compact wheel lock



AGN060002  
Knee lever wheel lock



AGN060007  
One arm wheel lock  
right



AGN090000  
Tool kit



AGN090024  
High pressure pump



AGN090025  
Air pump



AGN090030  
Back pack



AGN090019  
Caddy



AGN090026  
Mobile phone pocket