



INSTRUCTION MANUAL

MODEL:8233



ASSEMBLY GUIDE



Congratulations, you are now the owner of a brand new KILLABEE chair!

Before enjoy the comfort chair, you have to put it together. This Assembly Guide will take you through the basic assembly process. To make sure your assembly goes smoothly, please follow the assembly instructions, **and especially the important safety information.**

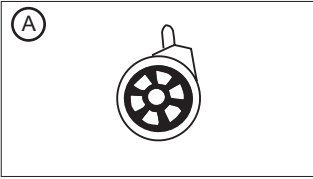
Also, while it is possible to assemble the chair on your own, **having a second person to help you makes it even easier.**

Before you begin, please check if there are any missing parts from the package. Should there be any issues, please don't hesitate to drop us an email and we'll help you out ASAP.

If you run into any difficulty during the assembly, remember to check out the Assembly Video to see if you've missed anything. If you're unable to resolve your problems, drop us an email as well and our support team will assist you.

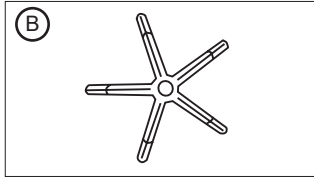


PACKAGE LIST



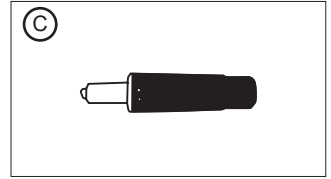
Casters

Quantity: 5



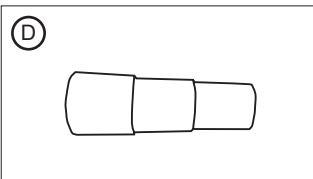
Star Base

Quantity: 1



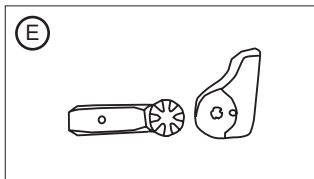
Gas Lift

Quantity: 1



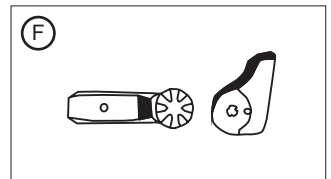
Lift Cover

Quantity: 1



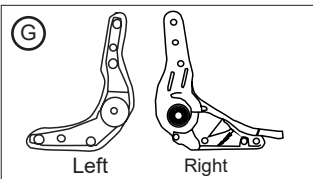
Left Plastic Cover Set

Quantity: 1



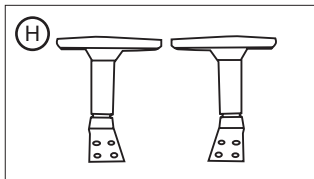
Right Plastic Cover Set

Quantity: 1



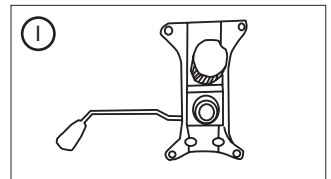
Angle Adjuster

Quantity: 2



Arms

Quantity: 2



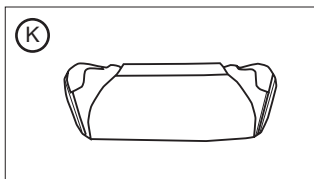
Seat Plate

Quantity: 1



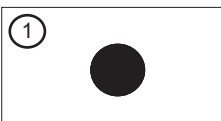
Back Cushion

Quantity: 1



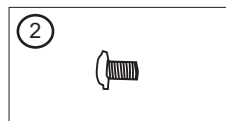
Seat Cushion

Quantity: 1



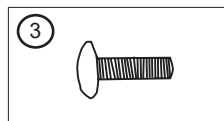
Plastic Caps

Quantity: 4



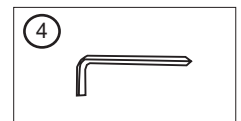
Bolts M5*8mm

Quantity: 4



Bolts M8*25mm

Quantity: 16



Wrench

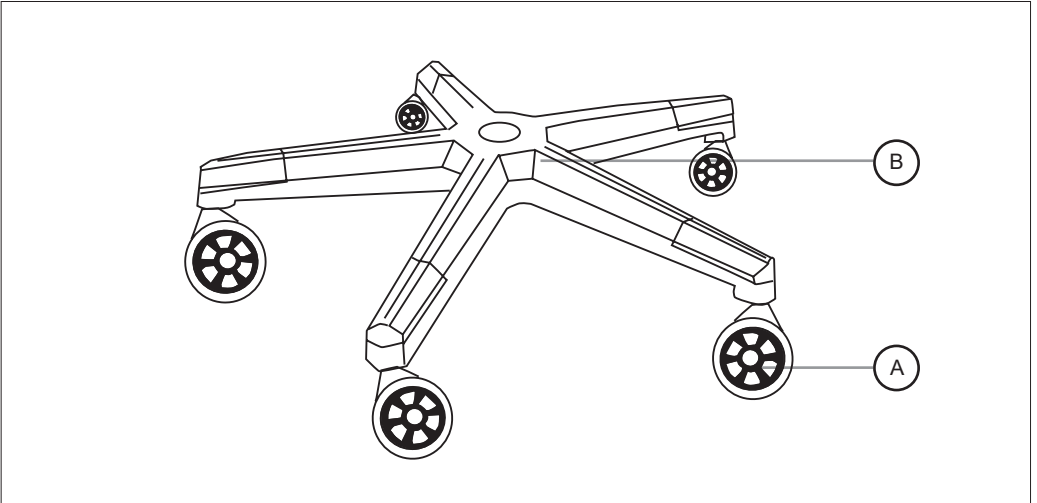
Quantity: 1



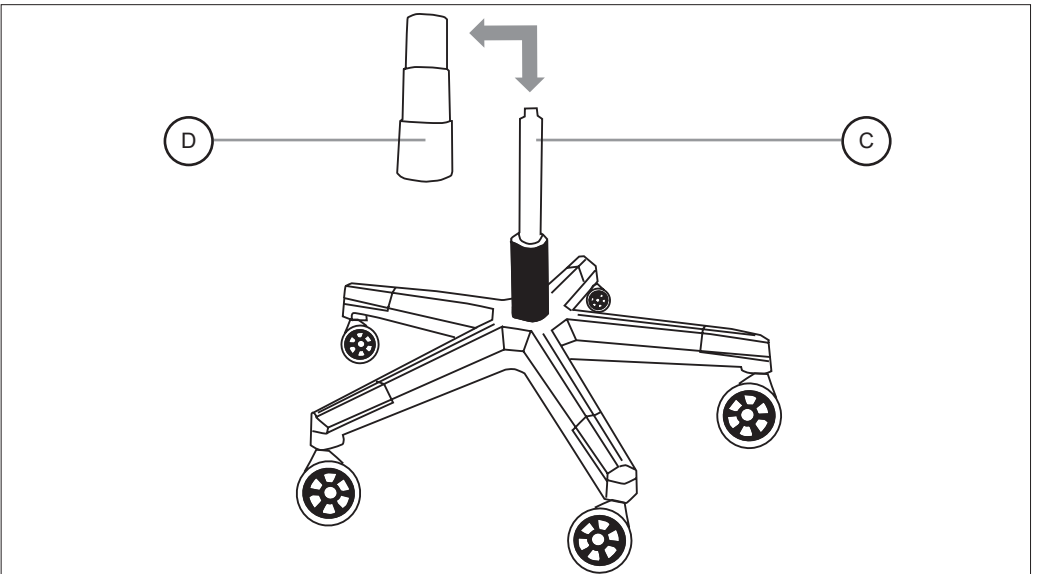
ASSEMBLY INSTRUCTIONS



STEP 1 : Turn the Star Base upside down, then press the Casters into the holes at the end of each base leg.



STEP 2 : Turn the Star Base upright and insert the Lift into the center hole of the Star Base, the Lift Cover should be placed over the Lift.

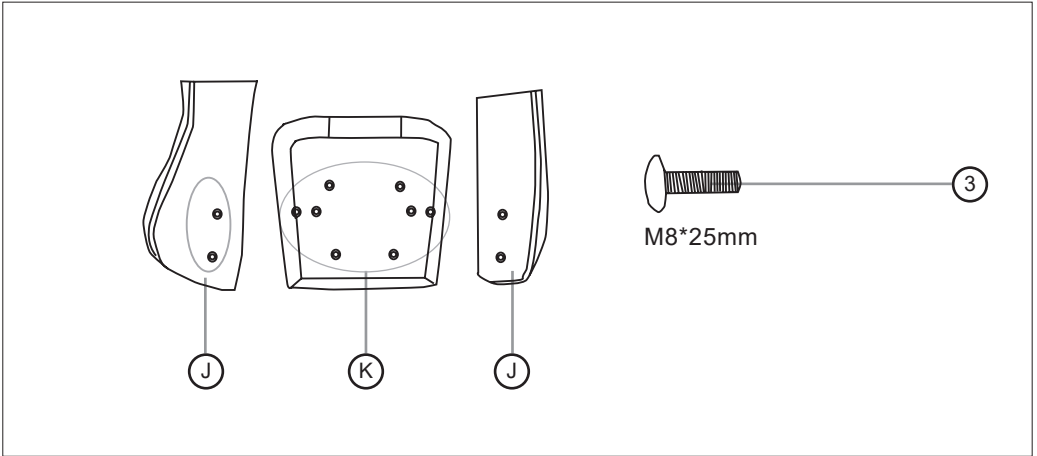




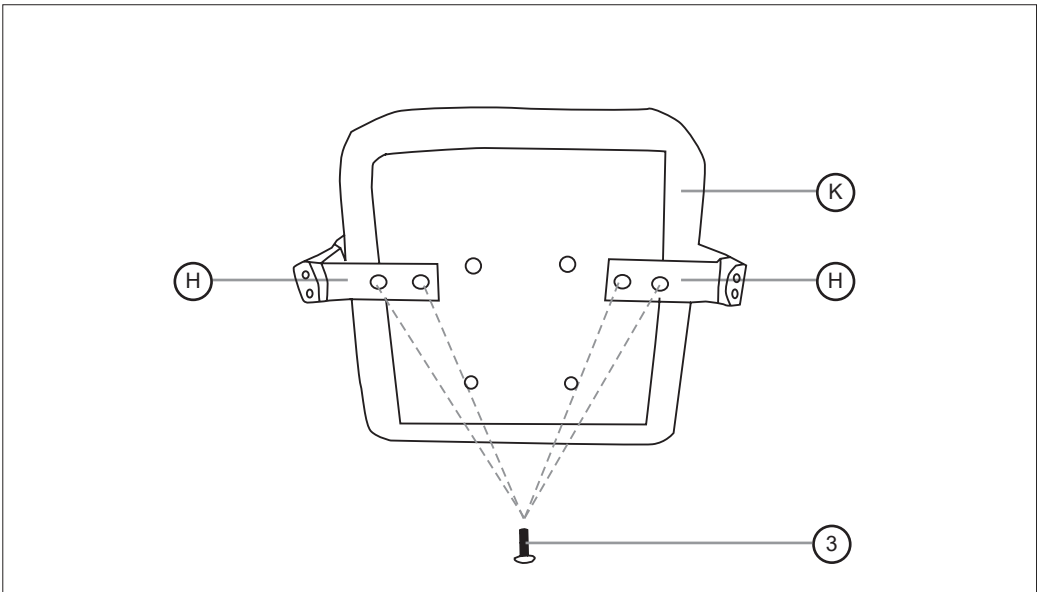
ASSEMBLY INSTRUCTIONS



STEP 3 : Remove All M8*25mm Bolts from the seat cushion and back cushion.



STEP 4 : Attach the arms to the seat cushion with M8*25mm bolts, using the Wrench.

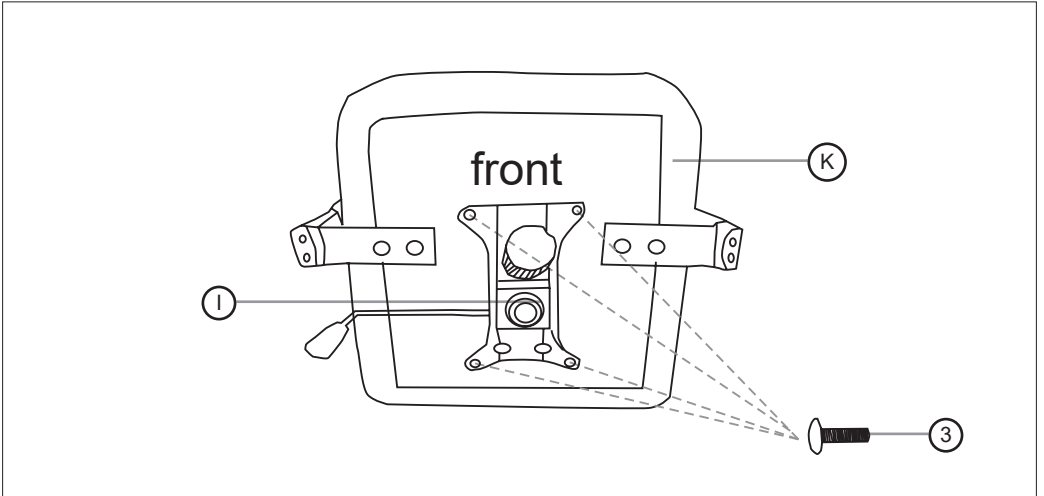




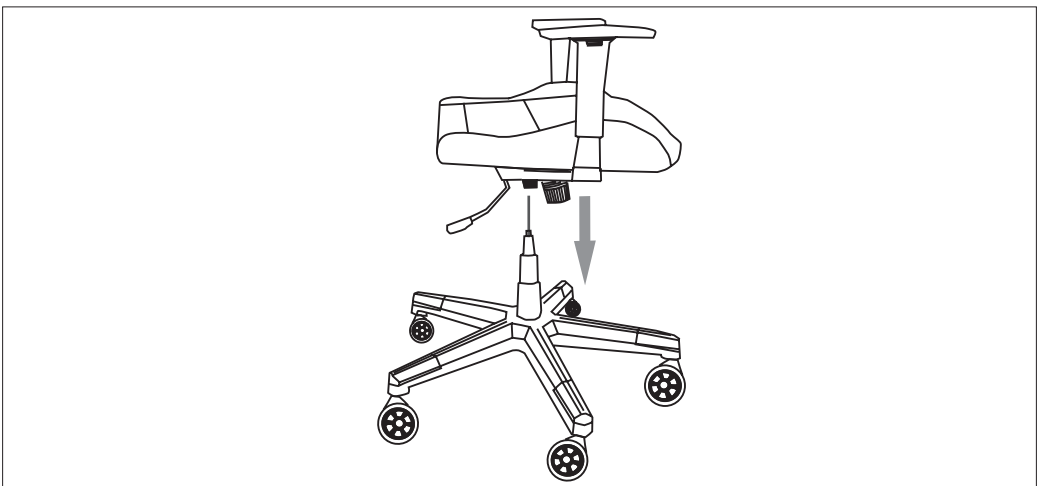
ASSEMBLY INSTRUCTIONS



STEP 5 : Align the seat plate to the bottom of the seat cushion, make sure that the front of the seat plate is facing the front of the seat cushion. Attach the seat plate to the seat cushion using four M8X25mm bolts, tighten all the bolts with the wrench.



STEP 6 : Turn the seat cushion upright and align the center hole of the seat plate over the lift, then push the seat cushion down onto the lift firmly until the connection is secure.



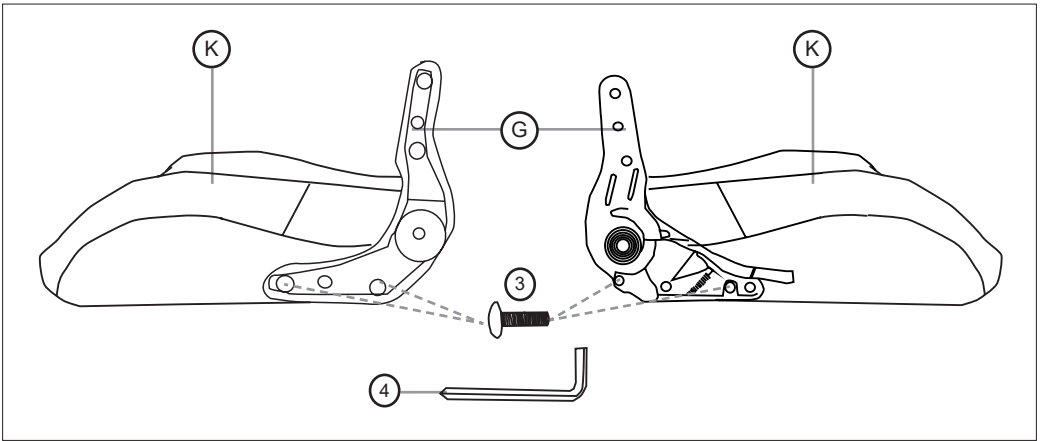


ASSEMBLY INSTRUCTIONS



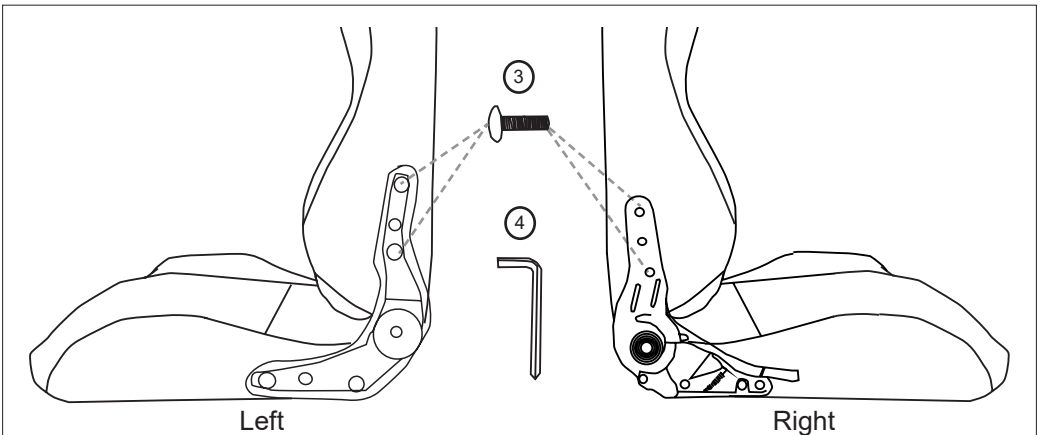
STEP 7: Using Adjusters to attach Seat Cushion and Back Cushion, align the adjusters over the pre-drilled holes underneath the seat cushion and back cushion with M8x25mm Bolts, tighten all the bolts with the wrench.

Note: Do not tighten the bolts fully at this step.



STEP 8: Attach Seat Cushion and Back Cushion, align the adjusters over the pre-drilled holes underneath the back cushion with M8x25mm Bolts, tighten all the bolts with the wrench.

Note: Do not tighten the bolts fully at this step.



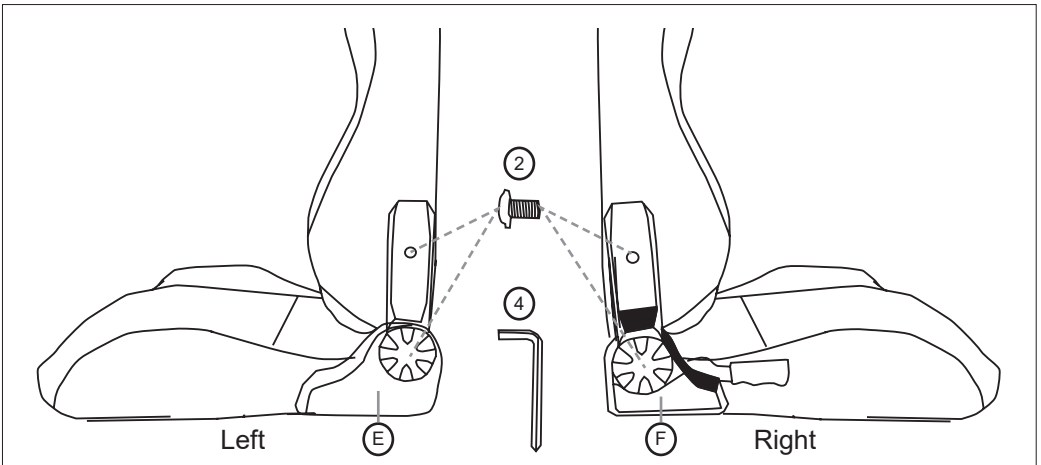


ASSEMBLY INSTRUCTIONS

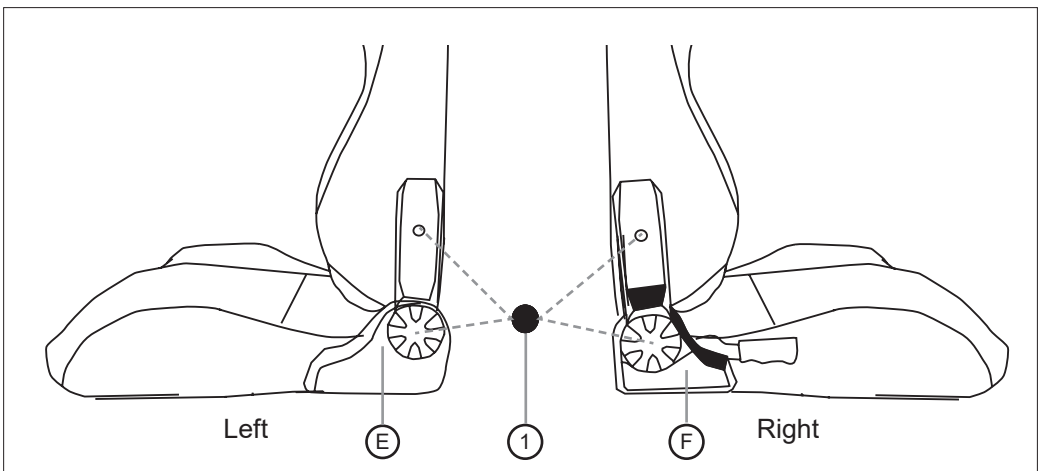


STEP 9: Adjust the balance, then fully tighten all the bolts on each side of adjusters.

STEP 10: Attach the Plastic Cover on right and left side with M5X8mm bolts, using the wrench.



STEP 11: Press the plastic caps into the adjuster holes to cover the bolts.

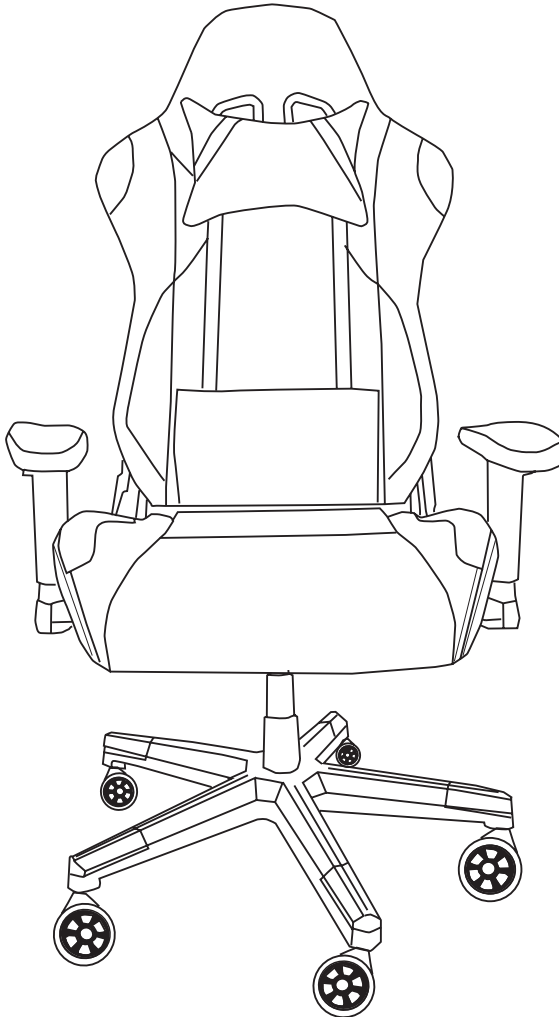




ASSEMBLY INSTRUCTIONS



Congratulations! You've assembled your Killabee chair.



If you have any problems during installation or other issues, please contact us service@killabee.net, we will reply your email in 24 hours.



FREQUENTLY ASKED QUESTIONS <<

1.How do I order replacement parts? When am going to receive them?

For fastest service, please contact us directly from amazon.com or service@killabee.net for further help. Covered under warranty, there is no charge for replacement parts, we normally ship replacement parts within 48 hours.

2.How do I adjust the seat height?

While seated, lean forward, lifting your body weight from the seat, reach underneath the right side of chair and locate the handle. Lift the handle up slowly with a clockwise twisting motion to allow the chair to rise to the desired height. To lower seat height, lift the handle slowly with a clockwise twisting motion while seated.

3.How do I Tilt (Recline) in the chair?

While Seated, reach underneath the right side of chair and locate the handle. Slide the handle all the way out towards the right (away from the seat). When the handle is in this position, leaning back will cause the chair to tilt backwards. To lock the chair in the upright (vertical) position, sit in the chair, and push the handle in to the left (towards center of seat). If your chair tilts forward instead of backward, then you may have the seat plate on backward.

4.How should the chair be cleaned?

While we do not recommend a particular brand of cleaning product, you can use a damp cloth to wipe down your chair. Or you can use an over-the-counter cleaner made for the bonded leather upholstery on your chair. If you would like to use a cleaning product, we suggest that you test the cleaner on the bottom side of the chair first to make sure the cleaner doesn't alter the material, before applying the product on the entire chair.

Please note that any type of discoloration or alteration made to the chair from a cleaner will automatically void the warranty.



FREQUENTLY ASKED QUESTIONS <<

5.The casters are difficult to install, how do I install the casters?

Step 1. The metal stem needs to be fully inserted into the bottom of the star base in order for the caster to stay in. There are 2 options. One: lay the base on the carpeted ground, with the bottom of the base facing upward. Insert each caster into the hole by applying pressure with your thumb at the base of caster. They should pop in easily. Two: hold the 5-star base in an upright position (One leg is on push the caster in with a little force, twisting or using a soft mallet to tap in).

6.My Caster broke, how do I remove the metal stem form the base?

You can use pliers to remove the metal pin, or you can contact us for replacement parts.

7.The chair seems to wobble side-to-side, how can I fix it?

Make sure all screws are properly tightened, especially the screws attaching the seat plate to the seat cushion. If this does not solve the problem, you may need a new seat plate, and gas lift for your chair. Please contact us at service@killabee.net.

8.The chair Sinks or the gas lift (seat post) does not maintain its pressure.

Refer to question above, “ how do I adjust the seat height?” if the seat will not maintain its height, order a new gas lift and seat plate service@killabee.net, just provide the order number and tell us where your bought.

9.How do I remove/replave the seat plate and/or gas lift?

Refer to page 7 for images and links to video demonstrations. To remove the seat plate from the gas lift: you will need to turn your chair over. Next, get a rubber mallet. You will want to hit around the area that the gas lift (Cylinder) goes inside the seat plate (The black metal plate attached to the seat that has a handle). After you hit the seat plate, give the gas lift a pull and see if it is coming loose.



FREQUENTLY ASKED QUESTIONS <<

There two items are locked together by pressure; the more you hit the seat the more pressure will be released. Eventually the two items will separate. To remove the gas lift from the five star base: please turn the chair upside down. There are about one to two inches where the gas lift (Cylinder) goes through the 5 star base (The leg with wheels). Next, grab a rubber mallet. Then, if you look in the center of the gas lift, there is a little clip. You do not want to hit the clip in the middle as it will release the pressure needed in order to raise or lower your chair. You will want to hit the outer edge or the rim of the gas lift. The more you hit the gas lift the more pressure will be released. After you give the gas lifts a few hits, it should come right out, or give it a pull and see if its loose, if it still won't budge, when visit www.killabee-gaming.com or email us at service@killabee.net to order a new seat plate and gas lift.

10.How do I remove/replace the base from the gas lift?

The chrome metal base is very difficult to remove from the metal gas lift cylinder if the chair has been sat it. You may to use a rubber mallet and hammer the post from the underside of the base. If you are still unable to disengage the base, contact us at service@killabee.net

11.How do I remove the screw caps from my armrests?

To remove the screw caps on the armrests to expose the screws, use a ahead screwdriver and a small hammer to tap gently the edge of the screw cap. This will help to pry the screw cap loose from the armrest.

12.The armrests seem loose, how can i fix them?

Make sure all screws are properly tightened.

13.The parts don't seem to align, what should I do?

Do not tighten the hardware completely into the component you are assembling.Tighten hardware a quarter of the way. When all components are aligned, and the product is at sitting level, then you can tighten all the screws.



FREQUENTLY ASKED QUESTIONS <<

14.The screws wont thread into the holes, What should I do?

Be certain that you are aligned with the hole, sometimes holes in soft upholstered areas are deep set, and you may not be making contact with the female inset for the screw. Also, check that there is no debris on the screw or in the inset for the screw, you can also try the spare screw.

15.What is the warranty Length?

The warranty for your specific chair or furniture item is based on the year you item was purchased. Please note that proof of purchase is required for validation of warranty. The current warranty of seating is: one year for cushion and part (unless otherwise specified). you do not need to register your warranty.

16.How is the warranty validated?

Your warranty time period is validated by the purchase date on your original purchase receipt. (Please note that the warranty can not be validated without your original purchase receipt).

17.What is the weight limit on my chair?

The chair has been tested to meet BIFMA standards, and has a weight limit of up to 350 lbs.

SAFETY AND MAINTENANCE

- Do not stand on the chair, Do Not use the chair as stepladder.
- Use this product for seating one person at a time.
- Do Not use the chair unless all bolts and screws are firmly secured.
- Avoid contact with sharp objects to prevent puncturing the fabric.
- Every 6 months, check all bolts and screws to ensure they are tight.
- To clean, spot clean only using a damp towel and mild cleaner, first test on a small,, obscure area of fabric.
- Chair weight limit not to exceed 350 lbs.



LIMITED WARRANTY



KILLABEE warrants this product to be free from defects in material and workmanship for 1 year.

This warranty is made by KILLABEE only to the original end-user customer acquiring the product directly from KILLABEE authorized dealers as shown by the original sales receipt. The end-user customer remedy pursuant to this warranty is limited to repair or replacement of parts at KILLABEE option within a reasonable amount of time. KILLABEE reserves the right to require damaged parts to be returned to KILLABEE upon request. Natural markings such as scars, brands, grain, variations, wrinkles, color variations, etc. Will be consider normal characteristics, and not construed as defects. KILLABEE cannot warrant leather against scratching or scuffing, as well leather is subject to blemishes with use. Consent from KILLABEE must be obtained before any warranty work is performed.

This warranty shall not apply to any products which must be replaced because of normal wear and tear, negligence, abuse, or "accident", shipping damage or product use and installation other than in accordance with written instructions or warnings. It will also not apply when a product has been modified or altered, repaired, refurbished by someone other than KILLABEE or because of natural variations over which KILLABEE has no control. When repairing or replacing a defective product, KILLABEE does not guarantee matching color, grain, texture or dye lots. This warranty does not over the cost of transportation or labor, in no event shall KILLABEE be liable in either tort or contract for any loss or direct, special, incidental, consequential or exemplary damages. This limited warranty is not applicable to end-user customers who use KILLABEE for rental purposes.

E-mail: service@killabee.net
Web: www.killabee-gaming.com