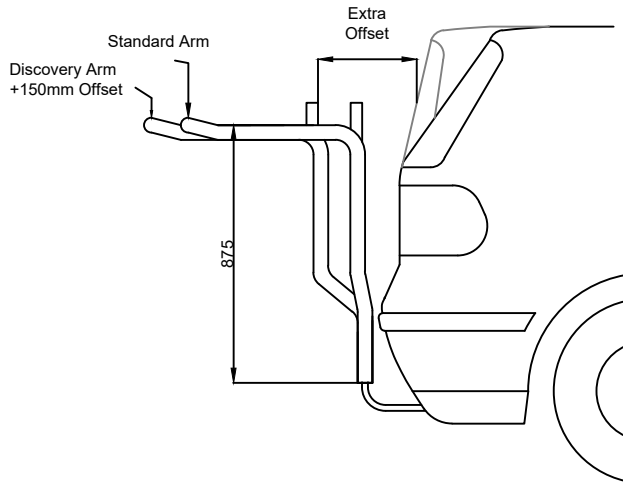


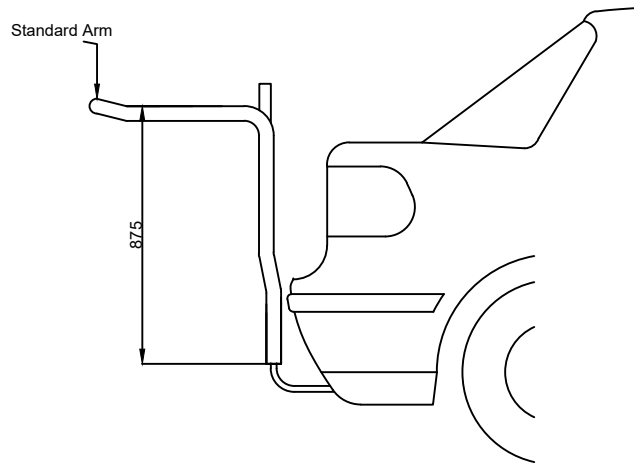
Hatchbacks, SUV's and Estates

Standard arms are often suitable but Discovery style arms may be required to allow room for handlebars to clear the back window



Saloons, Fastbacks and Coupes

Standard arms should be fine in most cases but Discovery arms can be used if extra clearance required.



4x4's with External Spare Wheels

Measure how far the spare wheel protrudes beyond the tow ball. For up to 150mm use Discovery Arms, for up to 250mm use Land Rover arms.

