



Model # FA-E03-14-50

Input/Output: 230VAC 40A 60Hz

Installation and User Guide



FireAvert helps protect your home from the leading cause of home fires in the United States—unattended cooking—by automatically disconnecting power to the range or stove in the event that fire or smoke are detected. FireAvert activates in response to the audible signal of an existing smoke alarm—a patented pairing feature, pairs to the sound signature on your smoke alarm. FireAvert can be installed in less than 10 minutes in a few easy steps without tools or professional assistance.

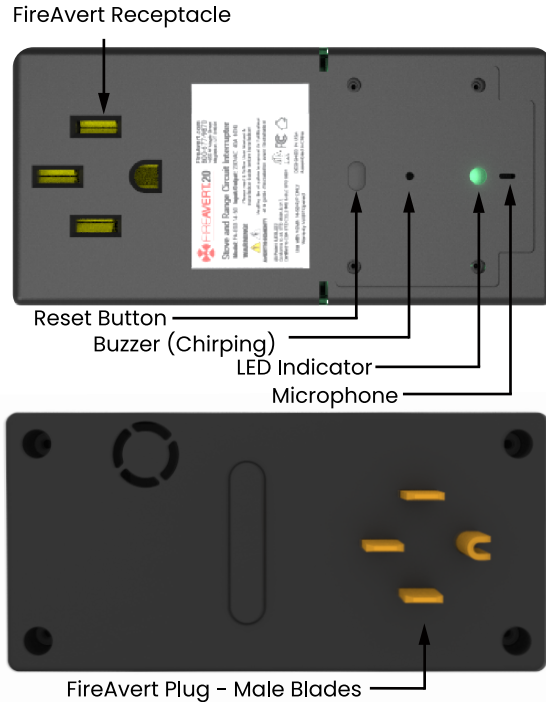
ATTENTION! TO ENSURE YOUR SAFETY WHILE INSTALLING AND USING THE FIREAVERT DEVICE, YOU MUST READ AND FOLLOW ALL INSTRUCTIONS OUTLINED IN THIS USER MANUAL

Warning!: The FireAvert is not intended to replace the user's own responsibility and good judgment in preventing fires. The FireAvert aids in preventing accidental unattended cooking fires in the kitchen. FireAvert does NOT prevent rapidly combusting fires such as grease and oil fires, rather it is most effective at preventing cooking fires where smoke is present for several minutes before a fire ignites.

Warranty Information

We only make those warranties found in the limited warranty slip included with the product.

Orientation



General Warnings & Safety Instructions

Read ALL instructions BEFORE attempting to install FireAvert. Failure to follow all instructions and warnings may result in damage to the FireAvert or your appliances, and may cause loss of property, bodily injury or death.

NEVER attempt to install a FireAvert that appears damaged or broken. IF your FireAvert appears damaged or broken, please contact customer service for assistance.

NEVER attempt to force the FireAvert plug or receptacle connections.

Never attempt to modify, alter, or adapt any part of the FireAvert for use other than outlined in this User Guide. This model of FireAvert is designed for use with NEMA 14-50 outlets and plugs ONLY.

DO NOT attempt to open the FireAvert, it contains no user-serviceable components. Attempting to open or disassemble the FireAvert voids the warranty and may render the FireAvert inoperable.

DANGER, HIGH VOLTAGE! When working with electrical devices, basic precautions should always be followed to prevent fire, injury, or death.

FireAvert is only intended to be installed and used in an environment with temperatures between 40°F-100°F (4.4°C-37.8°C), humidity less than 80%, and not excessively dusty. Dust build-up, excessive heat, or humidity may cause malfunction. [NFPA 72 29.8.3.4(2)]

DO NOT attempt to install or remove the FireAvert unit while the outlet is powered ON. You must switch OFF the circuit breaker that powers the outlet before installation or removal of the FireAvert.

DO NOT pinch or squeeze the FireAvert unit between the stove and wall outlet after installation is complete.

DO NOT use the FireAvert without successfully pairing it with your kitchen smoke alarm and completing a verification test. Please see Step 1 in the Installation Guide for more details.

The FireAvert should be checked for proper functionality every month. When checking the FireAvert follow the same instructions as used in the initial verification test. Please see Steps 5-7 in the installation guide.

If the FireAvert unit enters protection mode (in the event of a fire / smoke) and disconnects power to the appliance, follow the instructions for rebooting the unit found in this manual. **Do NOT** attempt to reboot it any other way.

If at any time the device comes out of sync with the

smoke alarm, as indicated by a flashing RED LED Indicator and a chirping noise, you must pair the unit as described in this manual before further use. If this problem persists, discontinue use and contact customer service.

In the event that a new smoke alarm OR range/stove is installed in the home, the FireAvert must be reset and paired to the new smoke alarm. See **Steps 4-7** in the Installation Instructions for details.

Approved Smoke Alarms

The FireAvert is designed to work with any modern RESIDENTIAL(NRTL Listed) smoke alarm typically found in retail stores that has a frequency around 3.2kHz. {Disclaimer: FireAvert has not been evaluated to work with low frequency (520Hz) alarms}. If for any reason your smoke alarm does not pair with the FireAvert please consider purchasing a newer smoke alarm.

The fire-warning equipment listed herein, known generally by industry designation as a "smoke alarm accessory", has been evaluated and found to be compliant for performance and operation when installed in accordance with the installation requirements for smoke alarms at a radial distance of 20 ft(6.1m) along a horizontal flow path from a stationary or fixed cooking appliance. [NFPA 72 §29]

Approved Extension Cable

If your FireAvert does not fit properly behind the stove, it may require a pigtail extension cable. Please visit fireavert.com to purchase Model # PT-E01-14-50 (4 Prong Pigtail). FireAvert is the only authorized retailer of this designated extension cable.

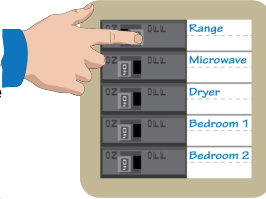
Contact Us

FireAvert, LLC
www.fireavert.com
support@fireavert.com
1.800.677.9870
224 S Main St. #529
Springville, UT 84663

Installation Instructions

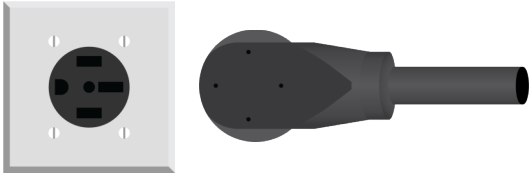
1. Switch OFF the circuit breaker to the range.

*Note: Test your appliance for power to verify that the correct breaker has been switched off.



2. Move the stove away from the wall to provide access to the power outlet and **unplug** the appliance by gently rocking the plug up and down, and from side to side while withdrawing the plug.

Note: This model of FireAvert is designed to be used with NEMA 14-50 plugs and outlets ONLY.



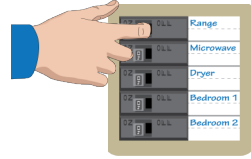
3. Install the FireAvert. Insert the range plug into the receptacle on the FireAvert. Line up the male blades on the back of the FireAvert with the power outlet on the wall. Use both hands to insert the FireAvert firmly into the outlet until the FireAvert sits completely flush against the outlet face.



4. Push the range back against the wall. YOU MUST PUSH THE STOVE BACK AGAINST THE WALL AND SECURE THE ANTI-TIP BRACKET BEFORE ATTEMPTING TO TURN ON THE CIRCUIT BREAKER. Pairing the FireAvert with the stove out from the wall will result in the FireAvert not pairing properly with the smoke alarm.

5. Switch ON the circuit breaker to the range. After installation, the FireAvert automatically enters Pairing Mode as indicated by a solid GREEN LED indicator with an intermittent RED flash and chirping noise.

*NOTE: The stove elements and display clock will not have power UNTIL the FireAvert has been properly paired to the smoke alarm.



6. Prepare the stove/range for pairing by ensuring that ALL oven and range elements are in the OFF position.

7. Pair by first silencing the room. Pair the nearest smoke detector to the FireAvert by pressing and holding the "Test" button on the smoke alarm until the smoke alarm sounds for approximately 30 seconds. When successfully paired, the LED indicator on the FireAvert will remain GREEN, and the RED flashing LED with intermittent chirping will stop, and the stove will turn ON. PLEASE USE EAR PROTECTION WHEN SOUNDING ANY SMOKE ALARM.



8. Perform a user test by heating a pot of water on the stove. While the water is heating, press and hold the button on the smoke alarm for approximately 1 minute until the FireAvert cuts power to your stove. If the pairing is successful, the FireAvert will cut power to the range within 10-40 seconds.

Proceed to Operating Instructions: "Rebooting the FireAvert"

INSTALLATION IS NOW COMPLETE!

*NOTE: FireAvert's ability to recognize a smoke alarm may be compromised by loud music, background noise such as fans or vacuums, or if the paired smoke alarm is too far from the range.

Test

It is recommended that you perform a user test of your FireAvert device(s) with your monthly smoke alarm tests. Refer to **step 8** for testing procedure.

Operating Instructions

FireAvert Protection Mode -After pairing the FireAvert to the smoke alarm, the FireAvert constantly monitors the surrounding area for the sound of the smoke alarm. The FireAvert has a 20 second delay from the time the smoke alarm begins to sound until it enters Protection Mode and disconnects power to the range. When the FireAvert is activated and enters Protection Mode, it automatically disconnects power to your range and the LED indicator on the FireAvert changes to solid RED.

Rebooting the FireAvert- In the event that the FireAvert enters Protection Mode and cuts power to your appliance, you must reboot the FireAvert before it can be used further. To reboot the FireAvert, switch OFF the circuit breaker to the range for 10 seconds, then switch it back ON again. The reboot is successful when power is restored to the range after the circuit breaker has been turned ON.

Resetting the FireAvert- If a new smoke alarm or range/ appliance is installed in the home or building where the FireAvert is located, the FireAvert will need to be reset to Pairing Mode and then paired to the new smoke alarm. With power to the FireAvert, push the FireAvert "Reset Button" (see orientation diagram to locate). The FireAvert LED will begin flashing RED and GREEN, with intermittent chirping, and the stove will lose power. The FireAvert is now in pairing mode, proceed to **steps 4-8** in the installation instructions.

Scan QR
with smart
phone for additional
specifications



Troubleshooting / Maintenance

Issue	Possible Solutions
LED indicator is off and no chirping sound.	Switch the circuit breaker OFF for 10 seconds, then back ON. Repeat several times if necessary. If not working, contact customer support
The FireAvert keeps chirping.	The smoke alarm may be too far away from the FireAvert. Move the smoke alarm location closer to the FireAvert and repeat Steps 7 - 8. If the FireAvert continues to chirp after moving the smoke alarm, contact customer support.
The FireAvert is not cutting power to the stove reliably.	Install new batteries in the smoke alarm and move the smoke alarm closer to the appliance where the FireAvert is installed. Reset and pair the FireAvert. If the issue persists please contact customer support.
My stove will not push flush against the wall.	A pigtail extension can allow you to move the FireAvert into the void space behind the stove. Please contact your sales rep or go to: www.fireavert.com/pigtail for your discounted pigtail.
My FireAvert is making a humming sound.	Remove the FireAvert and contact customer support.