



 **READYLIGHT**

**INSTRUCTIONS FOR ASSEMBLY
AND OPERATION**

THANKS FOR PURCHASING READYLIGHT!

... and congratulations. You're now part of the ReadyLight family, and own one of the best mobile lighting solutions available on the market today. ReadyLight's intuitive, all-in-one design, adventure-tested materials and intelligent engineering guarantee many years of fun memories and reliable performance.

Ready? Let's light it up!

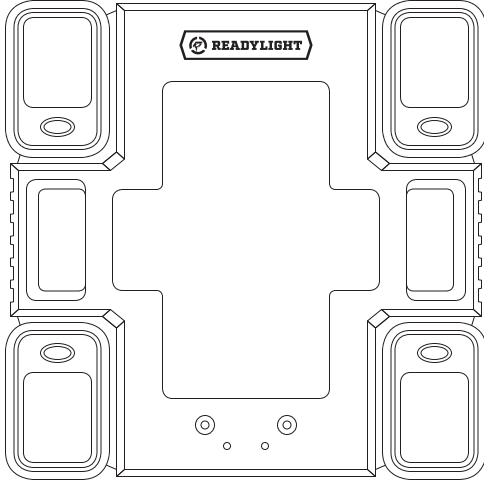




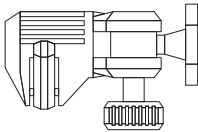
READYLIGHT

READYLIGHT

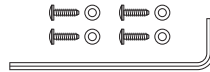
PACKAGE CONTENTS



READYLIGHT HEAD

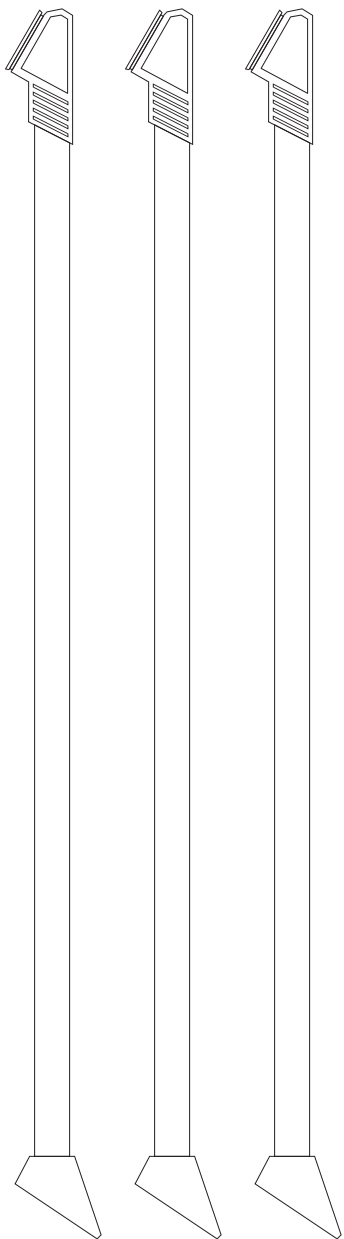


TRIPOD SWIVEL CLAMP



FASTENERS, LOCK WASHERS,
HEX-KEY WRENCH

2 FASTENERS REQUIRED;
2 EXTRAS ARE PROVIDED



TRIPOD LEGS

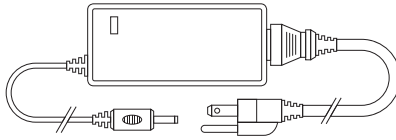


TRIPOD ROD

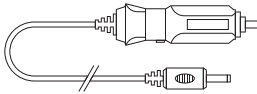


TRIPOD ROD
LOCK NUT

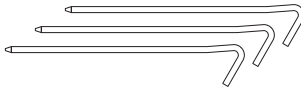
PACKAGE CONTENTS



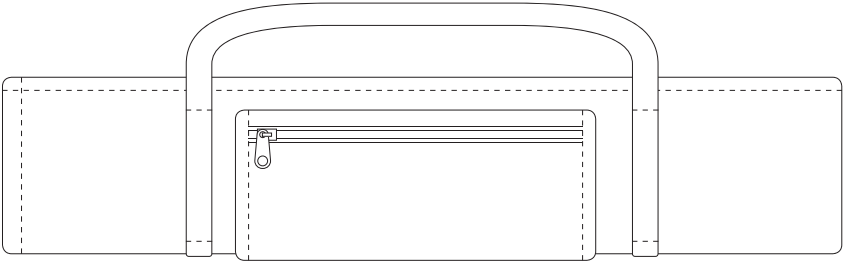
AC POWER ADAPTER



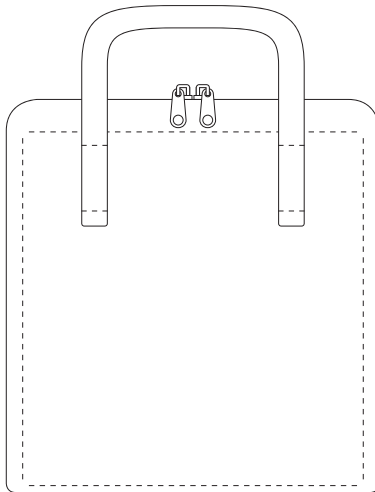
DC POWER ADAPTER / CAR CHARGER



GROUND STAKES



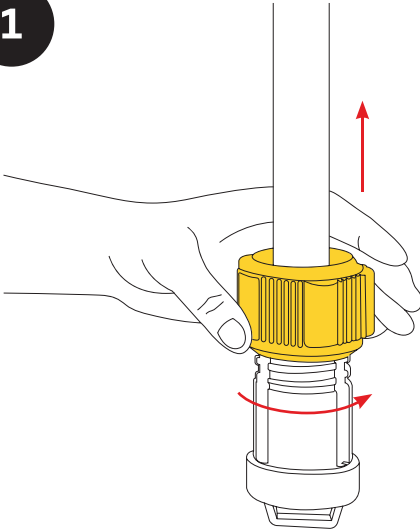
CARRYING CASE



CARRYING CASE

ASSEMBLE TRIPOD

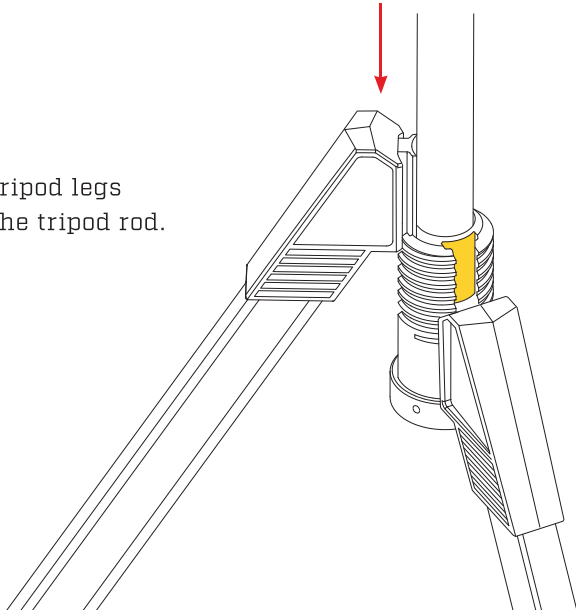
1



Loosen tripod rod lock nut by turning nut counterclockwise. Pull up and away from end of rod.

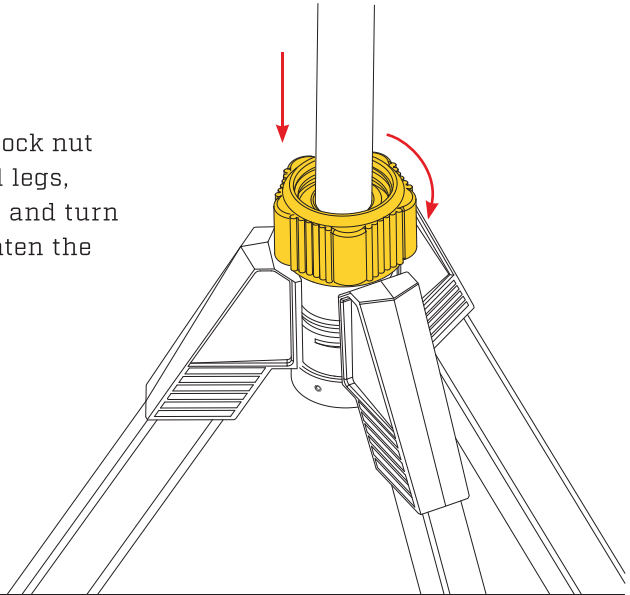
2

Insert the three tripod legs into the slots in the tripod rod.



3

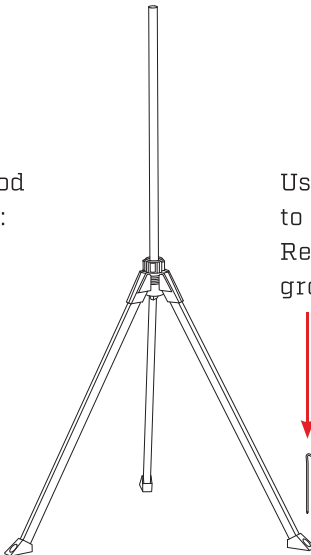
Slide tripod rod lock nut down onto tripod legs, begin threading, and turn clockwise to tighten the assembly.



4

Your assembled tripod should look like this:

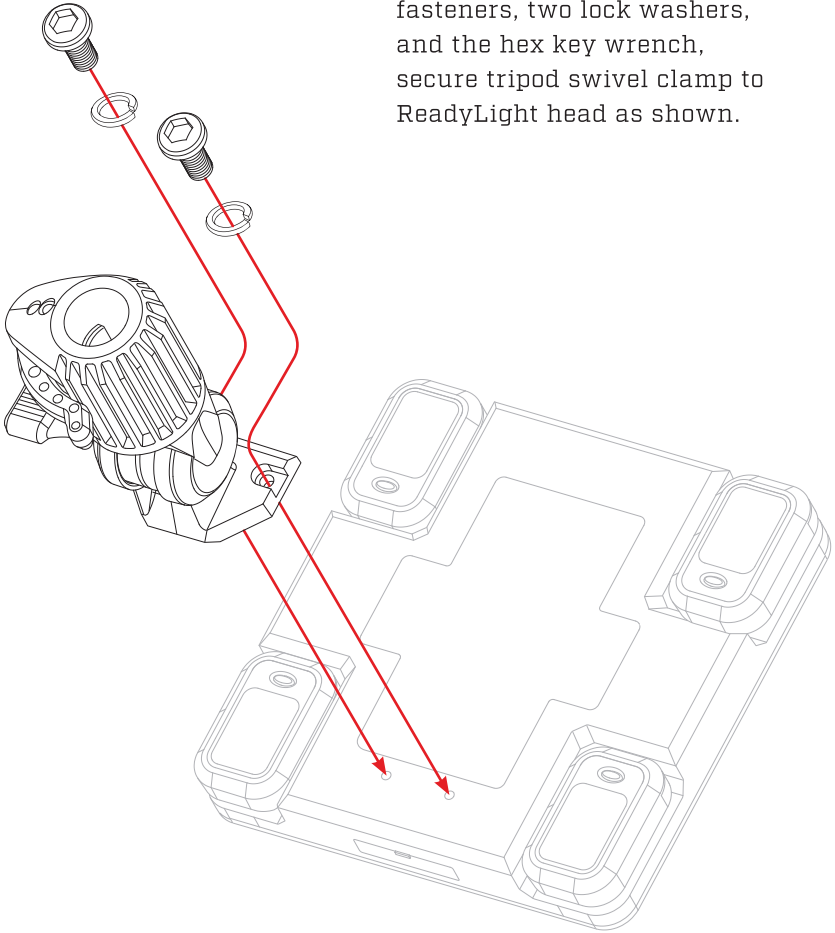
Use the supplied stakes to firmly anchor your ReadyLight to the ground.



ASSEMBLE HEAD

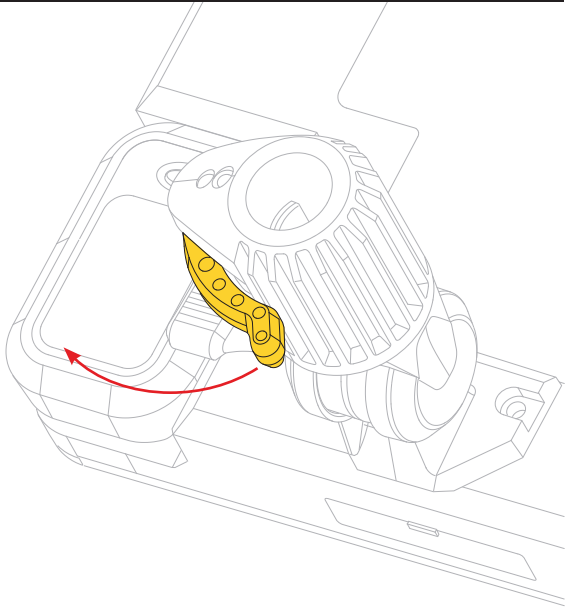
5

Using two of the supplied fasteners, two lock washers, and the hex key wrench, secure tripod swivel clamp to ReadyLight head as shown.



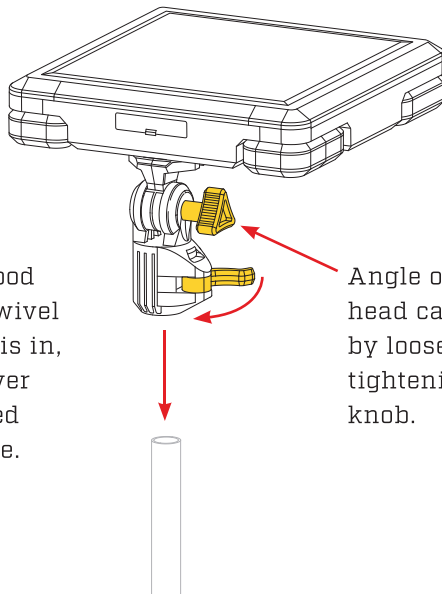
6

Release locking lever on swivel clamp...



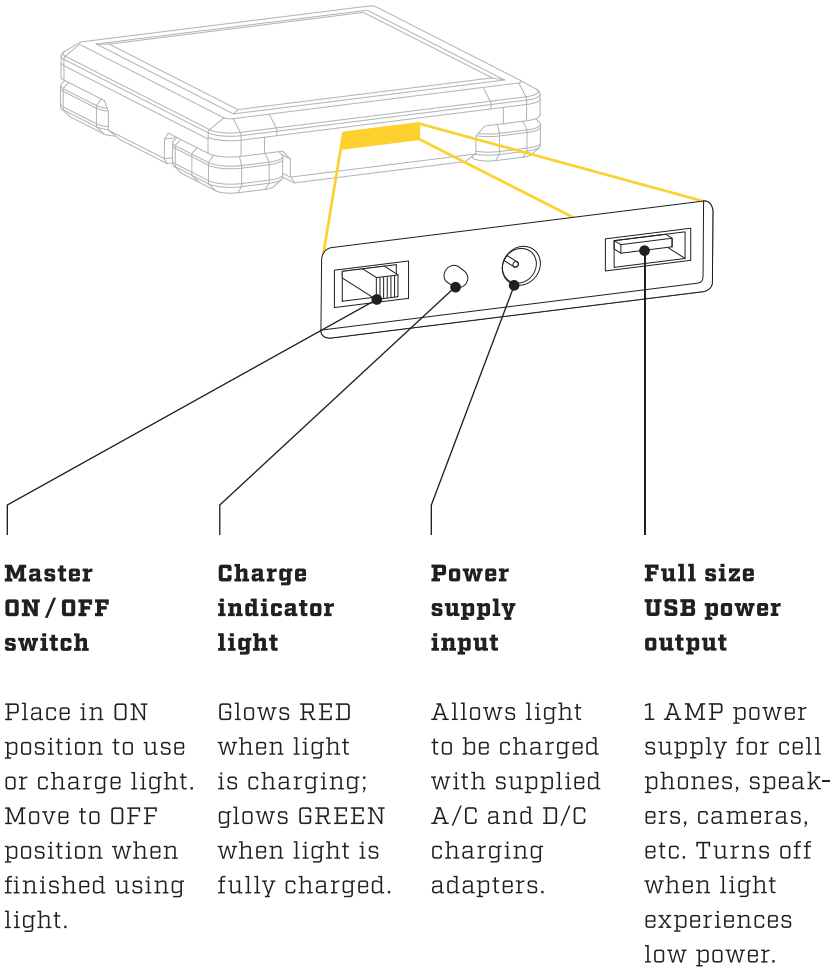
7

Insert end of tripod rod into tripod swivel clamp. Once rod is in, move locking lever back to the locked position to secure.

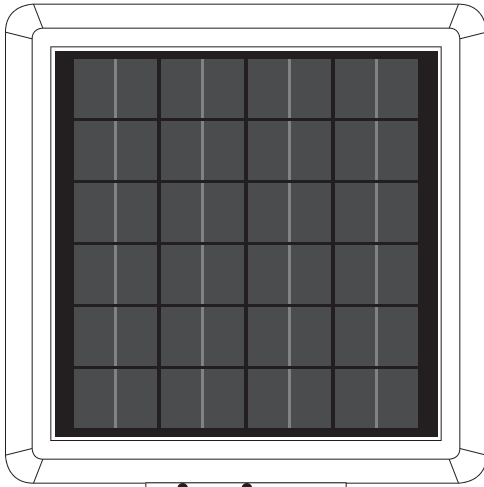


Angle of ReadyLight head can be adjusted by loosening and tightening triangular knob.

MAIN PANEL



CHARGING



1

Place master ON/OFF switch in ON position. This allows your ReadyLight to receive a charge.

2

Charging source: Connect to the A/C or D/C adapter, OR position your ReadyLight in direct sunlight and it will automatically begin solar charging.

3

Give your ReadyLight time to charge:

AC/DC..... 6 hours
Solar24 hours

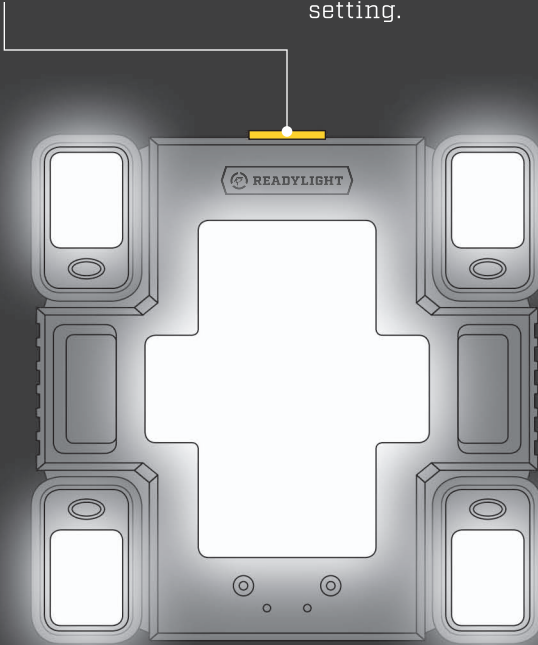
MAIN LIGHT OPERATION

1

Turn on light:

Press and hold ON/OFF
button for 1-2 seconds...

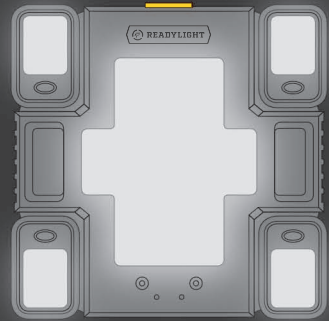
... lights will first activate
at their brightest (5 WATT)
setting.



2

**Momentarily depress
ON/OFF button a second time:**

Lights will dim to their low
[2.5 WATT] setting.



3

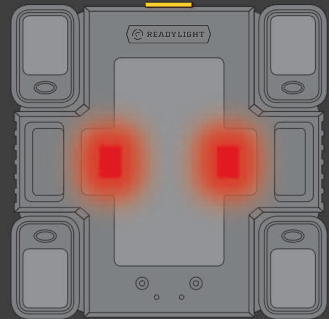
**Momentarily depress
ON/OFF button a third time:**

Main lights will deactivate
and red warning lights will
turn on and blink slowly.

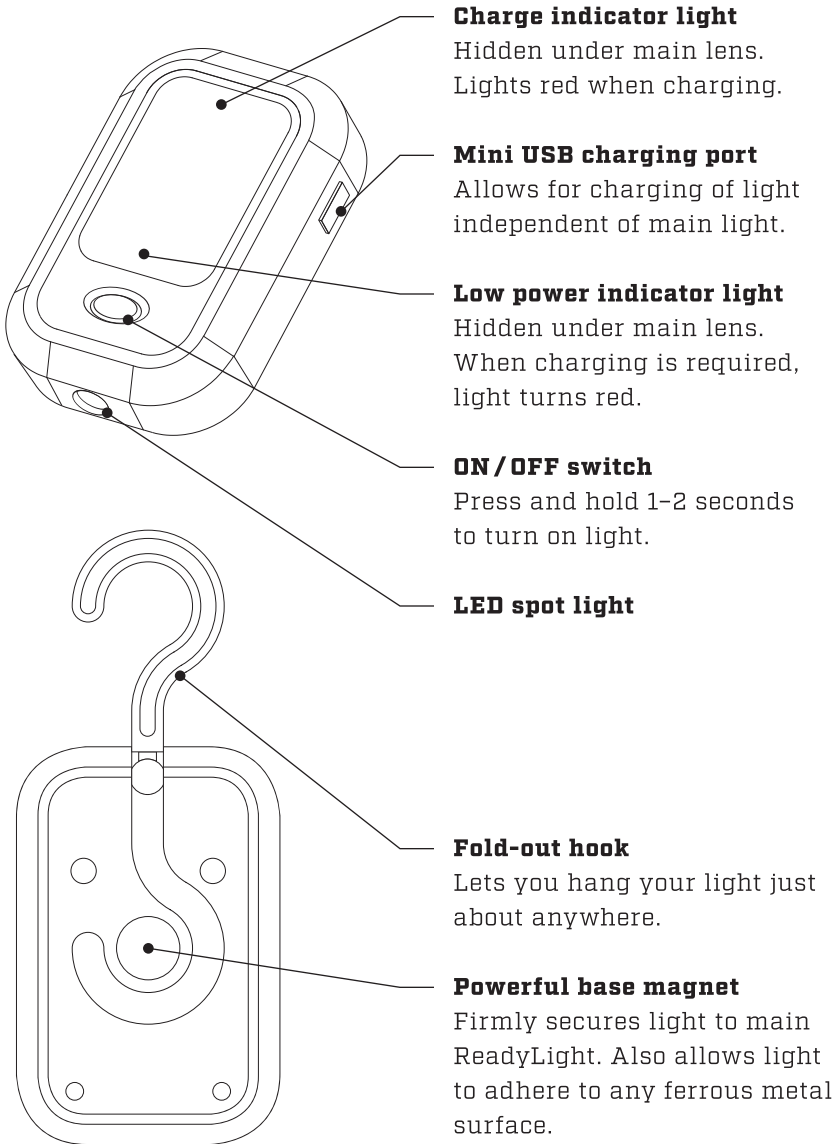
To repeat the cycle of light
functions, continue to depress
the ON/OFF button.

Press and hold ON/OFF
button to turn off light.

Red indicator lights will flash
quickly when batteries are low
on power.



PORTABLE LIGHTS



PORTABLE OPERATION



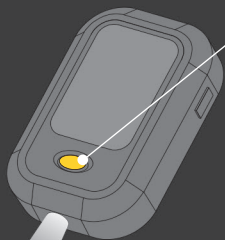
To activate light:

Press and hold ON/OFF button for 1-2 seconds. Main light activates at its brightest setting.



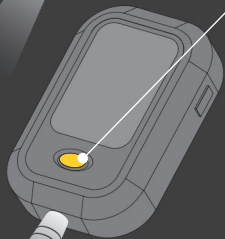
Momentarily tap button once:

Main light dims.



Tap button a second time:

Main light deactivates.
Spot light activates.



Tap button a third time:

Spot strobe light activates.

To repeat the cycle of lighting functions, momentarily depress the ON/OFF button again.

Press and hold ON/OFF button to turn off light.

SPECIFICATIONS

MAIN LIGHT

BATTERY TYPE.....	Lithium-Ion
BATTERY CAPACITY.....	7.4V 7800mAh
DC POWER.....	12V CLA charger
AC/DC CHARGE TIME	6 hours
SOLAR CHARGE TIME.....	up to 24 hours
RUN TIME	15 hours / 30 hours
MAXIMUM POWER	15W
BRIGHTNESS SETTINGS	5W / 2.5W
LUMENS.....	350lm / 175lm
CHARGING TEMPERATURE, CELSIUS.....	0°–50°
DISCHARGE TEMPERATURE, CELSIUS.....	-20°–50°
EXTERNAL USB POWER SUPPLY.....	5V 1A

PORTABLE LIGHTS

BATTERY TYPE.....	Lithium-Ion
BATTERY CAPACITY.....	3.7V 1800mAh
WATTAGE, SINGLE UNIT	1W
WATTAGE, ALL 4 UNITS.....	4W
LUMENS, SINGLE UNIT	80lm
LUMENS, ALL 4 UNITS.....	320lm
RUN TIME, SINGLE UNIT.....	8 hours
CHARGE TIME	8 hours
WORKING TEMPERATURE, CELSIUS	-20°–60°

TOTAL LIGHT SPECIFICATIONS

LUMENS.....	500lm
RENDERING INDEX.....	Ra80
CCT	6500K
SERVICE LIFE.....	20,000 hours
WORKING HUMIDITY	≤ 95%
SHELL MATERIAL	Flame-retardant ABS
INGRESS PROTECTION	IP63



FREESPIRIT DENVER
120 CAPITAL DRIVE
GOLDEN, CO 80410

FREESPIRIT BEND
2453 NE 4TH STREET, SUITE 110
BEND, OR 97701

WWW.GOFSR.COM
Have Questions?
Please reach out to sales@gofsr.com.
#gofsr