

FREESPIRIT
RECREATION



ODYSSEY SERIES

ROOF TOP TENT

INSTRUCTION MANUAL

CONTENTS

Before using this product, please consult the instruction manual to ensure proper use.

INSTRUCTIONS

- 1. Product Specifications 3
- 2. Product Frame 3

INSTALLATION

- 1. Installing Your Odyssey Series Tent 4
- 2. Setting Up Your Odyssey Series Tent 6
- 3. Closing Your Odyssey Series Tent 7
- 4. Important Information 8
- 5. Troubleshooting 8
- 6. Safety Information 9
- 7. Important Information 10
- 8. Warranty 10
- 9. Tools 10



INSTRUCTIONS

The Odyssey Series roof top tent features a patented gas strut-assist and dual tensioning system which allows you to set up in seconds rather than minutes. Sporting a 7" profile and a lid that can handle up to 220lbs. of gear, your outdoor adventures just went from ordinary to epic!

PRODUCT SPECIFICATIONS

- A.** The frame consists of aluminum alloy parts, with strong nylon joints.
- B.** Double layer silver coating treatment for outer tent material, offers better heat insulation and waterproofing.
- C.** The top-quality mattress provides a comfortable sleeping experience.
- D.** Telescoping aluminum alloy ladder is removable and can hold up to 330lbs (150kg).

Fly: 210D rip-stop polyester PU 3000mm with 3-layer silver coating

Body: 3 layers of 150D poly-oxford

Floor: 210D poly-oxford PU 3000mm Frame: Aluminum Alloy

Cover: 600g heavy duty PVC floor

Crossbar Static Load Capacity: 330lbs single point; 660lbs entire shell

49" HARD TOP

Inner: L83 x W48 x H35-43 in

Outer: L83 x W52 x H7 in

Weight: 134 lbs

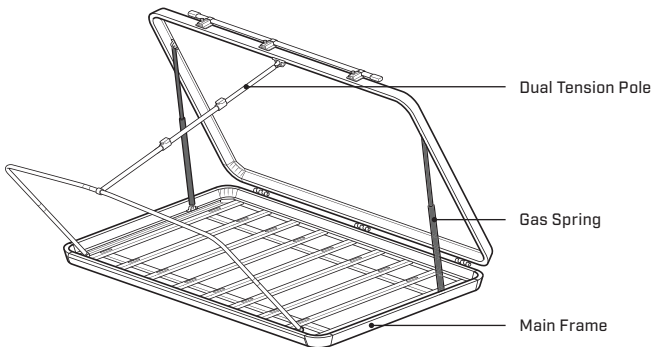
55" HARD TOP

Inner: L83 x W55 x H35-49 in

Outer: L87 x W60 x H7 in

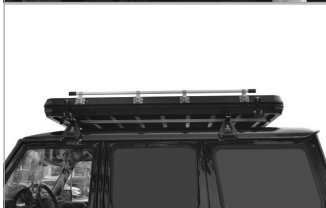
Weight: 154 lbs

PRODUCT FRAME



INSTALLING YOUR ODYSSEY SERIES TENT

- 1.** Make sure your roof rack is rated for this roof top tent. You may need to contact your local dealer for more information.
- 2.** For proper load bearing, space your cross-bars approximately 36" - 42" apart from each other.
- 3.** It is recommended to center the tent evenly on the cross bars. Too much excess on the front can cause the tent to move up and down during travel.
- 4.** Slide the m8x50mm bolts into the rails so one is on each side of your cross bar **[see Picture 1]**.



Picture 1



5. Install the rubber coated u-mount under the cross bars so the m8 bolts go through the holes. Secure using the flat washer, followed by the lock washer, and tighten the star knob until secure [see **Picture 2** and **Picture 3**].



Star Knob with M8 Nut



Rubber Coated U-Mount



M8 Flat Washer



M8 Lock Washer



M8X50mm Bolt

SETTING UP YOUR ODYSSEY SERIES TENT



1. Release front and side latches.



2. Push the gas assisted lid upwards.



3. Hook the telescoping ladder into the mounting hardware of the tent and extend downwards.



4. Push the button on each side of the front u-pole and carefully extend it until the buttons lock into the upper holes.



5. Unzip the ceiling fabric to expose the dual tensioner pole. Carefully stretch each side and lock each clasp when proper tension is achieved.



6. Check all straps and buckles to ensure they are snug before use. Tent set-up is complete.

WARNING - Do not pull down or push up on the tensioner pole which could cause it to bend and not allow you to close the tent properly.

CLOSING YOUR ODYSSEY SERIES TENT



1. Unzip the ceiling fabric and unlock both clasps on the tensioner pole.

WARNING - Do not pull down or push up on the tensioner pole which could cause it to bend and not allow you to close the tent properly.



2. Push the buttons on the front u-pole and carefully lower until it locks in the lower position.



3. While on the ladder, pull the lid down and ensure excess fabric is tucked in.



4. Remove the telescoping ladder and store inside your vehicle.



5. Secure front and side latches and always double check they are closed prior to departure.



6. Once the tent is closed, always visually inspect the mounting hardware and hand check for tightness. It is recommended to inspect and test on a regular basis.

IMPORTANT INFORMATION

1. Always ensure the tent is dry prior to closing. If this isn't possible, open immediately when you arrive at your home or next destination. Storing a wet tent can lead to the formation of mold & mildew.
2. It is recommended to store the tent indoors if it's not going to be used for long periods of time. When storing indoors, be sure to place the tent on a padded surface and away from heavy traffic and debris.
3. It is recommended to clean and treat your tent annually to ensure the longest life possible.
4. Never leave the tent open for long periods of time where insects, rodents, or moisture could damage the tent.
5. Keep children away from a stored tent, and ensure it can't be tipped over accidentally.
6. Regularly check hardware for rust, and replace as needed.
7. When opening and closing the tent, never force any of the components which could result in damage. Always inspect the components if something doesn't sound or feel right. Metal components may need to be cleaned with a brush or soft cloth to ensure proper operation.

TROUBLESHOOTING

IF THE TENT STOPS WORKING

1. Check if the fabric is caught in the support poles.
2. Check if the gas strut is leaking air. If a replacement is needed, remove by releasing both ends that connect to the tent. Call if additional support is needed.
[see photo below].



SAFETY INFORMATION

1. We recommend that you **DO NOT** drive over 70mph (110kmh) while using your roof top tent and that you adhere to speed limits.
2. Always regularly inspect your tent for damage and that it is securely attached to your cross bars.
3. **DO NOT** use your roof top tent if there is any visible damage to any part or its components, instead contact us to see how we can help.
4. Unsecured loads and incorrectly mounted roof racks or cross bars can come loose during travel and cause serious accidents.
5. Make sure that you give due consideration to the change in your vehicle height and driving behavior [side—wind sensitivity, corner and braking behavior].
6. Always consult your vehicle and roof rack manuals and ensure you are following their advice. It is recommended to carry your vehicle manual, roof rack manual, and roof top tent manual in your vehicle.
7. Do not use bleach or any other chemicals that would otherwise damage your tent or vehicle.
8. Please note the following when using your roof top tent:
 - The clearance height of your vehicle with the tent mounted on your roof rack.
 - Be aware of low entrances, low hanging branches, and other hazards that could damage your roof top tent or vehicle.
 - Wind noise may be generated when traveling with a roof top tent.
 - You must always remove your roof top tent prior to going through any type of automatic car wash.
9. In addition to these usage instructions, due consideration should also be given to mounting instructions for your roof bars and the operating instructions for your vehicle.
 - For reasons of fuel economy and the safety of other road users, your roof top tent and roof bars should be removed when not in use.
 - For your safety, only use a roof rack or cross bars that are approved for your vehicle. The dynamic weight rating must be greater than the weight of the roof top tent and any gear you store on top of it.
 - In order to avoid generating excessive lifting forces, your roof top tent should be mounted parallel to the line of the road and not at an angle.
10. When climbing in and out of your roof top tent, always use the ladder with due caution and never allow children to use it alone. Make sure the ladder hooks are in good condition, contact us if you need replacements.
11. You must not allow any open flames in or near your roof top tent.

IMPORTANT INFORMATION

The manufacturer is not liable for any damage or accident that may occur as a result of a non-compliance with these usage instructions, modifications made to parts or the usage of any parts other than the manufacturer's original parts. The warnings, cautions and instructions in this document can't cover every possible situation, so it is understood by the operator that common sense and caution must be applied. It is your responsibility to pass these instructions on to any third party who uses this roof top tent, including second hand sales.

WARRANTY

The manufacturer's warranty covers manufacturing faults and lasts one year within regular use. It is only valid if the instructions and recommendations in this document are adhered to and only applies to the first owner. Second hand sales are not covered.

TOOLS

Accessory Pack

