



***FREESPIRIT***  
— RECREATION —

**ASPEN SERIES**  
**HARD SHELL ROOFTOP TENT**  
**49" / 55"**  
**INSTRUCTION MANUAL**

## **DEAR FREESPIRIT FAMILY,**

**As a family owned and operated business, it is our hope that as you get out there and use the Freespirit products, you feel like a part of our extended family and feel like we are all out there exploring this great planet *together*.**

**Our goal at Freespirit Recreation has always been to re-invent the rooftop tent from the ground up.**

**We work hard to create the best designs using the best products that allow for a fast and easy set-up. We want you spending more time *exploring and enjoying life*.**

**You have asked us to be innovative, to provide the best quality, to provide great customer service, and to keep creating products that *Elevate Your Adventure* so stay in touch with us!**

**Follow us on social media and on our website, [www.gofsr.com](http://www.gofsr.com).**

**Have questions for us?  
Reach out, we are here to help!  
[sales@gofsr.com](mailto:sales@gofsr.com)**

**Oh, and because we have to put this in here...  
PLEASE REVIEW THIS INSTRUCTION MANUAL BEFORE USING  
YOUR NEW ROOFTOP TENT.**

**From our family to you, *THANK YOU* for your purchase.  
We hope that it really will *Elevate Your Adventure!***

**Renee Tewes, President  
Tanner Tewes, E-Commerce and Marketing  
Kristine Sewell, Sales and Marketing, Dealer/OEM  
Ben Tewes, Product and Business Development**

## **TABLE OF CONTENTS:**

**PRODUCT OVERVIEW (PAGE 4)**

**PRODUCT SPECIFICATIONS AND FRAME (PAGE 5-6)**

**INSTALLING YOUR ASPEN SERIES ROOFTOP TENT (PAGE 7-8)**

**INCLUDED TOOLS (PAGE 8)**

**SETTING IT UP (PAGE 9-10)**

**TEARING IT DOWN (PAGE 11-12)**

**TROUBLE SHOOTING AND SAFETY INFORMATION (PAGE 13-14)**

**IMPORTANT INFORMATION AND WARRANTY (PAGE 15)**

**OPTIONAL ADD ON ACCESSORIES (PAGE 16)**

## **PRODUCT OVERVIEW:**

The *Aspen Series* is our spin on the traditional clamshell rooftop tent. We've taken all the features you'd find in a great hard clamshell, gas struts for easy opening, multiple entry points, 7 inches when folded for aerodynamics, but we've made it better.

The hardshell top of the tent is constructed from aluminum honeycomb while the bottom uses our signature aluminum slat design, making this clamshell one of the lightest on the market.

Available in 49" with room for 1-2 people and 55" with room for 2-3 people. Both sizes come with the premium Freespirit Recreation tri-layer fabric making multi-season camping comfortable. Large windows on the front and sides allow for immersive views, but also allow for versatility with three different zippered window options. Fully opened to fully enjoy nature, mesh screen to keep bugs out, or tri-layer blackout coverings for privacy.

When fully zipped in the tent, enjoy our **new larger LED light strip** that is USB powered. Extra pockets on the roof of the clamshell allow for extra storage, keeping all your valuables safe for the night.

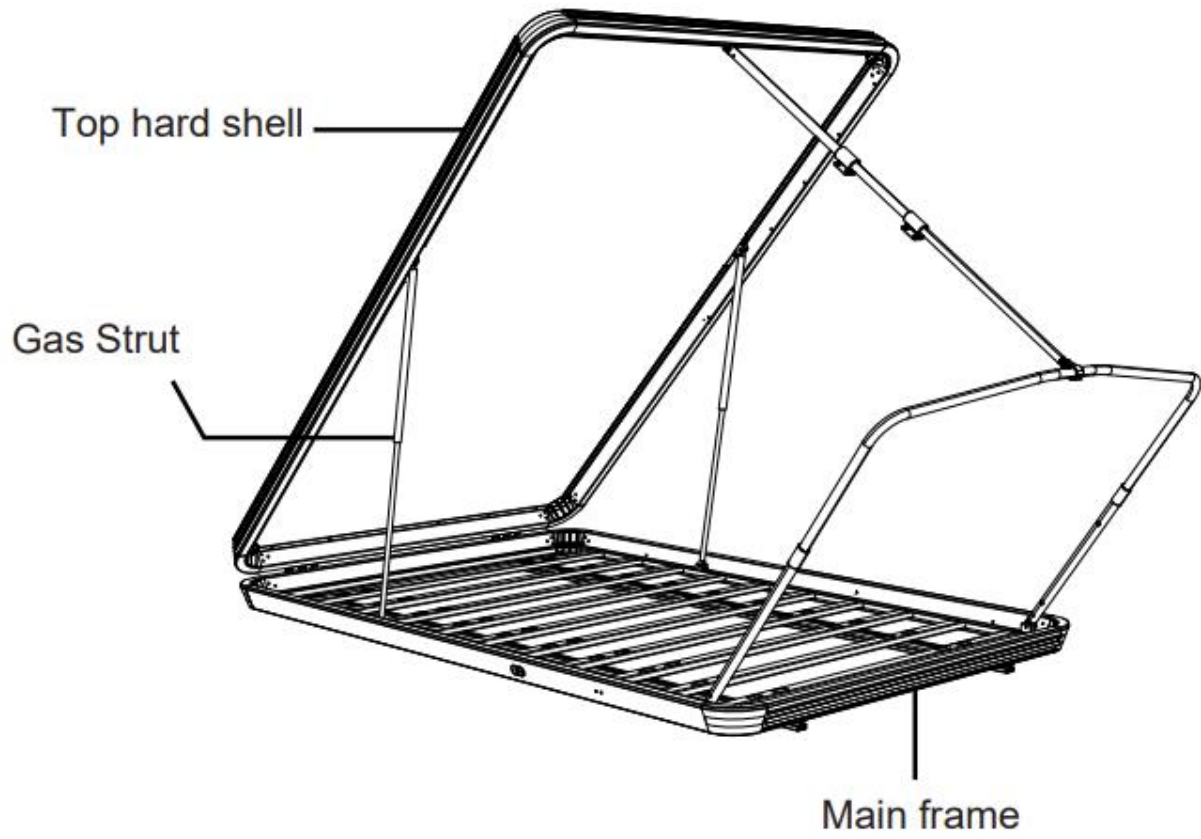
## **PRODUCT SPECIFICATIONS:**

### Aspen 49" Specifications:

### Aspen 55" Specifications:

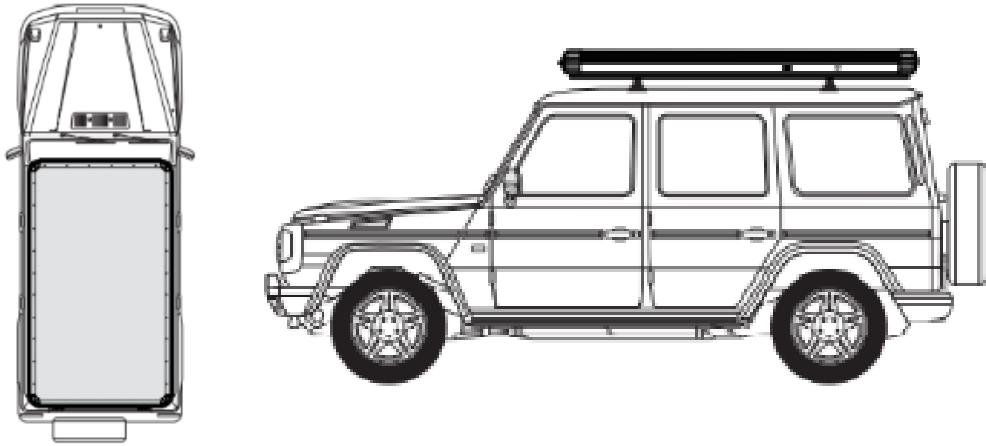
<u>Interior Opened Dimensions:</u>	49"W x 80"L	<u>Interior Opened Dimensions:</u>	55"W x 80"L
<u>Exterior Closed Dimensions:</u>	54"W x 84"L x 7.1"H	<u>Exterior Closed Dimensions:</u>	60"W x 85"L x 7.1"H
<u>Weight:</u>	134 lbs	<u>Weight:</u>	154 lbs
<u>Sleeping Capacity:</u>	1-2 people	<u>Sleeping Capacity:</u>	2-3 people
<u>Weight Capacity:</u>	750 lbs.	<u>Weight Capacity:</u>	750 lbs.
<u>Shell:</u>	Aluminum Honeycomb Plate	<u>Shell:</u>	Aluminum Honeycomb Plate
<u>Tri-Layer Body:</u>	3 Layers of 150D Poly-Oxford with 90g/M2 Poly-fil	<u>Tri-Layer Body:</u>	3 Layers of 150D Poly-Oxford with 90g/M2 Poly-fil
<u>Rainfly:</u>	210D Poly-Oxford with Silver Coating and 3,000mm Polyurethane coating	<u>Rainfly:</u>	210D Poly-Oxford with Silver Coating and 3,000mm Polyurethane coating
<u>Mattress:</u>	1 1/4" High Density Foam	<u>Mattress:</u>	1 1/4" High Density Foam
<u>Flooring:</u>	1 1/2" EPE	<u>Flooring:</u>	1 1/2" EPE
<u>Frame:</u>	Aluminum Gas Strut-assisted	<u>Frame:</u>	Aluminum Gas Strut-assisted

Product Frame:

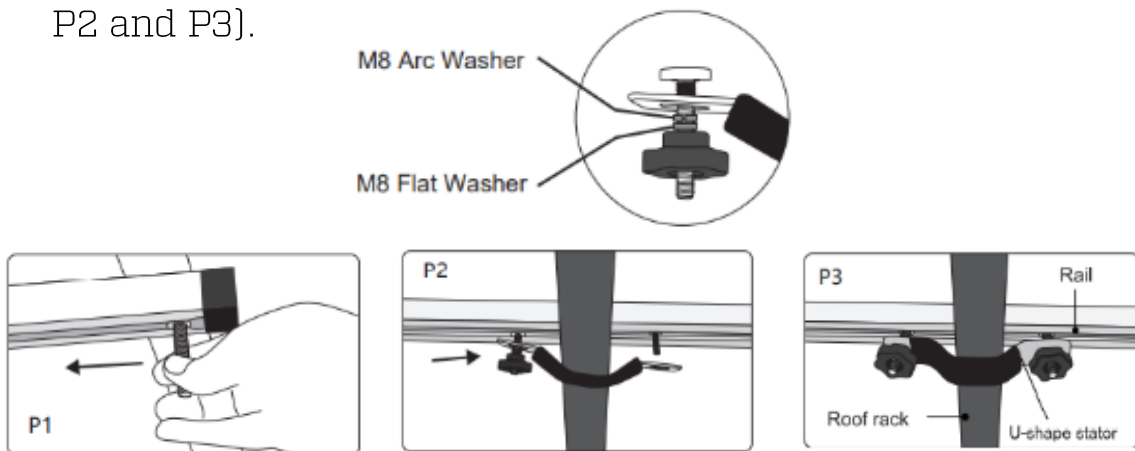


## **INSTALLING THE ASPEN ROOFTOP TENT:**

1. Install your roof rack per the manufacturer's instructions and in the load bearing position on the vehicle.
2. Lift the tent onto the roof rack from the car side. Adjust the tent to the center of the roof, ensuring that if your vehicle has a rear door, it can be opened and closed.



3. Slide the T Shaped Bolts into the rails from two sides (shown in picture #1-P1).
4. Slide T Shaped Bolts into the middle hole of the rail. Then apply the U-Shaped Bracket, M8 Washer, M8 Flat Washer, and Plastic Nut. Ensure all parts are in the order shown below. Complete process on the other side of the U-Shaped Bracket and hand tighten both so the tight is firm. (shown in picture #2 and #3-P2 and P3).



5. After about 50 miles or so after installation, stop and check the mounting hardware to ensure that you have tightened it enough and that it has remained tight.

Tools Included:

\*Please note that you will find the mounting hardware and toolkit in one of the shoe bags or laying on the mattress when you open the rooftop tent.



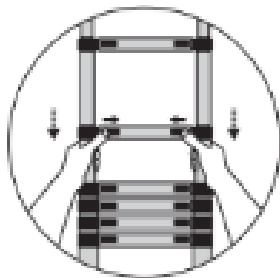


## **SETTING UP THE ASPEN SERIES ROOFTOP TENT:**

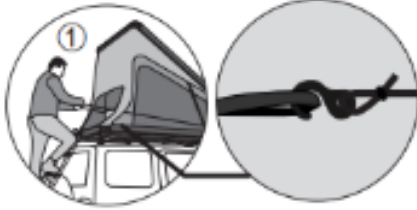
1. Release all latches around the rooftop tent.
2. Hook the telescoping ladder to the base of the rooftop tent and extend outward.
3. Push the top of the rooftop tent up to engage the gas strut assist.



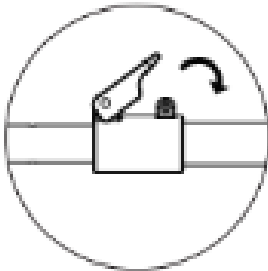
4. To extend the telescoping ladder to the desired length, push in and then down on each step of the ladder as shown below.



5. Release the elastic rope then hook on two sides (see picture #1), push the button on each side of the front u-pole and carefully extend it until the buttons lock into the upper holes.



6. Unzip the ceiling fabric to expose the dual tension pole. Carefully stretch each side and lock each clasp when proper tension has been achieved.



7. Check that all straps and buckles to ensure they are tight and snug before use. The Aspen Series Rooftop Tent set-up is complete!

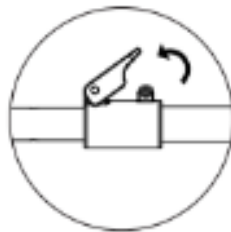


## **TEARING DOWN THE ASPEN SERIES ROOFTOP TENT:**

1. Close the windows, leaving a small opening in the zipper to let air out when you fold the fabric in and close the top of the rooftop tent.



2. Unzip the ceiling fabric and unlock both clasps on the tension pole.



3. Push the buttons on the front u-pole and carefully lower until it locks in the lower position.



4. Zip up the front door, 2/3 of the way (shown in picture #1). Tuck the shoe bags and tri-layer fabric inside (shown in picture #2), push over the front u-pole (shown in picture #3), and then pull down the top of the rooftop tent.



5. Remove the telescoping ladder and store it in your car.



6. Lock down all latches around the rooftop tent making tear down complete. Check all mounting hardware and hand check for tightness for before hitting the road!



## **TROUBLESHOOTING TIPS IF NEEDED:**

1. When extending the rainfly pole, make sure that the rainfly straps are loose enough to where the u-pole to fully extend in place.
2. When closing the rooftop tent, make sure to tuck in all fabric, tucking in the fabric is required to have a low-profile rooftop tent.
3. For further questions or troubleshooting, please check out the Freespirit Recreation [YouTube channel](#) for helpful tips and tricks for your Aspen Series Rooftop Tent.

## **SAFETY INFORMATION:**

1. When your rooftop tent is installed on your vehicle, please follow all posted speed limits and do not exceed them.
2. When leaving for your next adventure and at regular intervals along your journey, please check to ensure the mounting hardware is tight and did not loosen over time or with various road conditions.
3. Please do not use your rooftop tent if there is visible damage to any part or it's components. Please contact our team at [customerservice@gofsr.com](mailto:customerservice@gofsr.com) for replacement parts or advice on repair options.
4. Serious injury and accidents can occur with loads and roof racks that are installed incorrectly.
5. Please make sure that you are observing your vehicle height, road conditions, and weather when rooftop tent is mounted on your vehicle (ex. Wind, Rain, Braking Behavior, etc).
6. Always consult your vehicle owner's manual and roof rack manufacturers manuals and follow their instructions and advice. Please always carry these along with your rooftop tent instruction manual with safety information.

7. Do not use bleach, alcohol based, or ammonia-based cleaning products on your rooftop tent, this will cause damage and is not covered under warranty.
8. Please note the following with using your rooftop tent:
  - a. Your vehicle height will increase when roof rack and rooftop tent are installed, please be aware when going in parking garages, low entrances, carwashes, low hanging branches, running into them or going into them and damaging the rooftop tent is not covered under warranty.
  - b. Wind noise may be generated when travelling with a rooftop tent on a roof rack.
  - c. Follow all operating instructions for your vehicle and your roof rack.
  - d. Remove the rooftop tent and store inside when it is not in use to ensure it is kept in the best condition possible.
  - e. Your rooftop tent should be mounted parallel to the line of the road and not at an angle.
9. Never have fire or flames in or near your rooftop tent.
10. When climbing in and out of your rooftop tent, use caution when using the ladder. Never allow children to use the ladder alone. Make sure that the ladder mounts are in good condition and contact us at [customerservice@gofsr.com](mailto:customerservice@gofsr.com) to purchase replacement parts.

## **IMPORTANT INFORMATION:**

Freespirit Recreation and our manufacturers are not liable for use or misuse of this rooftop tents or any of our other products. We are not liable for any damage or accidents that occur as a result of non-compliance with these usage instructions and basic common sense. Any modifications made to any parts, or the entirety of this rooftop tent are not covered under warranty and we are not liable for any injury or damage that could occur because these modifications were made. The warnings, cautions, and instructions in this document can cover most situations so it is understood that the rooftop tent owner and operator will use common sense and caution when using this product. It is your responsibility to pass these instructions on to any third party who borrows or uses this rooftop tent, including any secondhand sales.

## **WARRANTY INFORMATION:**

Freespirit Recreation and our manufacturers cover proven manufacturing defects for one year after purchase. It is only valid if the instructions and recommendations in this instruction manual are adhered to and only applies to the first owner after purchase. Secondhand sales and rooftop tent rentals are not covered under warranty.

## **OPTIONAL ADD ON ACCESSORIES:**

### HARDSHELL SERIES CROSSBAR KITS



Finally, a way to transport more gear with the [Odyssey/Evolution/Aspen Crossbar Kits!](#)

Designed and manufactured in Bend, Oregon, and made of high quality components, the rack features mounting feet that seamlessly integrate into the T-slot tracks found on every Odyssey/Evolution Series tent. You can order the 49" or 55" crossbars. Black powder coated steel.

Odyssey/Aspen tents can fit up to 4 crossbars. Evolution tent we recommend 2 cross bars only.

If you would like (4) Crossbars please order two sets of crossbars.

***\*\*PLEASE NOTE WE'VE RE-DESIGNED THIS SYSTEM AND ELIMINATED THE SIDE RAILS. TIE DOWN POINTS ARE NOW ON THE FEET. IF YOU PLAN TO STORE GEAR ON TOP WHILE THE TENT IS OPEN, PLEASE CONSIDER THE AMOUNT OF WEIGHT YOU ARE PUTTING ON TOP AND HOW THE WEIGHT DISTRIBUTED ON THE TENT. IF THE WEIGHT IS SIGNIFICANT ENOUGH, YOU WILL NEED TO PURCHASE THE ENHANCED GAS STRUTS FOR YOUR ROOFTOP TENT.***