

FREESPIRIT
RECREATION



ADVENTURE SERIES

PREMIUM

INSTRUCTION MANUAL

CONTENTS

Before using this product, please consult the instruction manual to ensure proper use.

INSTRUCTIONS

1. Instructions.....	3
2. Product Specifications.....	3
3. Product Frame.....	3
4. Main Properties and Characteristics.....	4

INSTALLATION

1. Installing Your Roof Top Tent.....	4
2. Setting Up Your Roof Top Tent.....	6
3. Tips & Tricks.....	7
4. Important Information.....	7
5. Troubleshooting.....	7
5. Tools.....	8



INSTRUCTIONS

The Adventure Series Premium semi-automatic roof top tent, can easily be set up by 2 people. It sets up and folds down in seconds, with a patented gas strut-assisted opening mechanism. Enjoy the outdoor life in whatever weather!

PRODUCT SPECIFICATIONS

- A.** The frame consists of aluminum alloy parts, with strong nylon joints.
- B.** Double layer silver coating treatment for outer tent material, offers better heat insulation and waterproofing.
- C.** The top-quality mattress provides a comfortable sleeping experience.
- D.** Telescoping aluminum alloy ladder is removable and can hold up to 330lbs (150kg).

Fly: 210D rip-stop polyester PU 3000mm with 3-layer silver coating

Body: 3 layers of 150D poly-oxford

Floor: 210D poly-oxford PU 3000mm Frame: Aluminum Alloy

Cover: 600g heavy duty PVC floor

Crossbar Static Load Capacity: 330lbs single point; 660lbs entire shell

STRUCTURE

M49

Inner L52x W85 x H52 in

Outer L52 x W85 x H9 in

Weight: 145 lbs

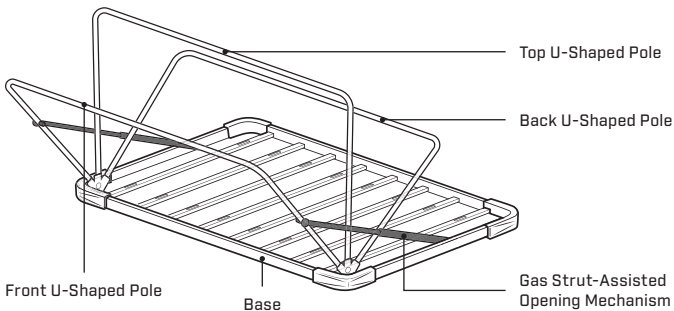
M55

Inner L80x W55 x H47 in

Outer L85 x W60 x H9 in

Weight: 164 lbs

PRODUCT FRAME



MAIN PROPERTIES & CHARACTERISTICS

1. Pull down the strap to fold down the roof tent.
2. Release the strap, the roof tent will be set up by gas strut.

1. INSTALLING YOUR ROOF TOP TENT

1. You must have roof racks correctly fitted to your vehicle, following the rack manufacturer's instructions, before installing the Roof Top tent.
2. Lift the Roof Top tent beside the vehicle, ensuring it is centered over the racks, and that it will distribute the weight evenly over the vehicle's roof.
3. Stand back and double check that the tent is centered both front-to-back, and side-to-side, and that all doors can still operate without risk of damage to the vehicle.
4. Slide the M8X50 hexagon bolts into the rails, so that one is on each side of your cross bar (see Picture 1). Be sure to replace the rubber end caps when finished. Using the washers and star knobs, evenly tighten until secure. Be sure to check them periodically to ensure a tight fit.



Picture 1

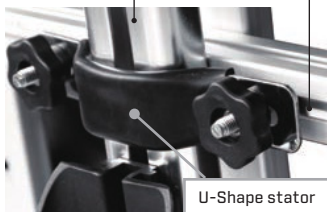


Picture 2



Rack

Rail



U-Shape stator



U-Shape stator



Plastic Nut



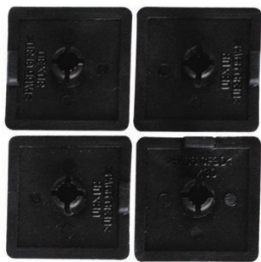
MBX50 Hexagon



MB flat washer



MB arc washer



Rail Cap

2. SETTING UP YOUR ROOF TOP TENT



- 1.** Remove the tent PVC cover.



- 2.** Release the adjustable rubber hook from the fixed button.



- 3.** Then the roof tent will open automatically.



- 4.** Close the roof tent by pulling the webbing.



- 5.** Keep pulling the webbing till you get the adjustable rubber hook.



- 6.** Fix the rubber hook onto the fixed button and close the roof tent cover.

3. TIPS & TRICKS

- Always ensure the tent is dry before packing away.
- Keep the rail of the base clean and dry.
- Ensure ladder is always locked into place and angled away from the vehicle.
- Make sure the tent is packed down completely and secured before driving.

IMPORTANT INFORMATION

1. When packing away the tent, ensure there are no other objects in the tent (like sleeping bag, pillow).
2. Don't put heavy objects on the tent when the tent is closed.
3. Clean and treat your tent and PVC cover at least once a year and only use approved products.
4. Check the connection points of the tent to the car; ensure all points are properly locked.
5. Please don't jump inside of, or make other similar movements that may possibly damage the tent.
6. Always keep the tent closed when driving.
7. Use caution when opening the tent during heavy winds.
8. If there is abnormal noise when setting up or folding down the tent, please check the rails and all connection joints immediately.

TROUBLESHOOTING

IF THE TENT STOPS WORKING

1. Check if the fabric is caught in any of the support poles or gas struts.
2. Check if any of the gas struts are leaking. If so, replace them immediately. Uninstall the strut by using a screwdriver to take out the screws on both sides of the strut **[see photos below]**.



TOOLS

Accessory Pack



6xL 100 Cross Screwdriver



8-10 Open Spanner



6mm L-Shape Hexagonal Wrench



5mm L-Shape Hexagonal Wrench



6mm L-Shape
Hexagonal Wrench



M6 T-Shape
Slider Block



M6 Stainless Steel
Flat Washer



M6 Spring
Washer