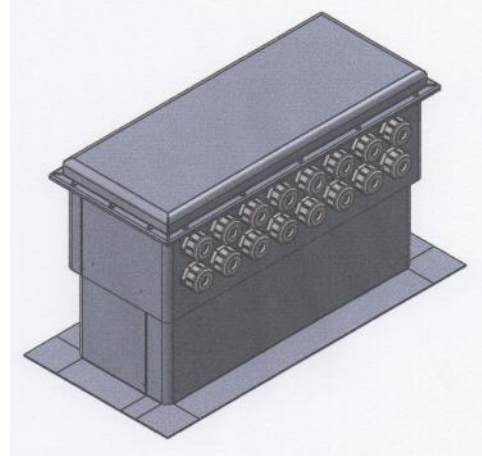


Medium Double-long Pipe Chase Housing & 14" tall or 18" tall Curb



Model #	Description	Length	Width	Height	Weight
KH-32H	Housing - Medium Double-Long	38"	15"	14"	36 lbs
KH-3214C	14" tall Curb - Medium Double-Long	36"	13"	14"	24 lbs
KH-3218C	18" tall Curb - Medium Double-Long	36"	13"	18"	25 lbs



Specifications - Pipe Chase Housing

- .125" aluminum (Body and lid)
- UV protected powder coating - Housing only
- Full thermal break interior with gaskets and insulation
- Stainless steel fasteners
- Housing has 32 Exit Seal locator/starter dimples

Specifications - Curb

- .125" aluminum - non finished exterior
- Full thermal break interior (Insulation pad)

Specifications - Sigrist Exit Seal™

- Injection molded ABS - Schedule-80 performance
- Color: White
- Sizes: 11 pathway sizes (.25" through 1 5/8" OD line sizes)

Size: Medium Double-Long Pipe Chase Housing & Curb

Shown above with 16 Sigrist Exit Seals™ installed (Sigrist Exit Seals™ available in sizes 1/4" to 1 5/8" OD)
 Max. number of Sigrist Exit Seals™ is 32. (16 Exit Seals per front and back surface)

Note: Overall height of the Pipe Chase Housing mounted on top of our Curb is a 3" less than the total of the two heights due to the skirt/overlap from the Pipe Chase Housing down over the top of the curb is 3". *** Dimensions are nominal and may be revised without notice

