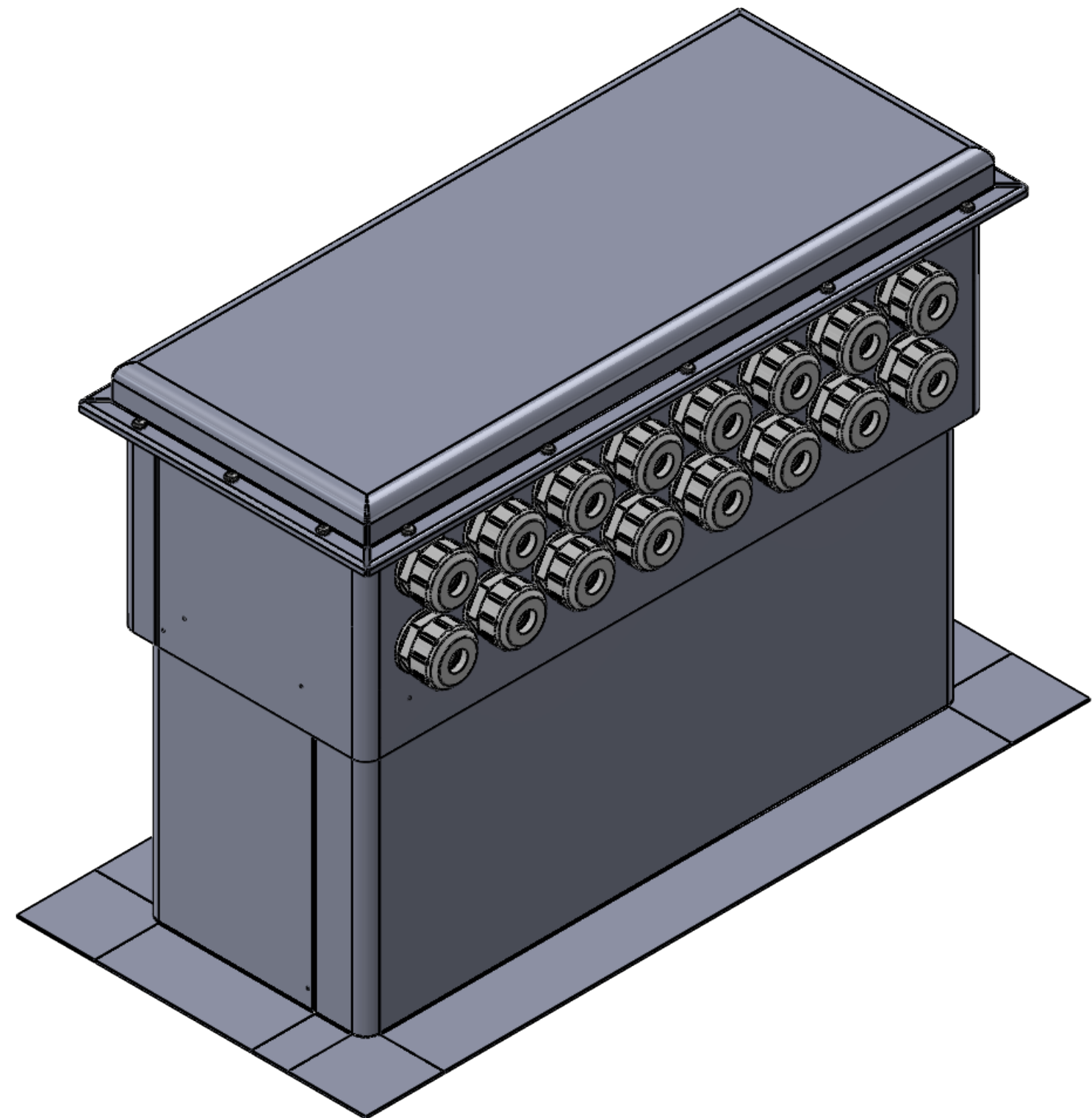


8 7 6 5 4 3 2 1

REVISIONS				
ZONE	REV.	DESCRIPTION	DATE	APPROVED



H
G
F
E
D
C
B
A

H
G
F
E
D
C
B
A

	NAME	DATE	PROJECT TITLE:	
DRAWN	RS	3/27/17	DOUBLE LONG MEDIUM PIPE CHASE HOUSING & CURB	
CHECKED			DESCRIPTION:	
Q.A.			DOUBLE LONG MEDIUM PIPE CHASE HOUSING & CURB 18" TALL WITH EXIT SEALS	
UNLESS OTHERWISE SPECIFIED <small>INTERPRET DRAWING PER ASME Y14.5M-1994 DIMENSIONS ARE IN INCHES</small>			SIZE	CUSTOMER NAME:
<small>TOLERANCE ARE: FILLETS .003-.010</small> <small>.XX ± .03 ANGLES ± 2° BREAK ALL SHARP EDGES</small> <small>.XXX ± .010</small> <small>DO NOT SCALE DRAWING</small>			B	ALTA PRODUCTS, LLC
			PART NO. TBD	WEIGHT N/A
			REV 0	
			SHEET 1 OF 26	

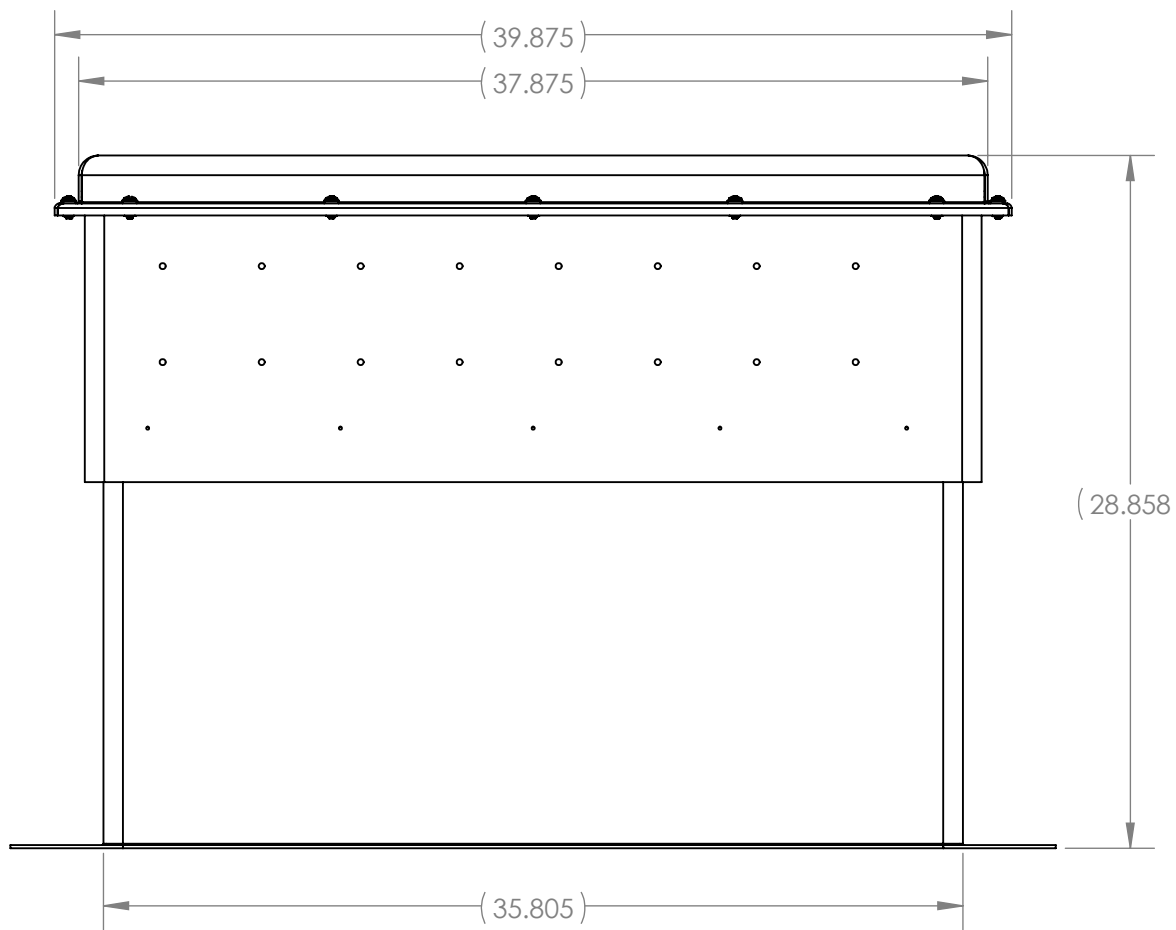
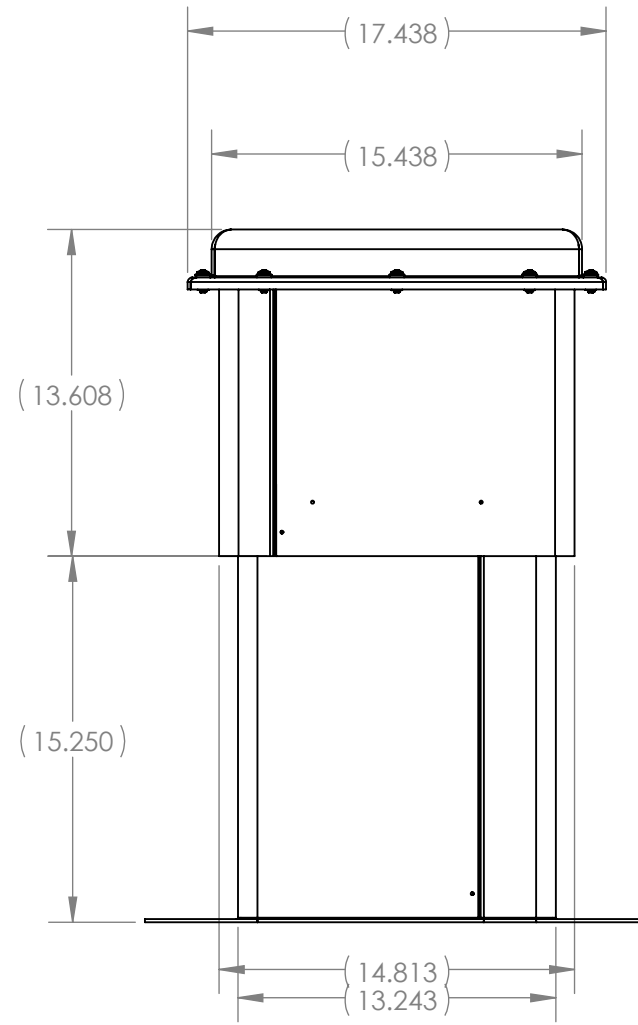
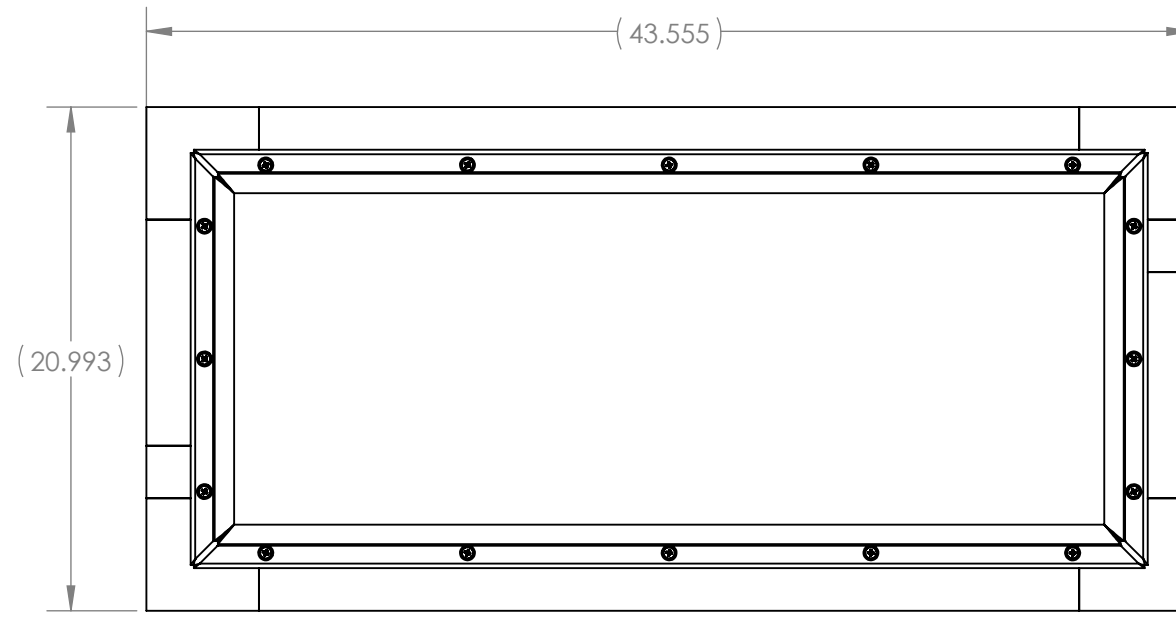
8 7 6 5 4 3 2 1

ENGINEERING DRAWING

8 7 6 5 4 3 2 1

H
G
F
E
D
C
B
A

H
G
F
E
D
C
B
A



PROJECT TITLE: DOUBLE LONG MEDIUM PIPE CHASE HOUSING & CURB		
DESCRIPTION: DOUBLE LONG MEDIUM PIPE CHASE HOUSING & CURB 18" TALL WITH EXIT SEALS		
SIZE B	CUSTOMER NAME: ALTA PRODUCTS, LLC	REV 0
PART NO. TBD	WEIGHT N/A	SHEET 2 OF 26

8 7 6 5 4 3 2 1