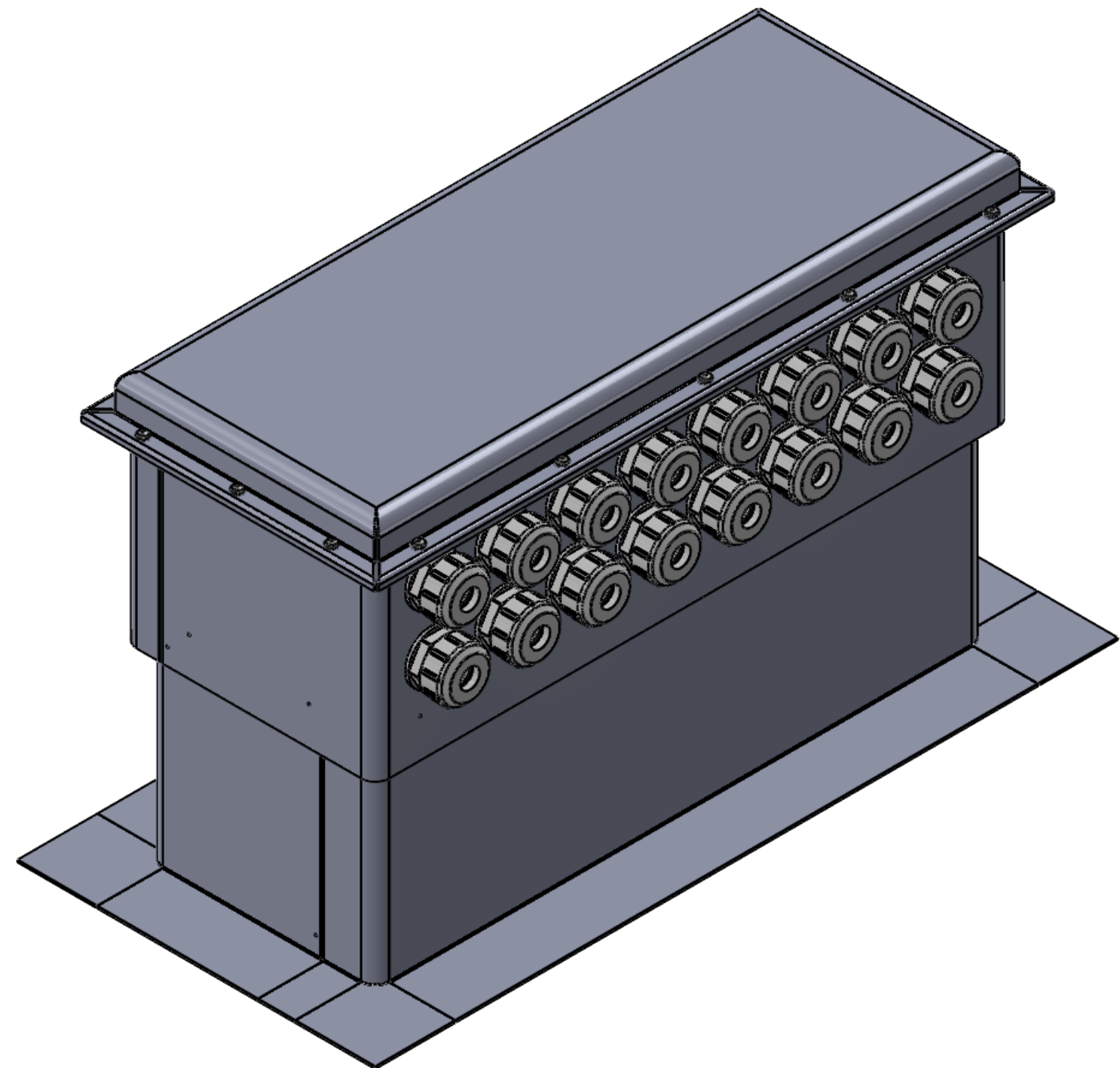


8 7 6 5 4 3 2 1

REVISIONS				
ZONE	REV.	DESCRIPTION	DATE	APPROVED



H
G
F
E
D
C
B
A

H
G
F
E
D
C
B
A

	NAME	DATE	PROJECT TITLE:	
DRAWN	RS	3/27/17	DOUBLE LONG MEDIUM PIPE CHASE HOUSING & CURB	
CHECKED			DESCRIPTION:	
Q.A.			DOUBLE LONG MEDIUM PIPE CHASE HOUSING & CURB 14" TALL WITH EXIT SEALS	
UNLESS OTHERWISE SPECIFIED			SIZE	CUSTOMER NAME:
INTERPRET DRAWING PER ASME Y14.5M-1994			B	ALTA PRODUCTS, LLC
DIMENSIONS ARE IN INCHES			REV	0
TOLERANCE ARE: FILLETS		$\sqrt{63}$	PART NO.	WEIGHT
DECIMALS	.003-.010		TBD	N/A
.XX ± .03	ANGLES	BREAK ALL SHARP EDGES	SHEET 1 OF 26	
.XXX ± .010	± 2°		RATHA DESIGNS 2017	
DO NOT SCALE DRAWING		.003-.010		

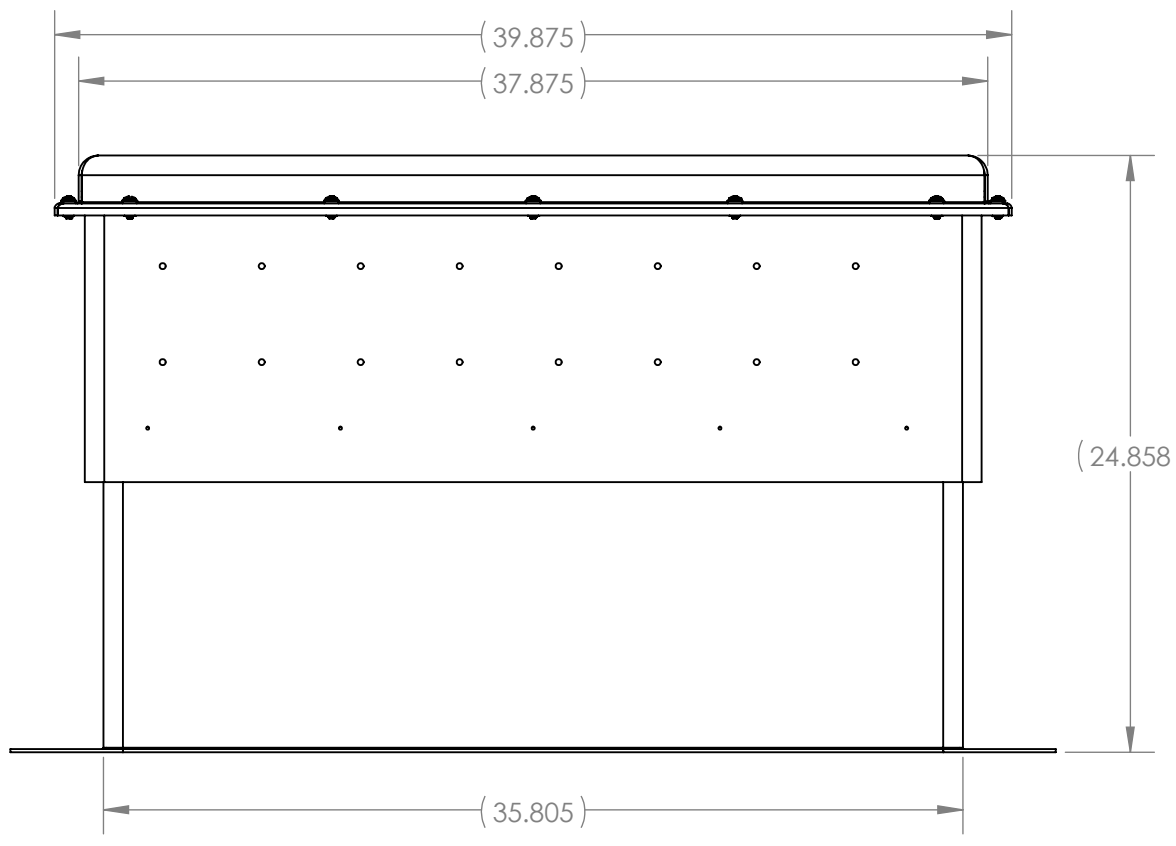
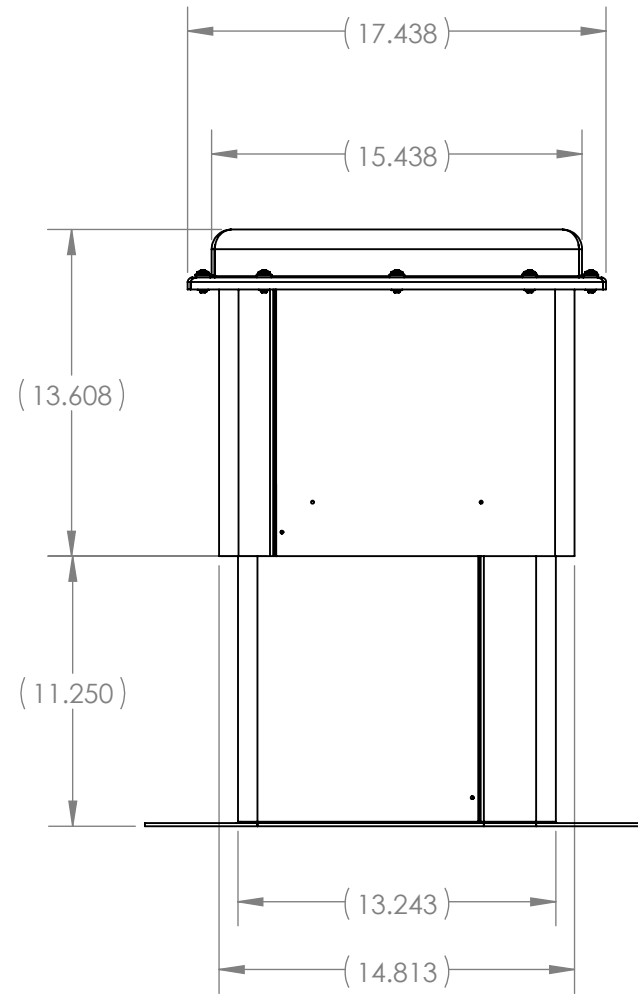
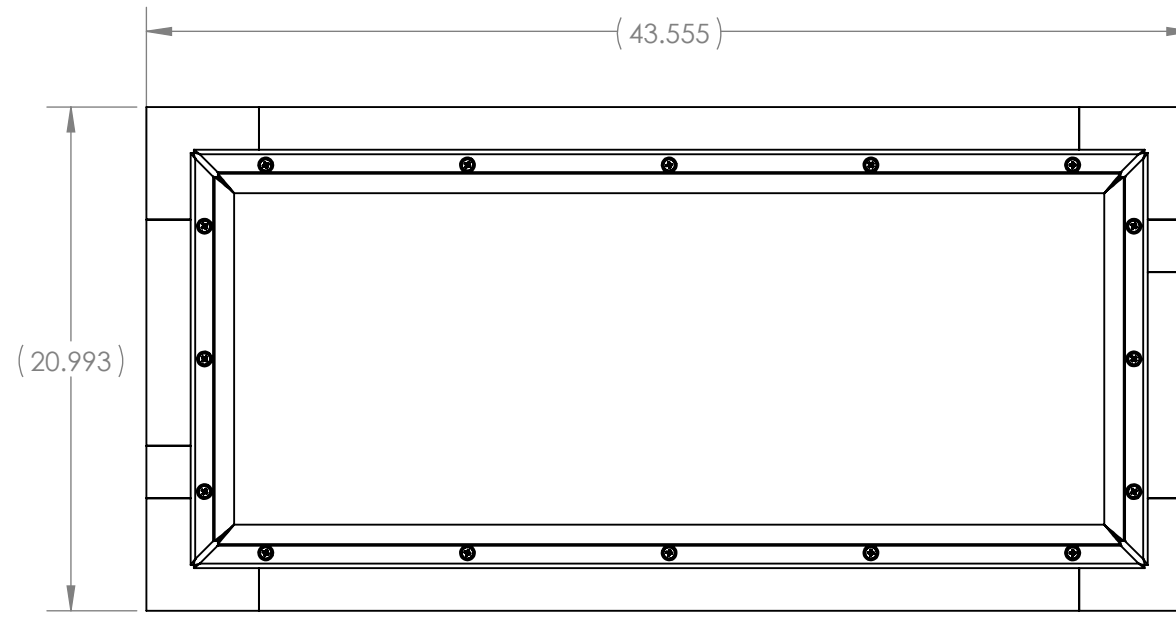
8 7 6 5 4 3 2 1

ENGINEERING DRAWING

8 7 6 5 4 3 2 1

H
G
F
E
D
C
B
A

H
G
F
E
D
C
B
A



PROJECT TITLE: DOUBLE LONG MEDIUM PIPE CHASE HOUSING & CURB		
DESCRIPTION: DOUBLE LONG MEDIUM PIPE CHASE HOUSING & CURB 14" TALL WITH EXIT SEALS		
SIZE B	CUSTOMER NAME: ALTA PRODUCTS, LLC	REV 0
PART NO. TBD	WEIGHT N/A	SHEET 2 OF 26

8 7 6 5 4 3 2 1

ENGINEERING DRAWING