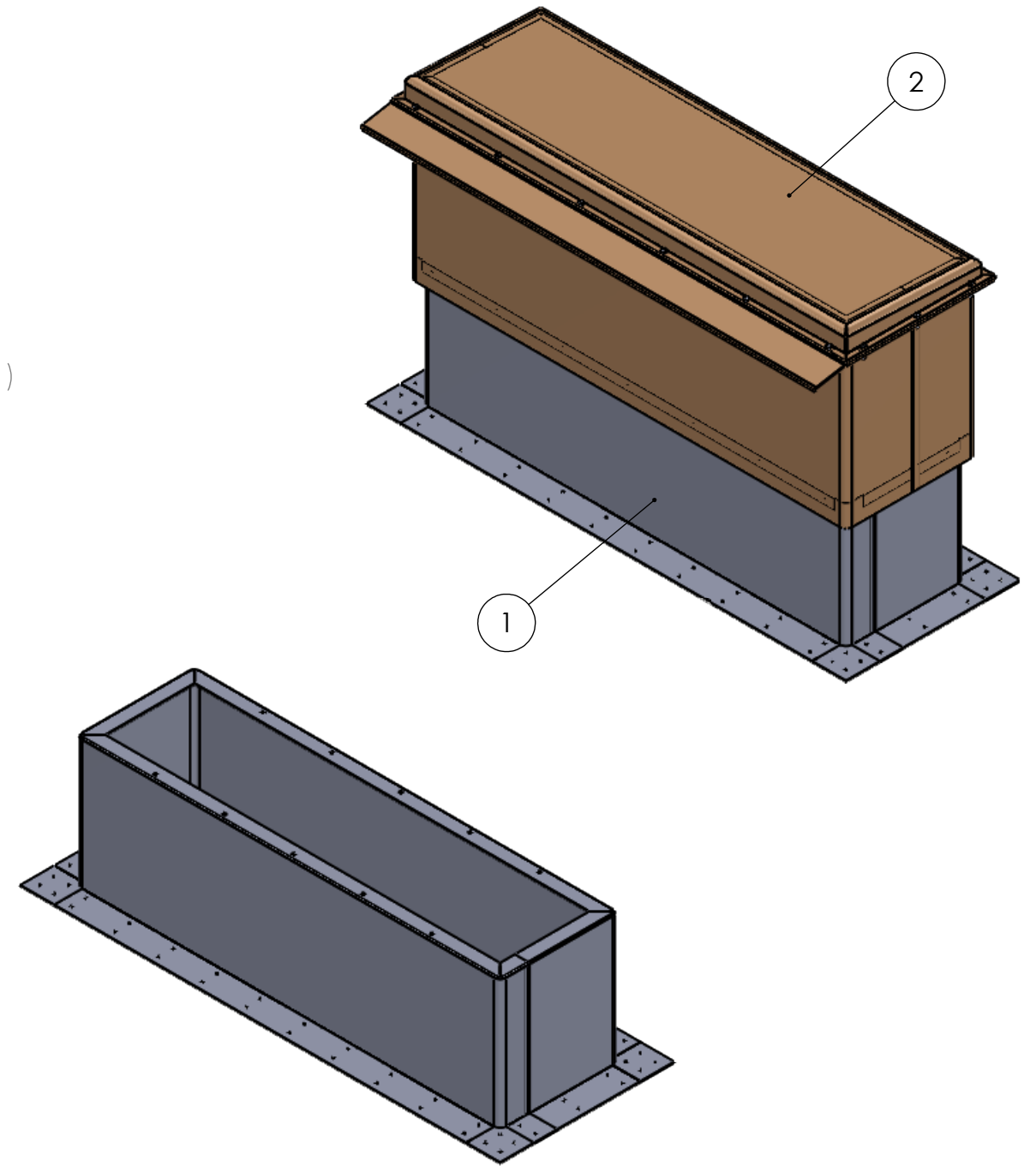
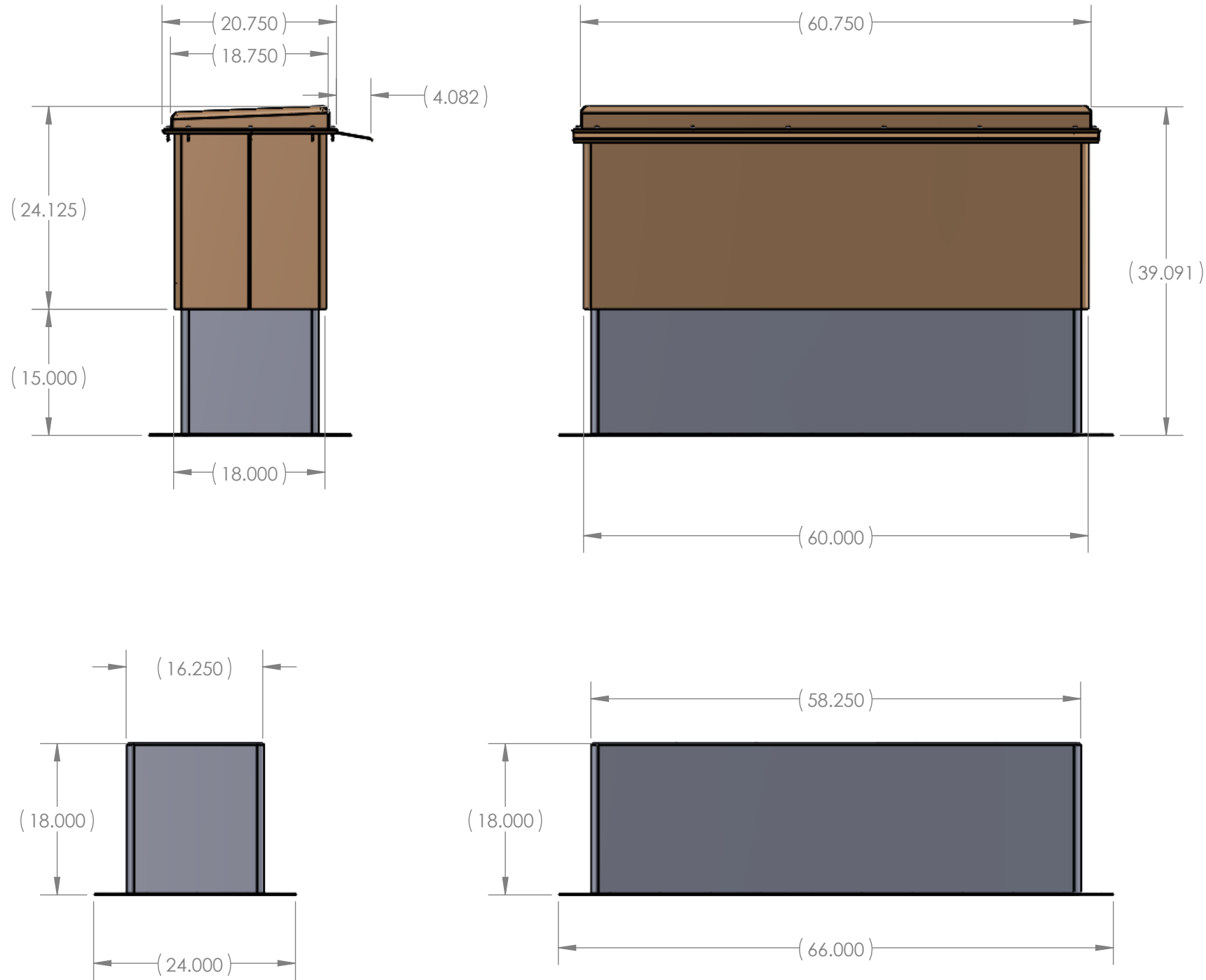


GENERAL NOTES:

1. INTERIORS FOR BOTH HOUSING AND CURB TO BE FULLY INSULATED WITH STANDARD 1" THICK MATERIAL.
2. FINISH: HOUSING WILL HAVE STANDARD POWER COATED FINISH 2 MIL THICKNESS AND CURB TO BE UNFINISHED.

ITEM NO.	DESCRIPTION	PART NUMBER	MATERIAL	QTY.
1	DATA CENTER CURB	DH-165818	.125" THICK ALUMINUM	1
2	DATA CENTER HOUSING	DH-186024	.125" THICK ALUMINUM	1



DRAWN	RS	DATE	4/25/17	PROJECT TITLE:		DATA CENTER HOUSING AND CURB ASSEMBLY	
CHECKED				DESCRIPTION:			
Q.A.				HOUSING DH-186024 CURB DH-165818			
UNLESS OTHERWISE SPECIFIED INTERPRET DRAWING PER ASME Y14.5M-1994 DIMENSIONS ARE IN INCHES				SIZE	CUSTOMER NAME:	REV	
TOLERANCE ARE:	FILLETS	63/		B	ALTA PRODUCTS, LLC	0	
DECIMALS	.003-.010	✓		PART NO.	WEIGHT	SHEET 1 OF 1	
.XX ± .03	ANGLES	BREAK ALL SHARP EDGES		TBD	N/A		
.XXX ± .010	± 2°						
DO NOT SCALE DRAWING	.003-.010						

ENGINEERING DRAWING