

# ALTA PRODUCTS LLC

**Innovation That Works.™**

Sigrist Pipe Chase Housing, Curbs and Sigrist Exit Seal®  
(206) 409-1237 • [www.AltaProductsLLC.com](http://www.AltaProductsLLC.com)

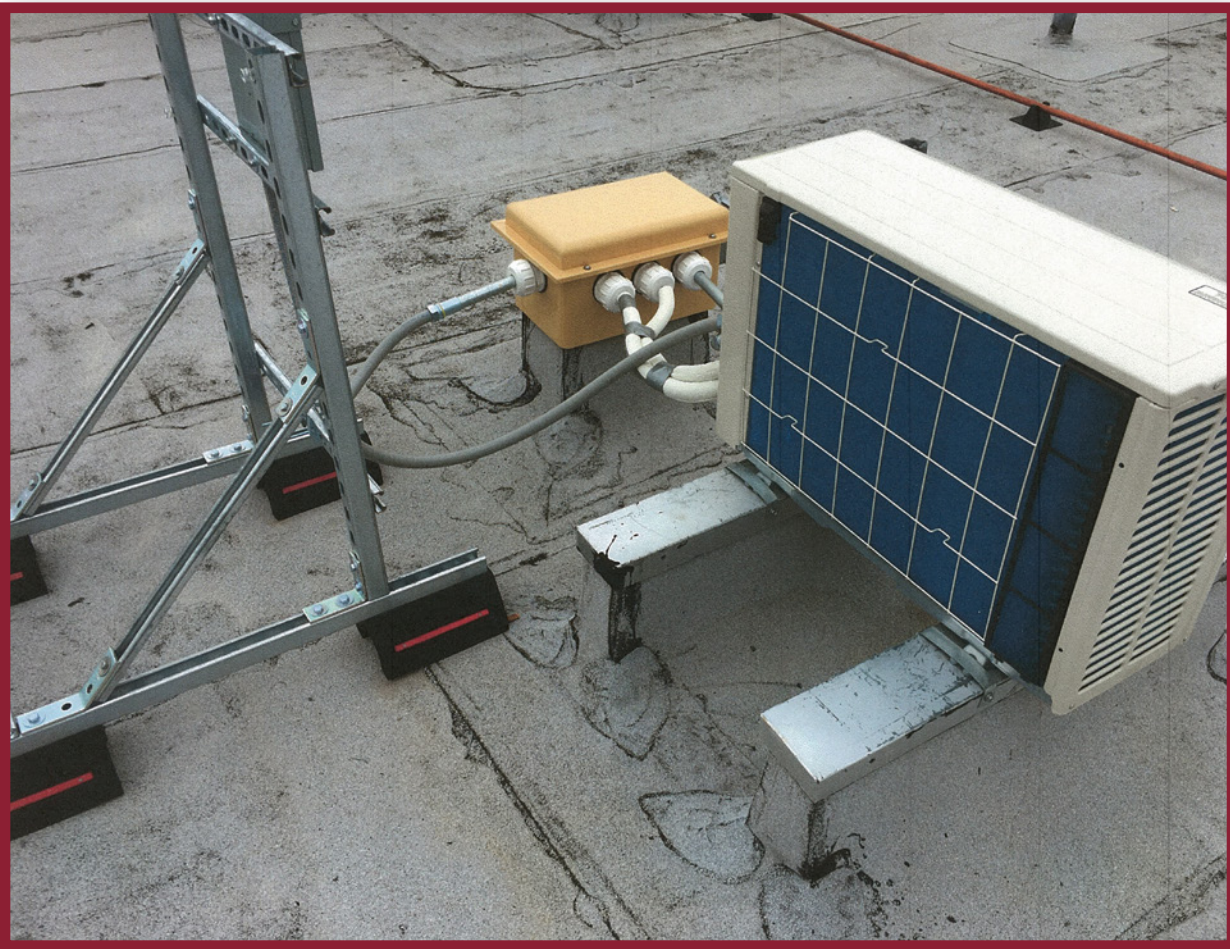
*Featuring Sigrist Exit Seals®*



*All products proudly manufactured  
in the United States*



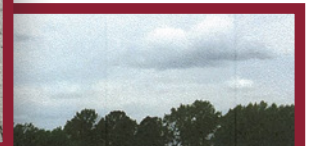
**ALTA**  
PRODUCTS LLC  
Innovation That Works.™



**ALTA**  
PRODUCTS LLC  
Innovation That Works.™



**ALTA**  
PRODUCTS<sup>LLC</sup>  
Innovation That Works.™



**ALTA**  
PRODUCTS<sup>LLC</sup>  
Innovation That Works.™



**ALTA**  
**PRODUCTS** LLC  
Innovation That Works.™

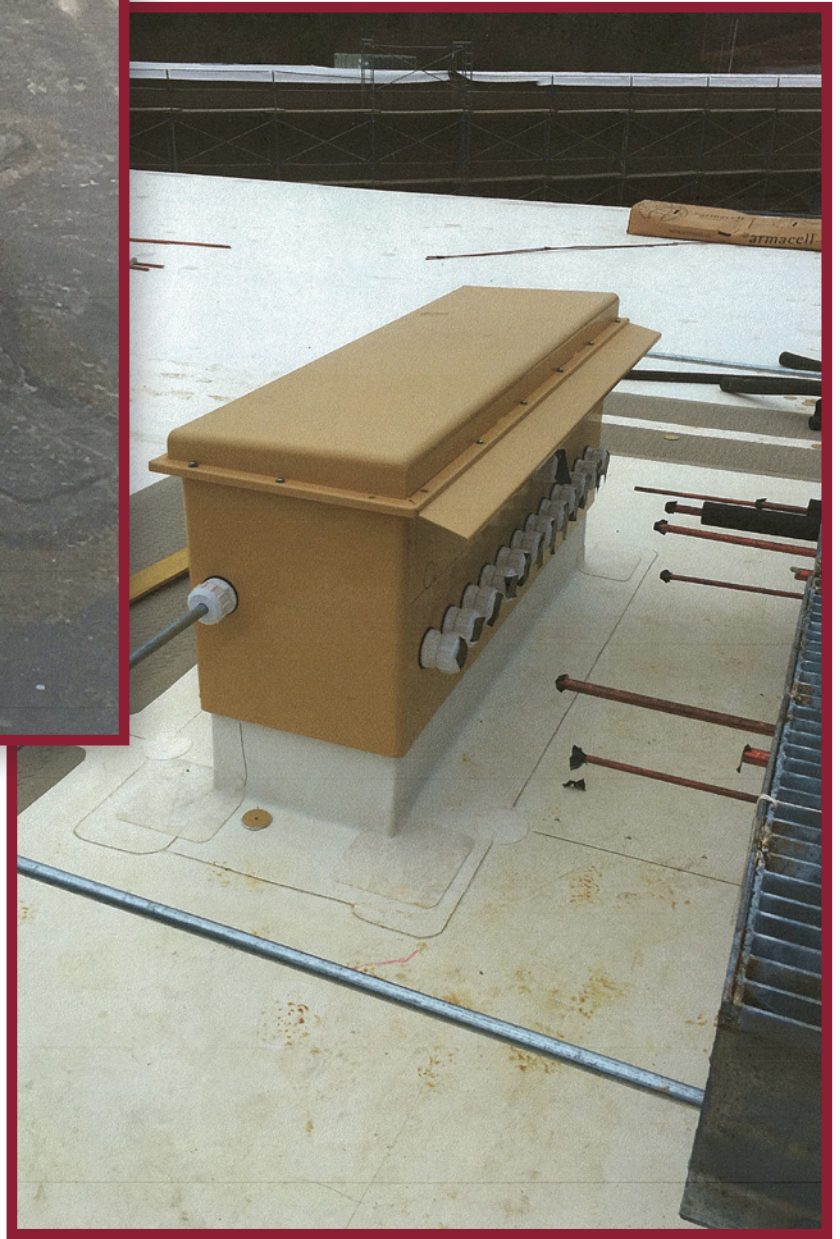


**ALTA**  
PRODUCTS<sup>LLC</sup>  
Innovation That Works.™



**ALTA**  
PRODUCTS<sup>LLC</sup>  
Innovation That Works.™





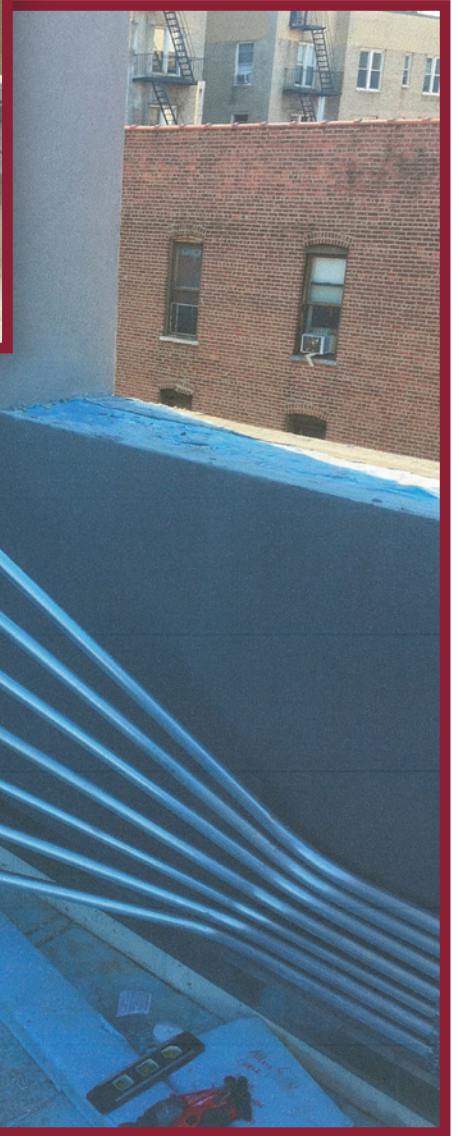
**ALTA**  
PRODUCTS<sup>LLC</sup>  
Innovation That Works.™



**ALTA**  
**PRODUCTS** LLC  
Innovation That Works.™



**ALTA**  
PRODUCTS<sup>LLC</sup>  
Innovation That Works.™



**ALTA**  
PRODUCTS<sup>LLC</sup>  
Innovation That Works.™



5930 Ingalls St Unit D  
 Arvada CO 80003  
 Phone: (815) 520-3004  
 Website: www.AltaProductsLLC.com

DATE	
PO#	
Job Name	

BILL TO	
Customer:	
Street address:	
City, State & Zip:	
Phone:	
Email:	

SHIP TO	
Customer:	
Street address:	
City, State & Zip:	
Phone:	
Contact:	

BUYER

SHIP VIA

QTY	DESCRIPTION	Max # of Exit Seals	Dimensions (Inches) LxWxH	UNIT PRICE	TOTAL
**AL-161010	<b>SMALL - Pipe Chase Housing</b>	<b>7</b>	16.5 x 10 x 12.5	\$585.00	
**AL-158	<b>SMALL - Curb 14" tall</b>		14.5 x 8 x 14	\$279.00	
**ALTC-S18	<b>SMALL - Curb 18" tall</b>		14.5 x 8 x 18	\$299.00	
**ALTC-S24	<b>SMALL - Curb 24" tall</b>		14.5 x 8 x 24	\$355.00	
**AL-201412	<b>MEDIUM - Pipe Chase Housing</b>	<b>16</b>	20.5 x 14.5 x 13.5	\$698.00	
**AL-1014	<b>MEDIUM - Curb 14" tall</b>		18.5 x 12.5 x 14	\$289.00	
**ALTC-M18	<b>MEDIUM - Curb 18" tall</b>		18.5 x 12.5 x 18	\$345.00	
**ALTC-M24	<b>MEDIUM - Curb 24" tall</b>		18.5 x 12.5 x 24	\$369.00	
AL-202018	<b>Medium Next Gen Pipe Chase Housing</b>		20 x 20 x 18	\$935.00	
ALTC-MNG18	<b>Medium Next Gen Curb 18" tall</b>		18 x 18 x 18	\$572.00	
ALTC-MNG24	<b>Medium Next Gen Curb 24" tall</b>		18 x 18 x 24	\$625.00	
KH-32H	<b>Medium Double-Long Pipe Chase Housing</b>	<b>32</b>	38 x 14.5 x 13.5	\$1,159.00	
KH-3214C	<b>Double-Long Curb 14" tall</b>		36 x 12.5 x 14	\$694.00	
KH-3218C	<b>Double-Long Curb 18" tall</b>		36 x 12.5 x 18	\$749.00	
KH-3224C	<b>Double-Long Curb 24" tall</b>		36 x 12.5 x 24	\$849.00	
AL-343424	<b>LARGE - Pipe Chase Housing</b>	DNA	34 x 34 x 24	\$1,965.00	
AL-3232	<b>LARGE - Curb 14" tall</b>		32 x 32 x 14	\$759.00	
ALTC-L18	<b>LARGE - Curb 18" tall</b>		32 x 32 x 18	\$839.00	
ALTC-L24	<b>LARGE - Curb 24" tall</b>		32 x 32 x 24	\$939.00	
DH-186024	<b>Data Center Housing</b>	DNA	60 x 18 x 24	\$2,395.00	
DH-165814	<b>Data Center Curb - 14" tall</b>		58 x 16 x 14	\$869.00	
DH-165818	<b>Data Center Curb - 18" tall</b>		58 x 16 x 18	\$969.00	
DH-165824	<b>Data Center Curb - 24" tall</b>		58 x 16 x 24	\$1,099.00	
Custom	<b>Custom Housing</b>	DNA	TBD		
Custom	<b>Custom Curb</b>	DNA	TBD		
				<b>SUBTOTAL</b>	

Please find shipping information below exit seal section

For custom sizing information please contact [info@altaproductsllc.com](mailto:info@altaproductsllc.com) (minimum order quantities apply)

**Sigrist EXIT SEAL® (see sizing chart to select proper cap size)**

QTY	Part Number	DESCRIPTION	Cap size pathway dia.	UNIT PRICE	TOTAL
	**2025	Exit Seal (body and cap)	1/4" - 3/8"	\$26.95	
	**2037	Exit Seal (body and cap)	3/8" - 1/2"	\$26.95	
	**2050	Exit Seal (body and cap)	1/2" - 5/8"	\$26.95	
	**2062	Exit Seal (body and cap)	5/8" - 3/4"	\$26.95	
	**2075	Exit Seal (body and cap)	3/4" - 7/8"	\$26.95	
	**2087	Exit Seal (body and cap)	7/8" - 1"	\$26.95	
	**2100	Exit Seal (body and cap)	1" - 1 1/8"	\$26.95	
	**2112	Exit Seal (body and cap)	1 1/8" - 1 1/4"	\$26.95	
	**2125	Exit Seal (body and cap)	1 1/4" - 1 3/8"	\$26.95	
	**2137	Exit Seal (body and cap)	1 3/8" - 1 1/2"	\$26.95	
	**2150	Exit Seal (body and cap)	1 1/2" - 1 5/8"	\$26.95	
	**2200	Exit Seal (body and cap)	1 7/8" - 2"	\$44.95	
	**2225	Exit Seal (body and cap)	2 1/8" - 2 1/4"	\$44.95	
	**2237	Exit Seal (body and cap)	2 1/4" - 2 3/8"	\$44.95	
	**2250	Exit Seal (body and cap)	2 3/8" - 2 1/2"	\$44.95	
	**2287	Exit Seal (body and cap)	2 3/4" - 2 7/8"	\$44.95	
	HS-225	Hole Saw with Mandrel - Metal cutting	2.25" Dia	\$37.00	
	HS-325	Hole Saw with Mandrel - Metal cutting	3.25" Dia	\$45.00	

**Total Seals**

SUBTOTAL

SHIPPING

TOTAL

\$25.00

\$25.00

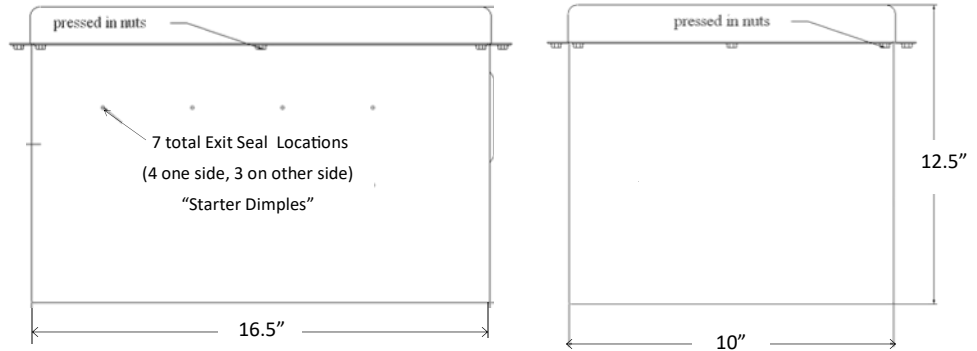
**IMPORTANT NOTES**

25% return fee (for pre-approved returns only), N/A for custom orders

\*\*Shipping charge minimum of \$25.00

\*\*\*Please call for current lead times\*\*\*

**Model AL-161010 & AL-158 Small Pipe Chase Housing & 14" Curb**



**Pipe Chase Housing & Curb**

Shown above with 4 Sigrist Exit Seals™ installed (Sigrist Exit Seals™ available in sizes 1/4" to 1 5/8" OD)

Max. number of Sigrist Exit Seals™ is 7 (4 on one side and 3 on the other)

Model #	Description	Length	Width	Height
AL-161010	Housing	16.5"	10"	12.5"
AL-158C	Curb	14.5"	8"	14"

**Note:** Overall height of the Pipe Chase Housing mounted on top of the Sigrist Curb is 23.5" tall - There is a 3" skirt/overlap from the Pipe Chase Housing down over the top of the curb.

\*\*\* Dimensions are nominal and may be revised without notice

**Specifications - Pipe Chase Housing**

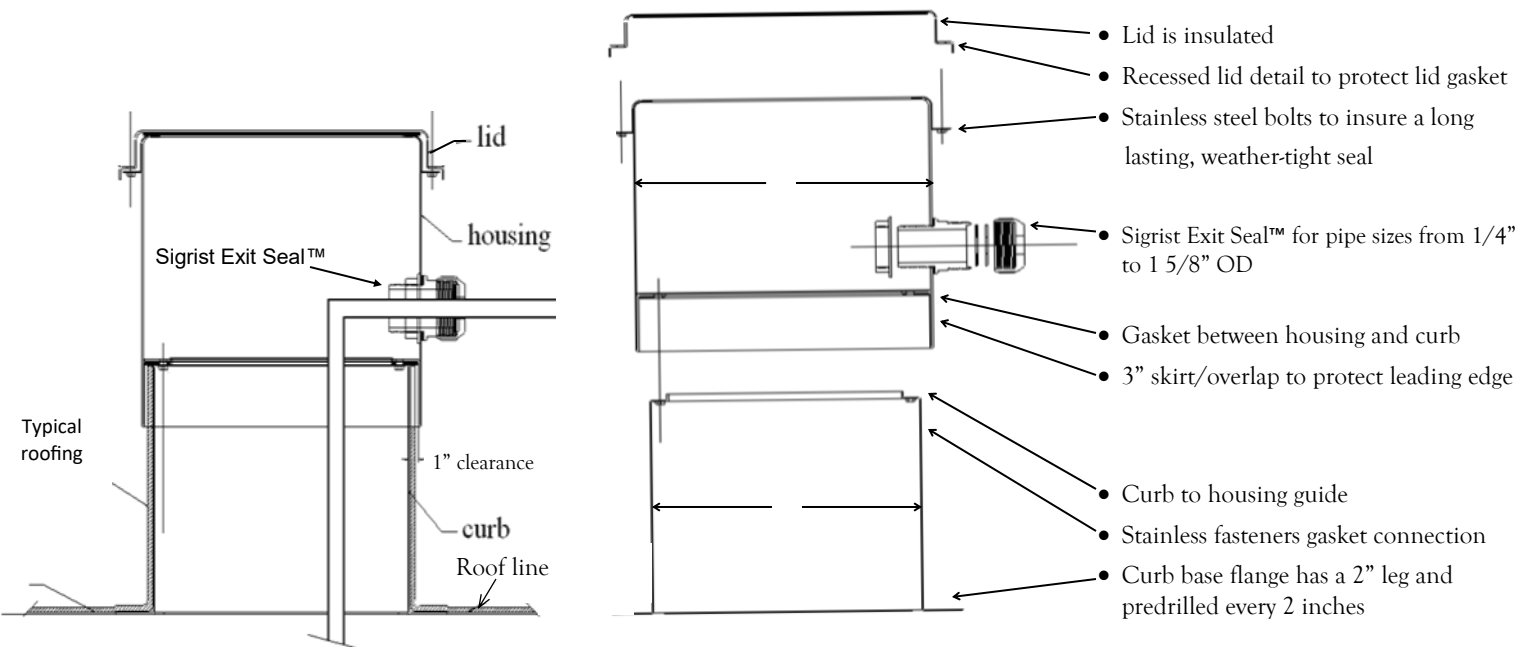
- .080 aluminum (Body and lid)
- UV protected powder coating
- Full thermal break interior with gaskets and insulation
- Stainless steel fasteners
- Housing has Exit Seal locator/starter dimples

**Specifications - Curb**

- .080 aluminum - non finished exterior
- Full thermal break interior (Insulation pad)

**Specifications - Sigrist Exit Seal™**

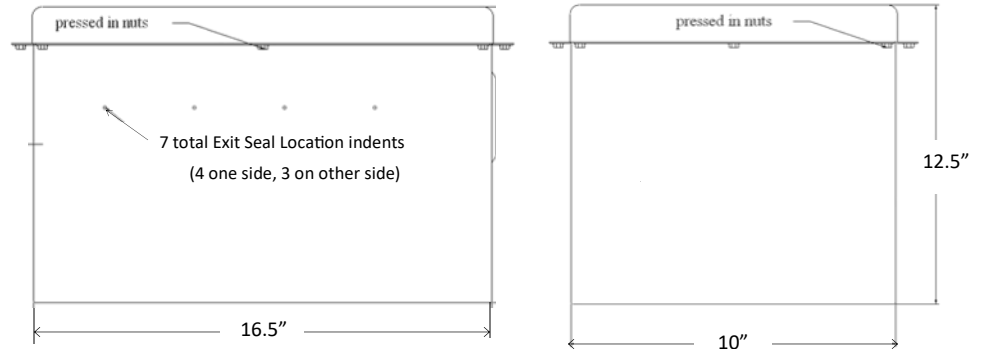
- Injection molded ABS - Schedule-80 performance
- Color: White
- Sizes: 11 pathway sizes (.25" through 1 5/8" OD line sizes)



# SUBMITTAL

All dimensions are nominal and may be revised without notice

## Model AL-161010 & ALTC-S18 - Small Pipe Chase Housing & 18" Curb



### Pipe Chase Housing & Curb

Shown above with 4 Sigrist Exit Seals™ installed (Sigrist Exit Seals™ available in sizes from: 1/4" to 1 5/8" OD)

Max. number of Sigrist Exit Seals™ is 7 seals. (4 on one side and 3 on the other)

Model #	Description	Length	Width	Height
AL-161010	Housing	16.5"	10"	12.5"
ALTC-S18	Curb	14.5"	8"	18"

**Note:** Overall height of the Pipe Chase Housing mounted on top of the Sigrist Curb is 23.5" tall - There is a 3" skirt/overlap from the Pipe Chase Housing down over the top of the curb.

\*\*\* Dimensions are nominal and may be revised without notice

### Specifications - Pipe Chase Housing

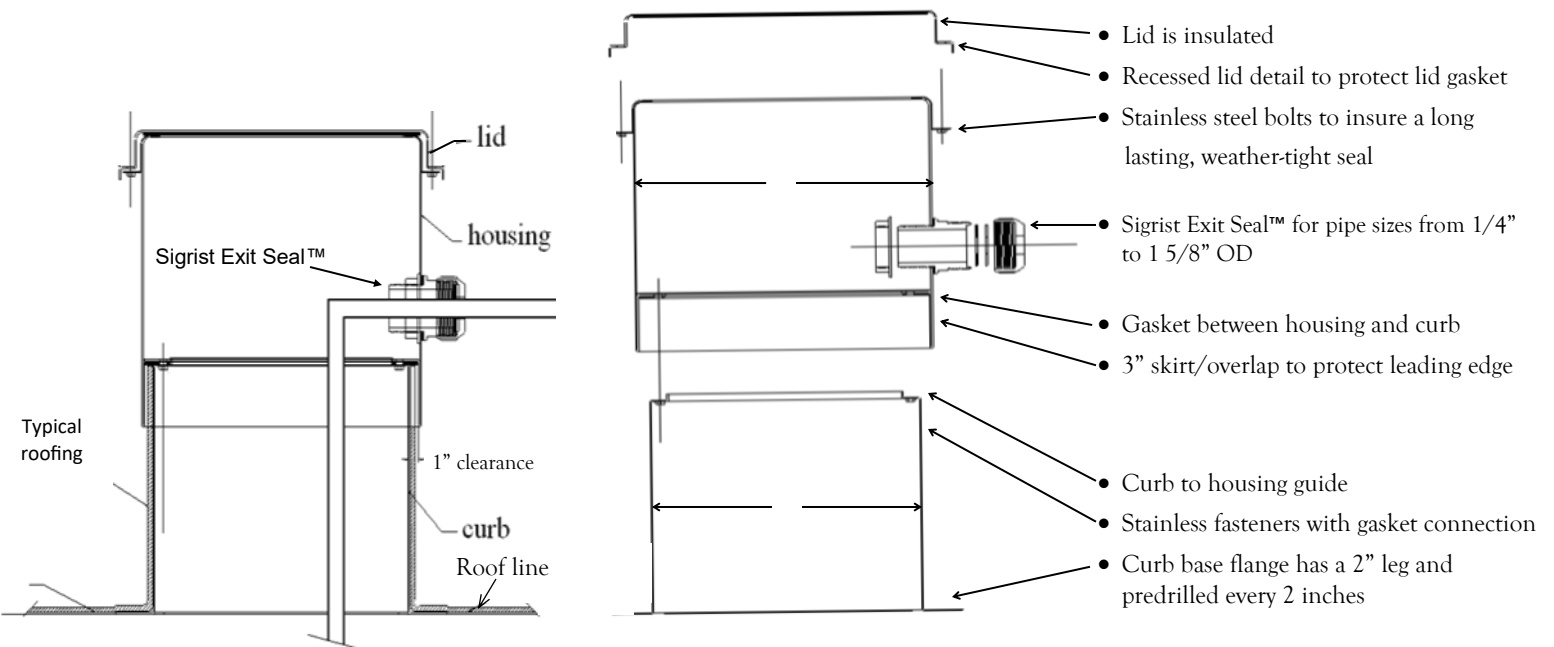
- .080 aluminum (Body and lid)
- UV protected powder coating
- Full thermal break interior with gaskets and insulation
- Stainless steel fasteners
- Housing has 7 Exit Seal locator/starter dimples (4 and 3)

### Specifications - Curb

- .080 aluminum - non-finished exterior
- Full thermal break interior (Insulated interior)

### Specifications - Sigrist Exit Seal™

- Injection molded ABS - Schedule-80 performance
- Color: White
- Sizes: 11 plus a full cap. (1/4" through 1 5/8" OD line sizes)



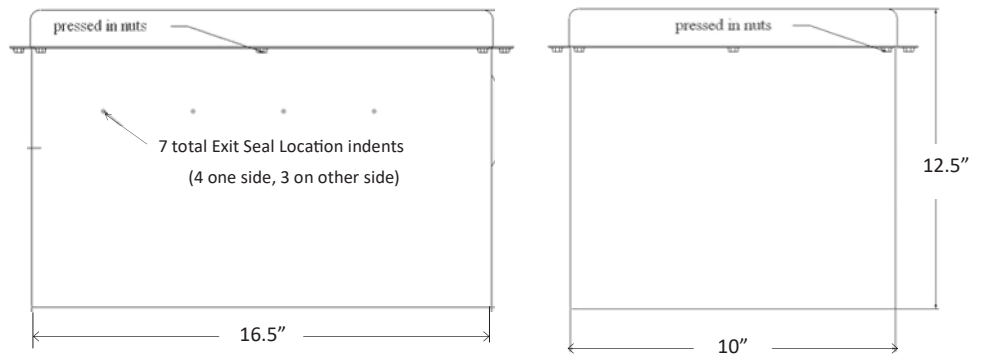


# Submittal

All dimensions are nominal and may be revised without notice



## Model AL-161010 & ALTC-S24 - Small Pipe Chase Housing & 24" Curb



### Pipe Chase Housing & Curb

Shown above with 4 Sigrist Exit Seals™ installed (Sigrist Exit Seals™ available in sizes from: 1/4" to 1 5/8" OD)

Max. number of Sigrist Exit Seals™ is 7 seals. (4 on one side and 3 on the other)

Model #	Description	Length	Width	Height
AL-161010	Housing	16.5"	10"	12.5"
ALTC-S24	Curb	14.5"	8"	24"

**Note:** Overall height of the Pipe Chase Housing mounted on top of the Sigrist Curb is 23.5" tall - There is a 3" skirt/overlap from the Pipe Chase Housing down over the top of the curb.

\*\*\* Dimensions are nominal and may be revised without notice

### Specifications - Pipe Chase Housing

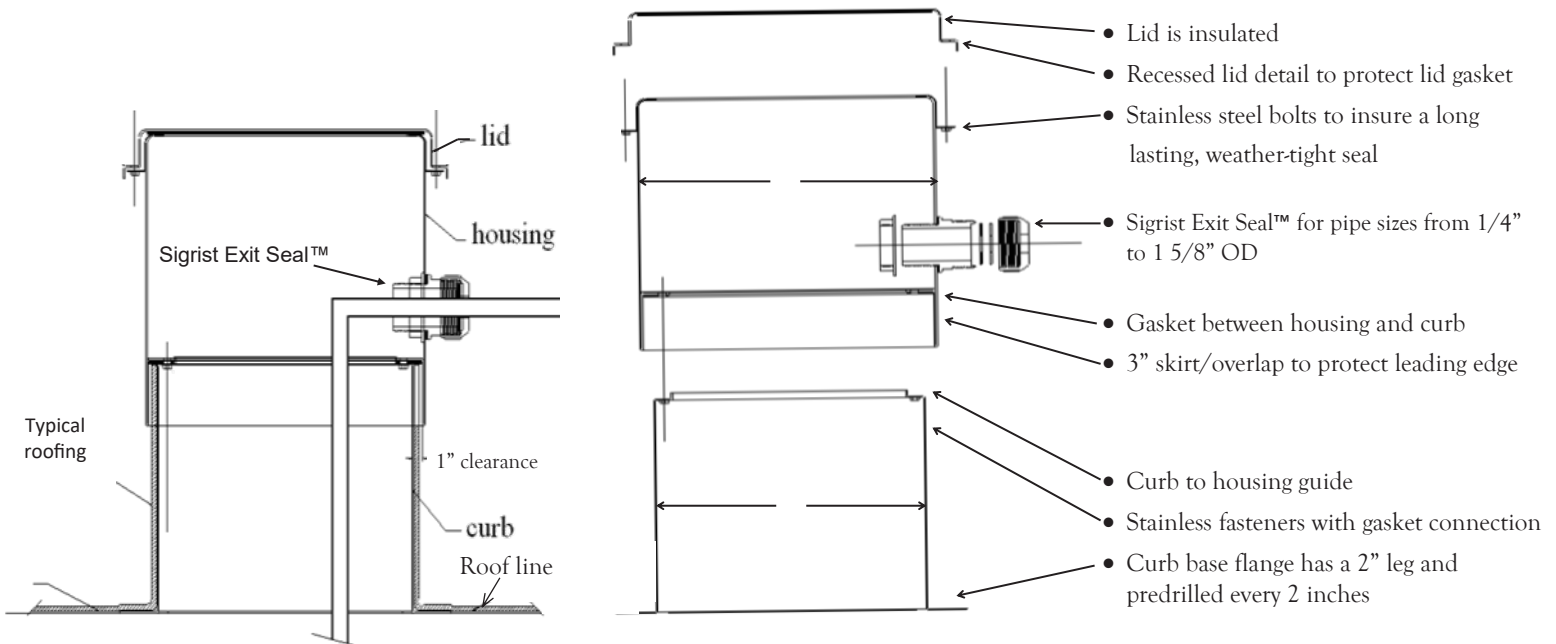
- .080 aluminum (Body and lid)
- UV protected powder coating
- Full thermal break interior with gaskets and insulation
- Stainless steel fasteners
- Housing has 7 Exit Seal locator/starter dimples (4 and 3)

### Specifications - Curb

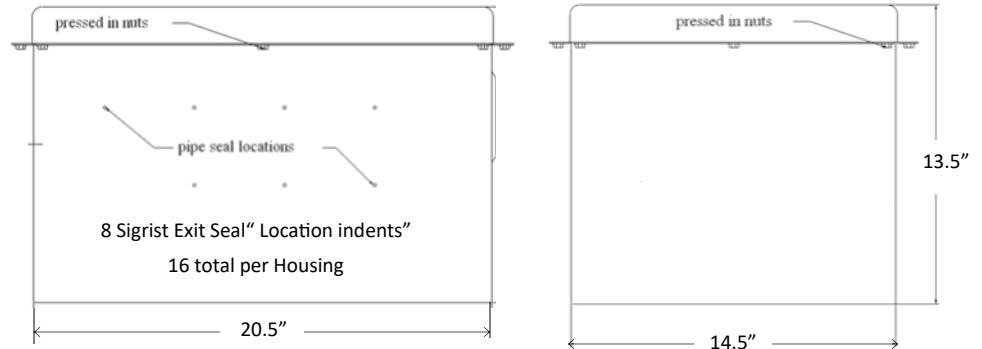
- .080 aluminum - non-finished exterior
- Full thermal break interior (Insulated interior)

### Specifications - Sigrist Exit Seal™

- Injection molded ABS - Schedule-80 performance
- Color: White
- Sizes: 11 plus a full cap. (1/4" through 1 5/8" OD line sizes)



## Model AL-201412 & AL-1014 Medium Pipe Chase Housing & 14" Curb



### Pipe Chase Housing & Curb

Shown above with 4 Sigrist Exit Seals™ installed (Sigrist Exit Seals™ available in sizes 1/4" to 1 5/8" OD)

Max. number of Sigrist Exit Seals™ is 16. (8 Sigrist Exit Seal per front and back)

Model #	Description	Length	Width	Height
AL-201412	Housing	20.5"	14.5"	13.5"
AL-1014	Curb	18.5"	12.5"	14"

**Note:** Overall height of the Pipe Chase Housing mounted on top of the Sigrist Curb is 24.5" tall - There is a 3" skirt/overlap from the Pipe Chase Housing down over the top of the curb.

\*\*\* Dimensions are nominal and may be revised without notice

### Specifications - Pipe Chase Housing

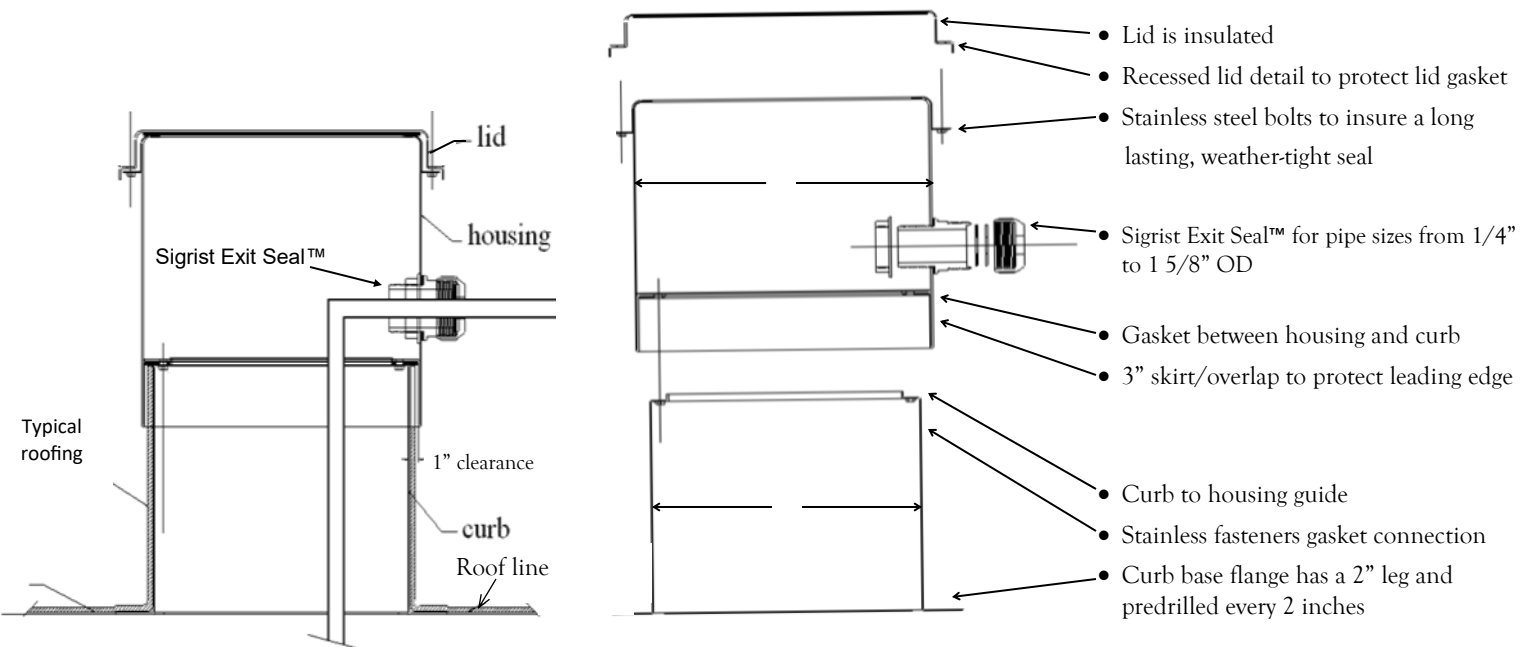
- .080 aluminum (Body and lid)
- UV protected powder coating - Housing only
- Full thermal break interior with gaskets and insulation
- Stainless steel fasteners
- Housing has Exit Seal locator/starter dimples

### Specifications - Curb

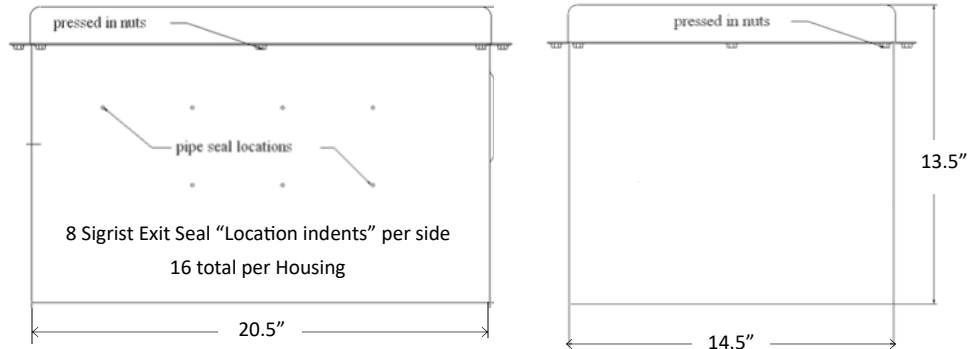
- .080 aluminum - non finished exterior
- Full thermal break interior (Insulation pad)

### Specifications - Sigrist Exit Seal™

- Injection molded ABS - Schedule-80 performance
- Color: White
- Sizes: 11 pathway sizes (.25" through 1 5/8" OD line sizes)



**Model AL-201412 & ALTC-M18 Medium Pipe Chase Housing & 18" Curb**



**Pipe Chase Housing & Curb**

Shown above with 4 Sigrist Exit Seals™ installed (Sigrist Exit Seals™ available in sizes 1/4" to 1 5/8" OD)

Max. number of Sigrist Exit Seals™ is 16. (8 Sigrist Exit Seal per front and back)

Model #	Description	Length	Width	Height
AL-201412	Housing	20.5"	14.5"	13.5"
ALTC-M18	Curb	18.5"	12.5"	18"

**Note:** Overall height of the Pipe Chase Housing mounted on top of the Sigrist Curb is 28.5" tall - There is a 3" skirt/overlap from the Pipe Chase Housing down over the top of the curb.

\*\*\* Dimensions are nominal and may be revised without notice

**Specifications - Pipe Chase Housing**

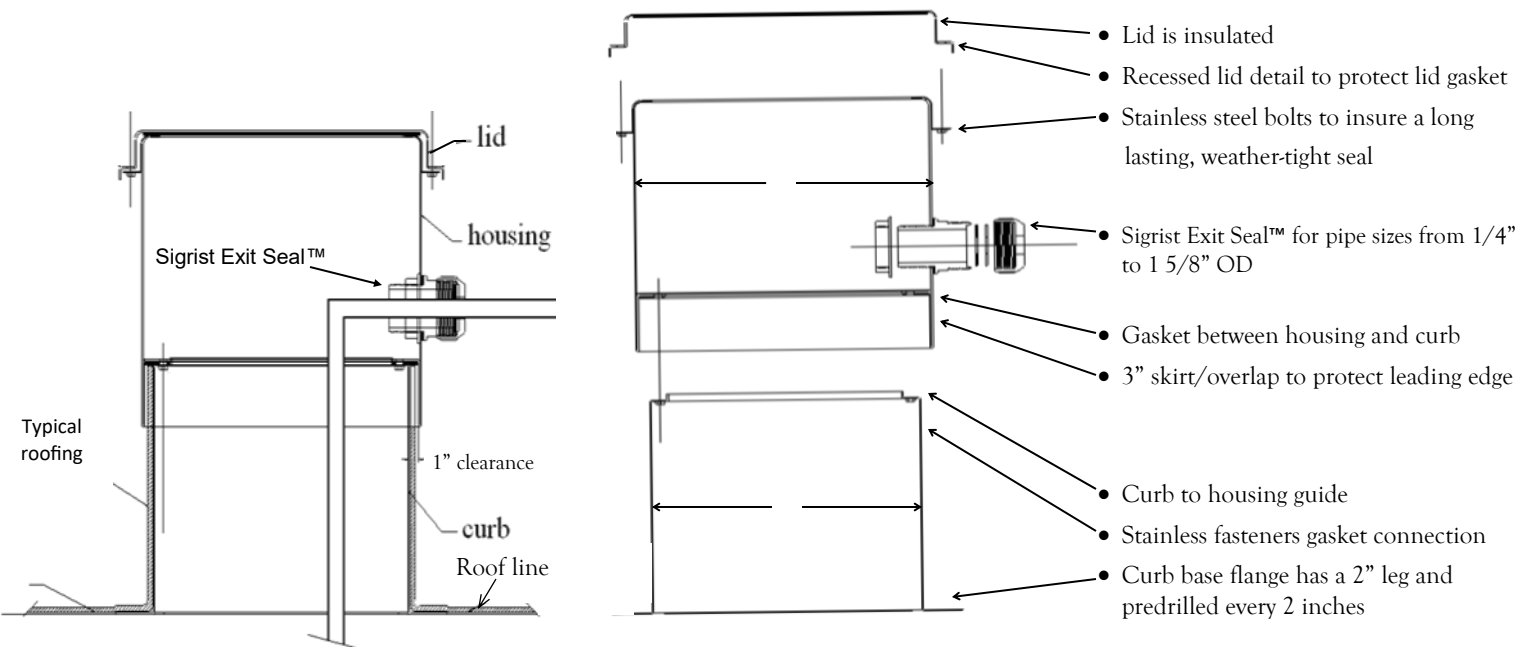
- .080 aluminum (Body and lid)
- UV protected powder coating - Housing only
- Full thermal break interior with gaskets and insulation
- Stainless steel fasteners
- Housing has Exit Seal locator/starter dimples

**Specifications - Curb**

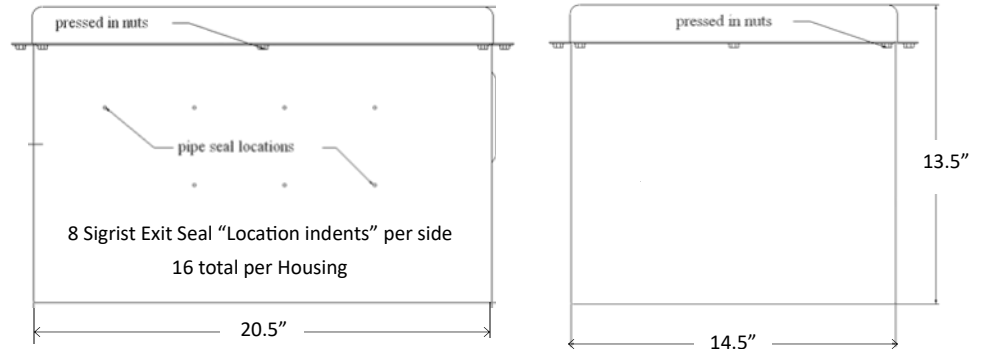
- .080 aluminum - non finished exterior
- Full thermal break interior (Insulation pad)

**Specifications - Sigrist Exit Seal™**

- Injection molded ABS - Schedule-80 performance
- Color: White
- Sizes: 11 pathway sizes (.25" through 1 5/8" OD line sizes)



## Model AL-201412 & ALTC-M24 Medium Pipe Chase Housing & 24" Curb



### Pipe Chase Housing & Curb

Shown above with 4 Sigrist Exit Seals™ installed (Sigrist Exit Seals™ available in sizes 1/4" to 1 5/8" OD)

Max. number of Sigrist Exit Seals™ is 16. (8 Sigrist Exit Seal per front and back)

Model #	Description	Length	Width	Height
AL-201412	Housing	20.5"	14.5"	13.5"
ALTC-M24	Curb	18.5"	12.5"	24"

**Note:** Overall height of the Pipe Chase Housing mounted on top of the Sigrist Curb is 34.5" tall - There is a 3" skirt/overlap from the Pipe Chase Housing down over the top of the curb.

\*\*\* Dimensions are nominal and may be revised without notice

### Specifications - Pipe Chase Housing

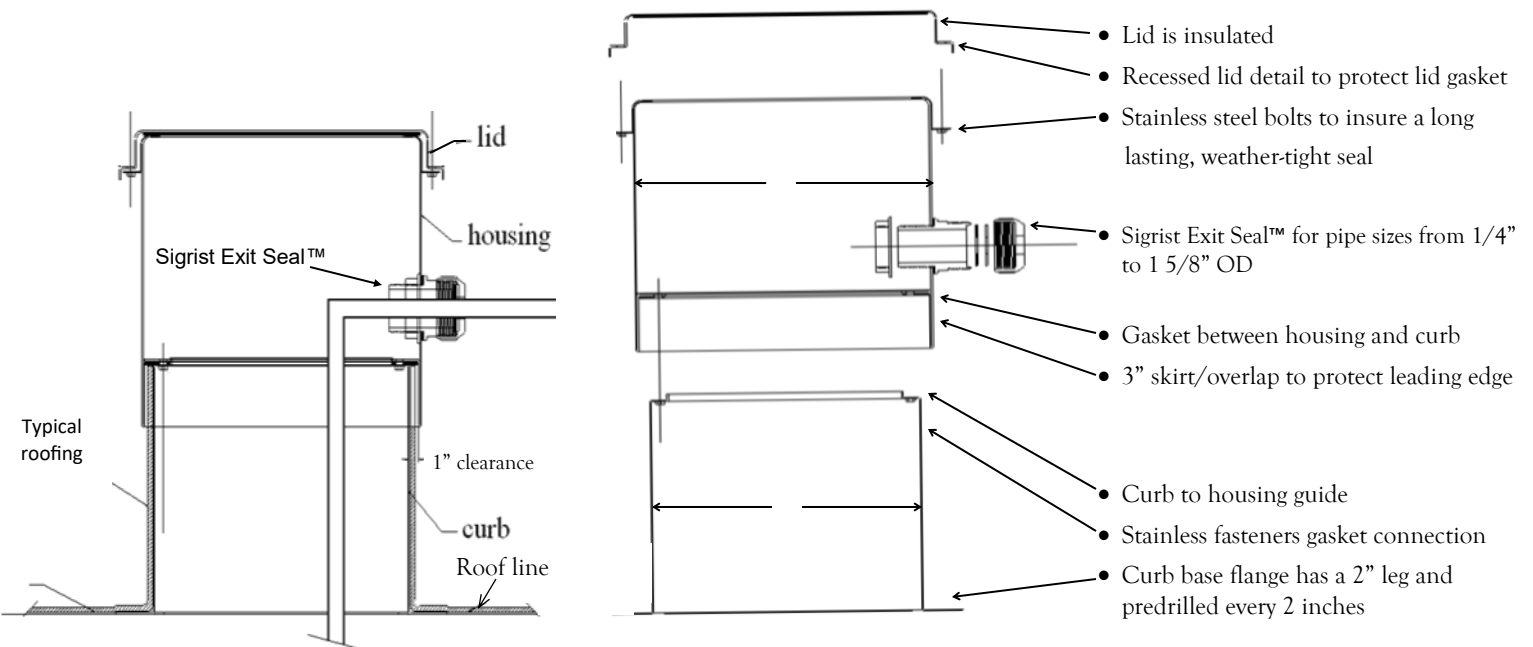
- .080 aluminum (Body and lid)
- UV protected powder coating - Housing only
- Full thermal break interior with gaskets and insulation
- Stainless steel fasteners
- Housing has Exit Seal locator/starter dimples

### Specifications - Curb

- .080 aluminum - non finished exterior
- Full thermal break interior (Insulation pad)

### Specifications - Sigrist Exit Seal™

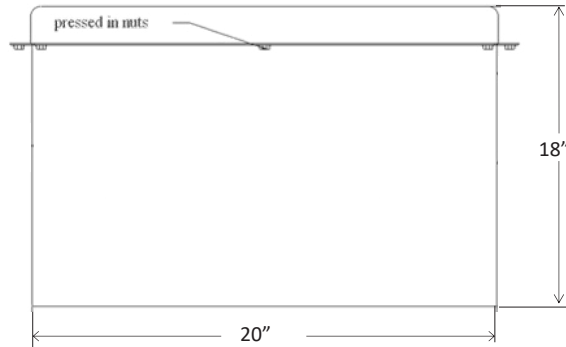
- Injection molded ABS - Schedule-80 performance
- Color: White
- Sizes: 11 pathway sizes (.25" through 1 5/8" OD line sizes)



# Submittal

All dimensions are nominal and may be revised without notice

## AL-202018 & ALTC-MNG18 Medium Next Gen Pipe Chase Housing & 18" Curb



Model #	Description	Length	Width	Height
AL-202018	Housing	20"	20"	18"
ALTC-MNG18	Curb	18"	18"	18"

**Note:** Overall height of the Pipe Chase Housing mounted on top of the Sigrist Curb is 33" tall - There is a 3" skirt/overlap from the Pipe Chase Housing down over the top of the curb.

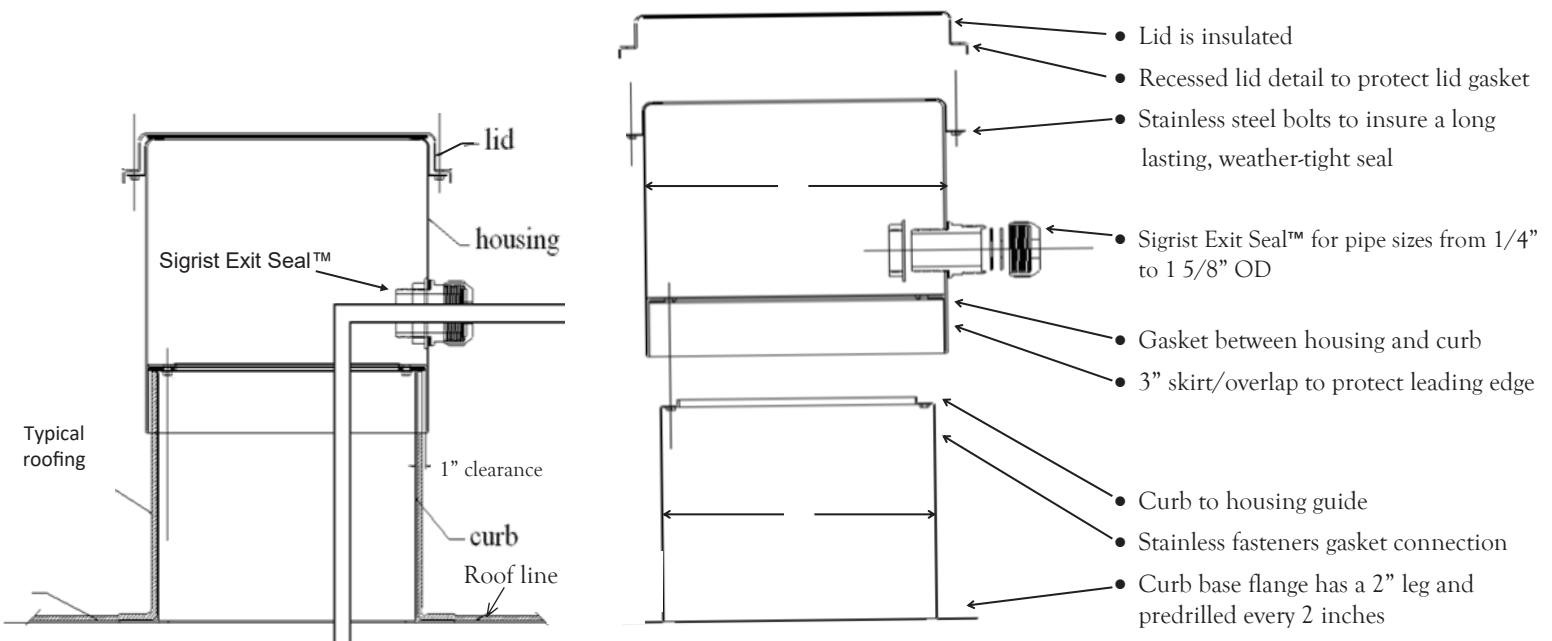
\*\*\* Dimensions are nominal and may be revised without notice

### Specifications - Pipe Chase Housing

- 0.080" aluminum (Housing and curb assemblies)
- UV protected powder coating - Housing only
- Full thermal break interior with gaskets and insulation
- Stainless steel fasteners
- Housing has Exit Seal locater/starter dimples

### Specifications - Curb

- 0.080" aluminum - non finished exterior
- Skip welded seams
- Full thermal break interior (Insulation pad)

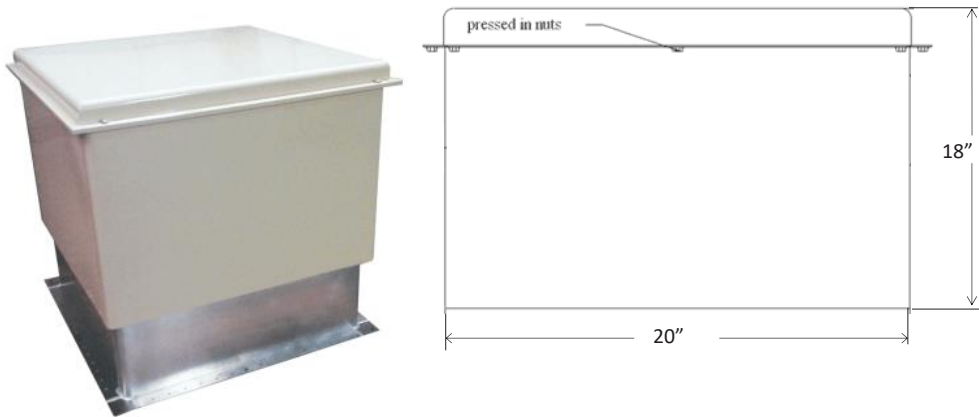


# Submittal

All dimensions are nominal and may be revised without notice



## AL-202018 & ALTC-MNG24 Medium Next Gen Pipe Chase Housing & 24" Curb



Model #	Description	Length	Width	Height
AL-202024	Housing	20"	20"	18"
ALTC-MNG24	Curb	18"	18"	24"

**Note:** Overall height of the Pipe Chase Housing mounted on top of the Sigrist Curb is 39" tall - There is a 3" skirt/overlap from the Pipe Chase Housing down over the top of the curb.

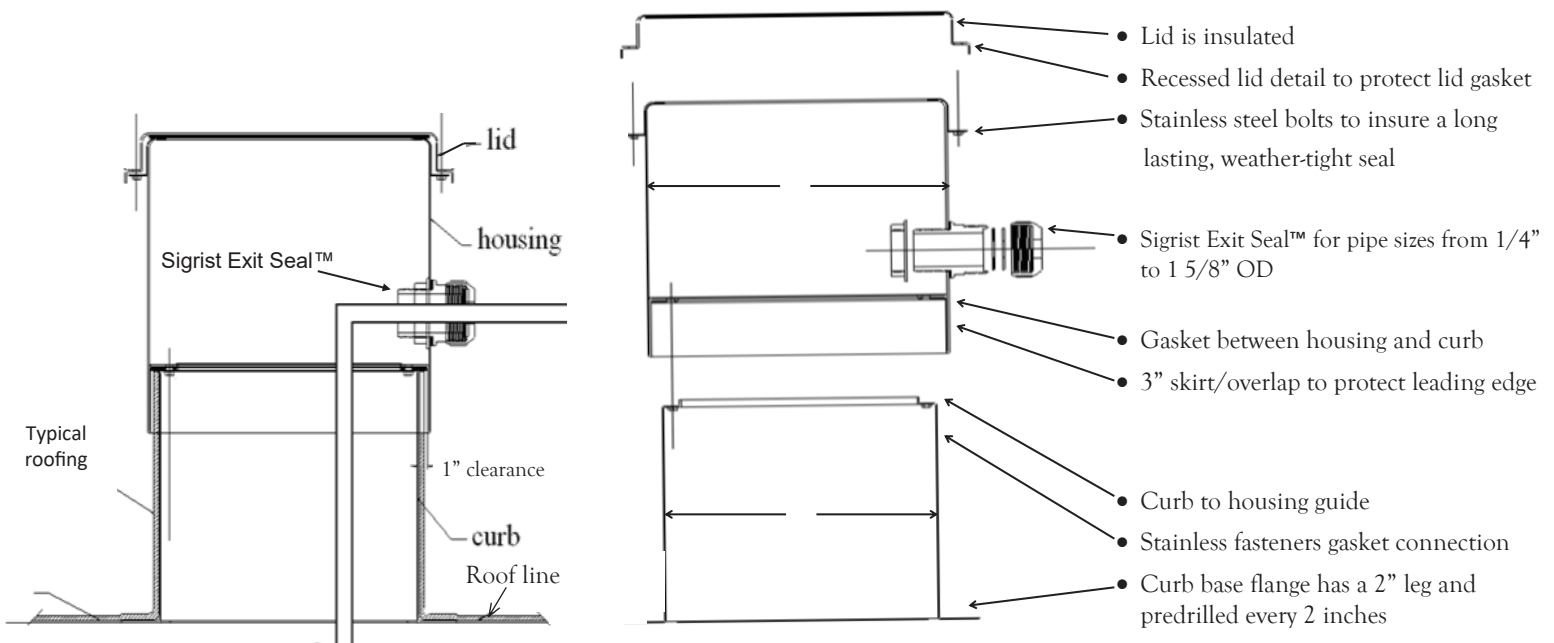
\*\*\* Dimensions are nominal and may be revised without notice

**Specifications - Pipe Chase Housing**

- 0.080" aluminum (Housing and curb assemblies)
- UV protected powder coating - Housing only
- Full thermal break interior with gaskets and insulation
- Stainless steel fasteners
- Housing has Exit Seal locater/starter dimples

**Specifications - Curb**

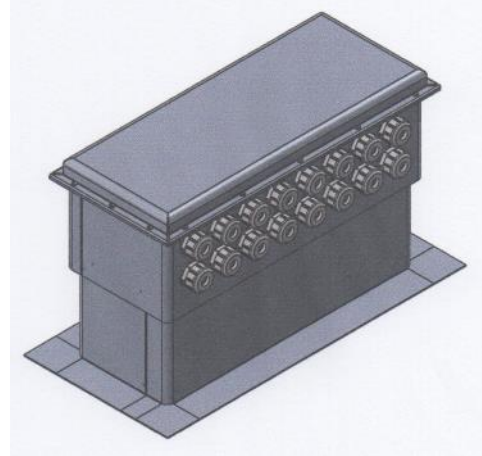
- 0.080" aluminum - non finished exterior
- Skip welded seams
- Full thermal break interior (Insulation pad)



**Medium Double-long Pipe Chase Housing & 14" tall or 18" tall Curb**



Model #	Description	Length	Width	Height	Weight
KH-32H	Housing - Medium Double-Long	38"	15"	14"	36 lbs
KH-3214C	14" tall Curb - Medium Double-Long	36"	13"	14"	24 lbs
KH-3218C	18" tall Curb - Medium Double-Long	36"	13"	18"	25 lbs



**Specifications - Pipe Chase Housing**

- .125" aluminum (Body and lid)
- UV protected powder coating - Housing only
- Full thermal break interior with gaskets and insulation
- Stainless steel fasteners
- Housing has 32 Exit Seal locator/starter dimples

**Specifications - Curb**

- .125" aluminum - non finished exterior
- Full thermal break interior (Insulation pad)

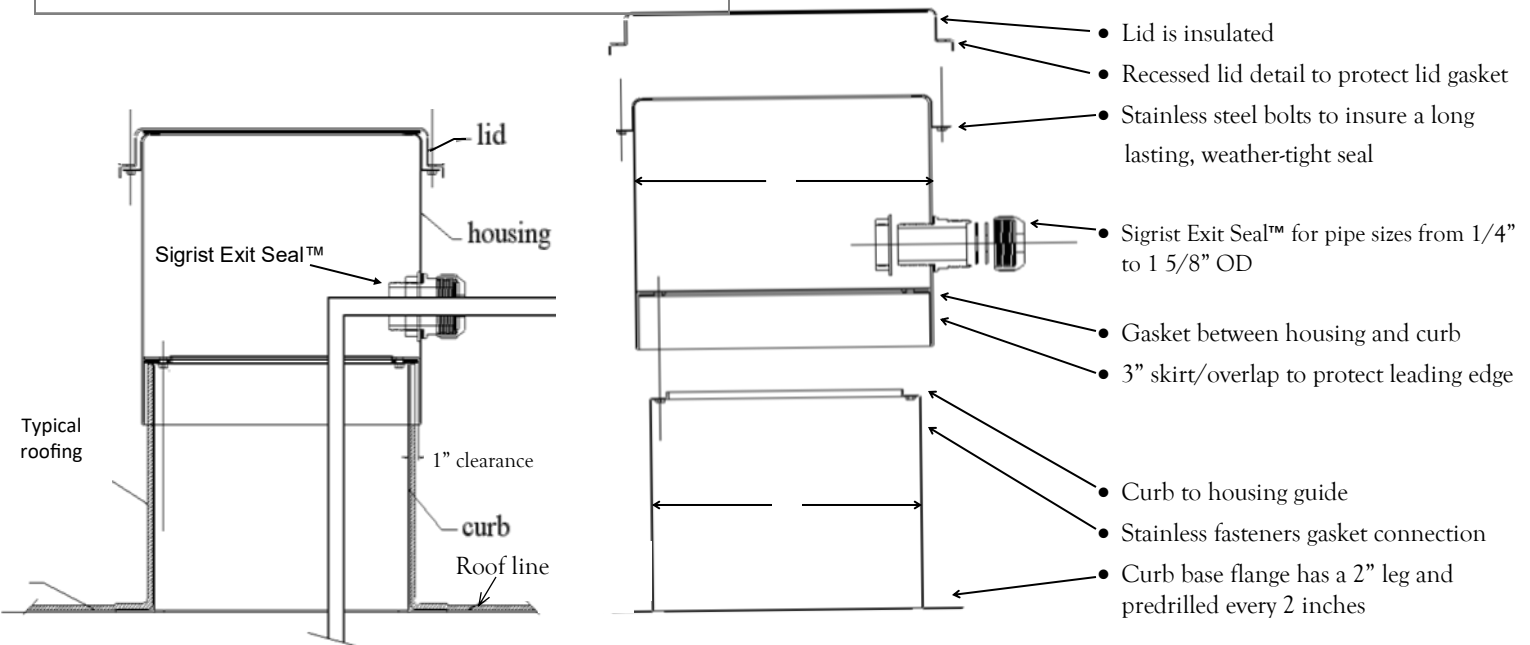
**Specifications - Sigrist Exit Seal™**

- Injection molded ABS - Schedule-80 performance
- Color: White
- Sizes: 11 pathway sizes (.25" through 1 5/8" OD line sizes)

**Size: Medium Double-Long Pipe Chase Housing & Curb**

Shown above with 16 Sigrist Exit Seals™ installed (Sigrist Exit Seals™ available in sizes 1/4" to 1 5/8" OD)  
 Max. number of Sigrist Exit Seals™ is 32. (16 Exit Seals per front and back surface)

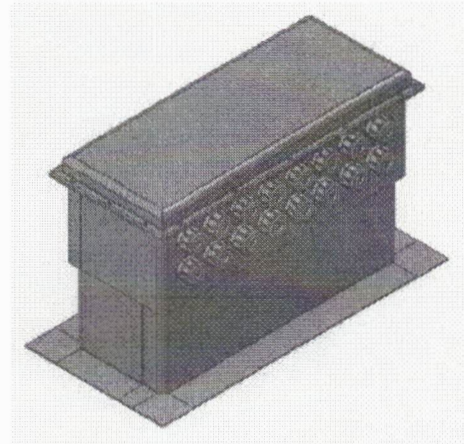
**Note:** Overall height of the Pipe Chase Housing mounted on top of our Curb is a 3" less that the total of the two heights due to the skirt/overlap from the Pipe Chase Housing down over the top of the curb is 3". \*\*\* Dimensions are nominal and may be revised without notice



**Medium Double-long Pipe Chase Housing & 24" tall Curb**



Model #	Description	Length	Width	Height	Weight
KH-32H	Housing - Medium Double-Long	38"	15"	14"	36 lbs
KH-3224C	24" tall Curb - Medium Double-Long	36"	13"	24"	28 lbs



**Specifications - Pipe Chase Housing**

- .125" aluminum (Body and lid)
- UV protected powder coating - Housing only
- Full thermal break interior with gaskets and insulation
- Stainless steel fasteners
- Housing has 32 Exit Seal locater/starter dimples

**Specifications - Curb**

- .125" aluminum - non finished exterior
- Full thermal break interior (Insulation pad)

**Specifications - Sigrist Exit Seal™**

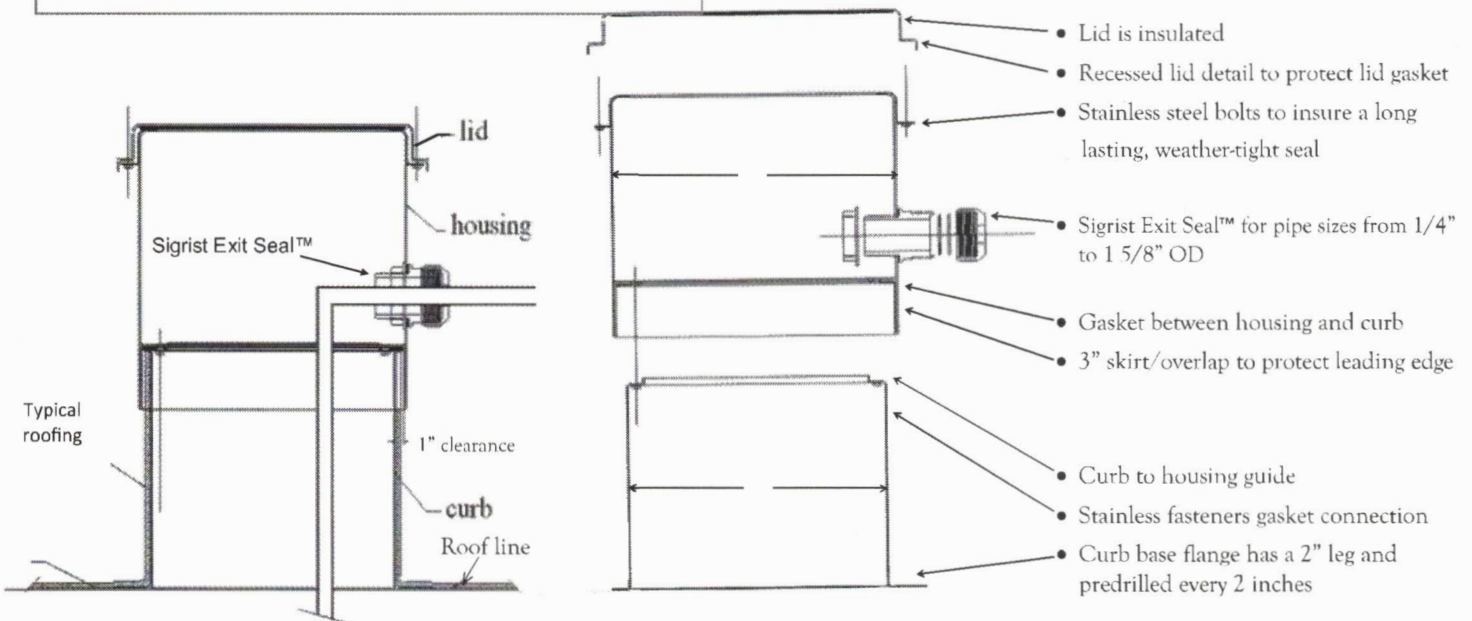
- Injection molded ABS - Schedule-80 performance
- Color: White
- Sizes: 11 pathway sizes (.25" through 1 5/8" OD line sizes)

**Size: Medium Double-Long Pipe Chase Housing & Curb**

Shown above with 16 Sigrist Exit Seals™ installed (Sigrist Exit Seals™ available in sizes 1/4" to 1 5/8" OD)

Max. number of Sigrist Exit Seals™ is 32. (16 Exit Seals per front and back surface)

**Note:** Overall height of the Pipe Chase Housing mounted on top of our Curb is a 3" less than the total of the two heights due to the skirt/overlap from the Pipe Chase Housing down over the top of the curb is 3". \*\*\* Dimensions are nominal and may be revised without notice

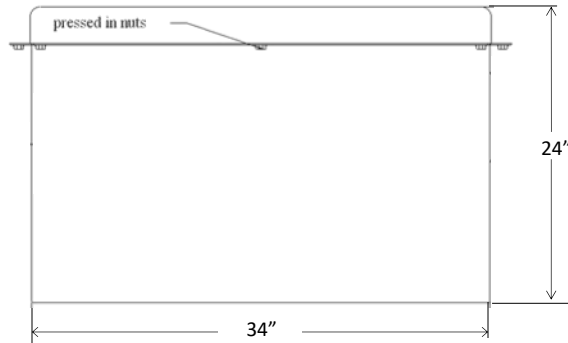




# SUBMITTAL

All dimensions are nominal and may be revised without notice

## Model AL-343424 & AL-323214 LARGE Pipe Chase Housing & 14" Curb



Model #	Description	Length	Width	Height
AL-343424	Housing	34"	34"	24"
AL-323214	Curb	32"	32"	14"

**Note:** Overall height of the Pipe Chase Housing mounted on top of the Sigrist Curb is 35" tall - There is a 3" skirt/overlap from the Pipe Chase Housing down over the top of the curb.

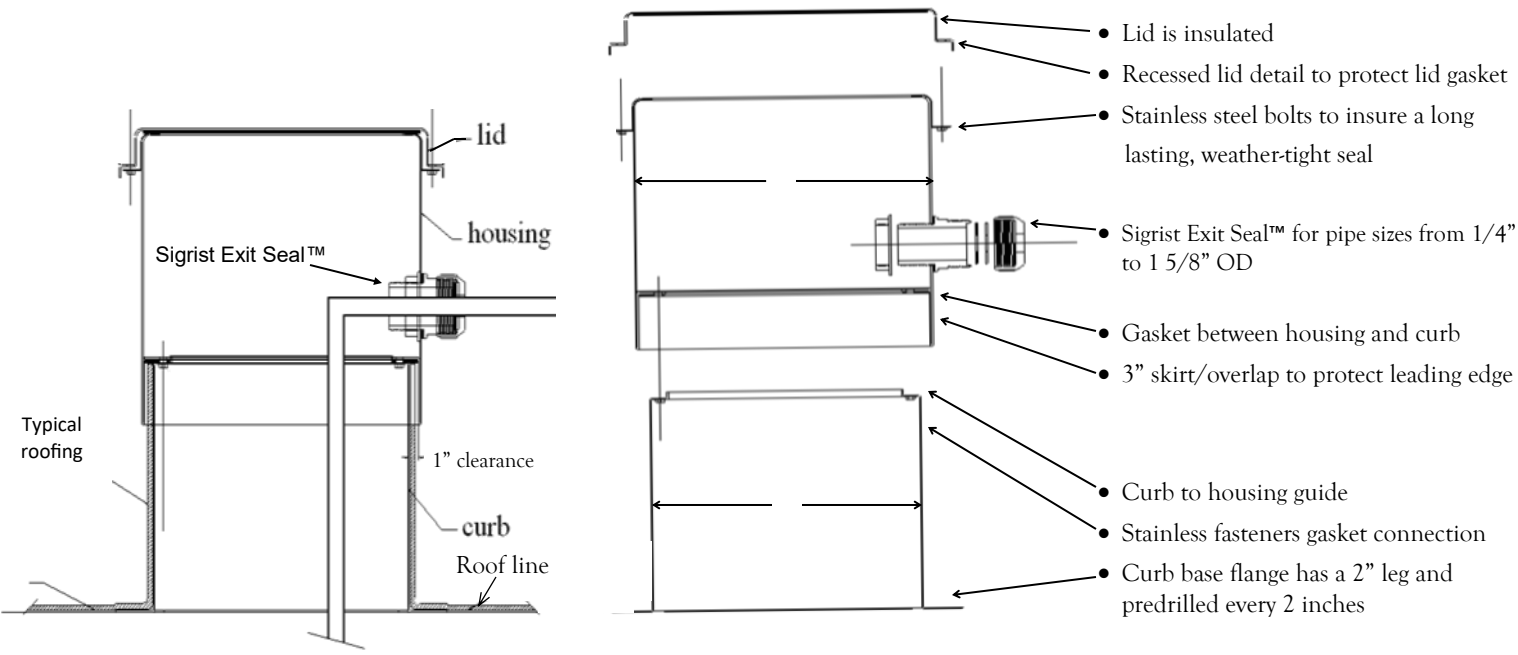
\*\*\* Dimensions are nominal and may be revised without notice

**Specifications - Pipe Chase Housing**

- .125" aluminum (Housing and curb assemblies)
- UV protected powder coating - Housing only
- Full thermal break interior with gaskets and insulation
- Stainless steel fasteners
- Housing has Exit Seal locator/starter dimples

**Specifications - Curb**

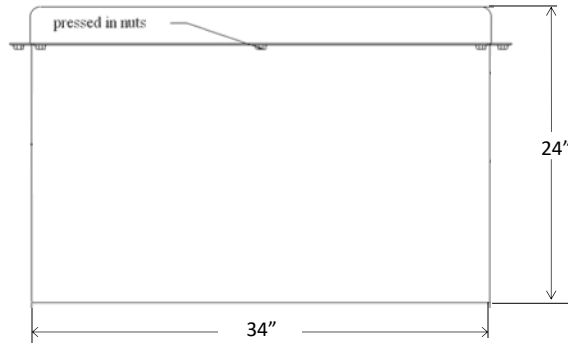
- .125" aluminum - non finished exterior
- Skip welded seams
- Full thermal break interior (Insulation pad)



# SUBMITTAL

All dimensions are nominal and may be revised without notice

## Model AL-343424 & ALTC-L18 LARGE Pipe Chase Housing & 18" Curb



Model #	Description	Length	Width	Height
AL-343424	Housing	34"	34"	24"
ALTC-L18	Curb	32"	32"	18"

**Note:** Overall height of the Pipe Chase Housing mounted on top of the Sigrist Curb is 39" tall - There is a 3" skirt/overlap from the Pipe Chase Housing down over the top of the curb.

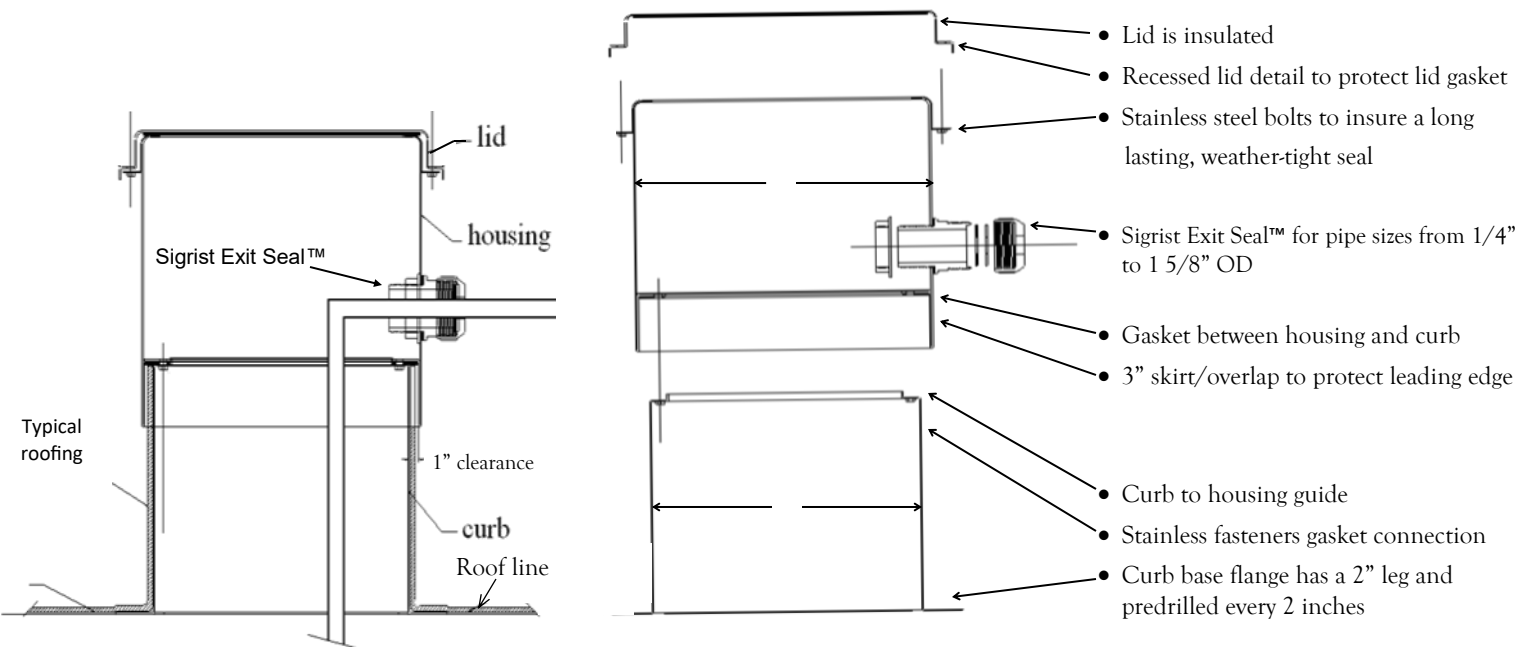
\*\*\* Dimensions are nominal and may be revised without notice

### Specifications - Pipe Chase Housing

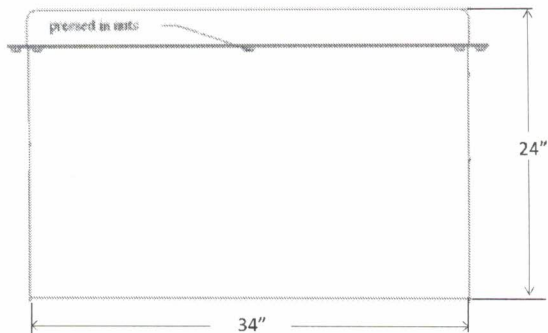
- .125" aluminum (Housing and curb assemblies)
- UV protected powder coating - Housing only
- Full thermal break interior with gaskets and insulation
- Stainless steel fasteners
- Housing has Exit Seal locator/starter dimples

### Specifications - Curb

- .125" aluminum - non finished exterior
- Skip welded seams
- Full thermal break interior (Insulation pad)



**Model AL-343424 & ALTC-L24 LARGE Pipe Chase Housing & 24" Curb**



Model #	Description	Length	Width	Height
AL-343424	Housing	34"	34"	24"
ALTC-L24	Curb	32"	32"	24"

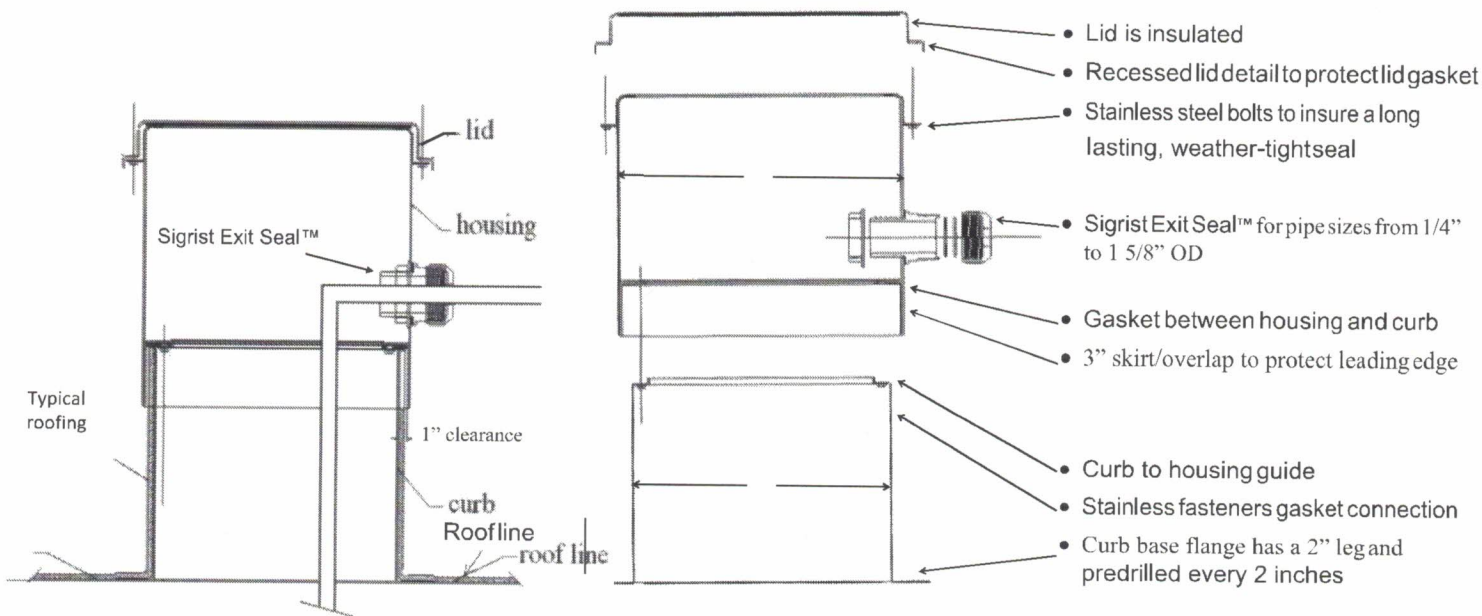
**Note:** Overall height of the Pipe Chase Housing mounted on top of the Sigris Curb is 45" tall - There is a 3" skirt/overlap from the Pipe Chase Housing down over the top of the curb.  
 \*\*\* Dimensions are nominal and may be revised without notice

**Specifications - Pipe Chase Housing**

- .125" aluminum (Housing and curb assemblies)
- UV protected powder coating - Housing only
- Full thermal break interior with gaskets and insulation
- Stainless steel fasteners
- Housing has Exit Seal locator/starter dimples

**Specifications - Curb**

- .125" aluminum - non finished exterior
- Skip welded seams
- Full thermal break interior (Insulation pad)





## Submittal of materials and assemblies for the Data Center Pipe Chase Housing and Exit Seals

**Dimensions:** Housing: 18" x 60" x 24" tall      **Part number: DH-186024**  
Curb: 16" x 58" x 14" tall      **Part number: DH-165814**

**Materials:** Housing and curb are fabricated from .125" thick - 5052 grade aluminum  
Housing: All joints are welded and surfaced and to be considered weather-tight.  
Curb: Skip welded seams

**Finish:** Housing and lid have a 2 mil. thick, UV inhibited, powder coated finish  
Housing Color: Beige is the standard color  
Curb: Non finished

**Gaskets:** Gaskets between the lid to housing and housing to curb connection points are factory applied  
Gasket material is a poly foam material approximately 1/8" thick.

**Fasteners:** Stainless steel fasteners are supplied by the factory for the lid to housing and housing to curb connections. The architect will determine and specify the best suited curb to roof deck fastener.

**Interior treatment:** Housing and curb are insulated with a 1" thick semi rigid batting material

**Design notes:** The lid will incorporate a 4" rain visor tilted at angle to screen rain from the pipe and line pathway  
The curb base will have a 4" flange with double rows of pre-drilled holes on 6" centers +/-

### Exit Seals

**Dimensions** All Exit Seals are designed fit into a 2.25" diameter hole drilled or punched into the vertical surfaces of the Pipe Chase Housing.

**Materials:** ABS resin with UV inhibitors added to the resin (not topically applied) is used for all injection molded parts of the Exit Seal. White is the only color available. (There will be slight color variations from one production run to the next).

**Gaskets:** 1/8" thick EPDM rubber compound is used for both the backing nut and cap gaskets

**Performance:** Sigrist Exit Seals® meet and or exceed Schedule 80 performance standards

**Sizes:** The Sigrist Exit Seal® body remains the same – there are 11 cap opening sizes available  
(1/4" up to 1 5/8" Dia. OD)

*Note: All dimensions provided are nominal and may be revised without notice.*



## Submittal of materials and assemblies for the Data Center Pipe Chase Housing and Exit Seals

**Dimensions:** Housing: 18" x 60" x 24" tall **Part number: DH-186024**  
Curb: 16" x 58" x 18" tall **Part number: DH-165818**

**Materials:** Housing and curb are fabricated from .125" thick - 5052 grade aluminum  
Housing: All joints are welded and surfaced and to be considered weather-tight.  
Curb: Skip welded seams

**Finish:** Housing and lid have a 2 mil. thick, UV inhibited, powder coated finish  
Housing Color: Beige is the standard color  
Curb: Non finished

**Gaskets:** Gaskets between the lid to housing and housing to curb connection points are factory applied  
Gasket material is a poly foam material approximately 1/8" thick.

**Fasteners:** Stainless steel fasteners are supplied by the factory for the lid to housing and housing to curb connections. The architect will determine and specify the best suited curb to roof deck fastener.

**Interior treatment:** Housing and curb are insulated with a 1" thick semi rigid batting material

**Design notes:** The lid will incorporate a 4" rain visor tilted at angle to screen rain from the pipe and line pathway  
The curb base will have a 4" flange with double rows of pre-drilled holes on 6" centers +/-

### Exit Seals

**Dimensions** All Exit Seals are designed fit into a 2.25" diameter hole drilled or punched into the vertical surfaces of the Pipe Chase Housing.

**Materials:** ABS resin with UV inhibitors added to the resin (not topically applied) is used for all injection molded parts of the Exit Seal. White is the only color available. (There will be slight color variations from one production run to the next).

**Gaskets:** 1/8" thick EPDM rubber compound is used for both the backing nut and cap gaskets

**Performance:** Sigrist Exit Seals® meet and or exceed Schedule 80 performance standards

**Sizes:** The Sigrist Exit Seal® body remains the same – there are 11 cap opening sizes available  
(1/4" up to 1 5/8" Dia. OD)

*Note: All dimensions provided are nominal and may be revised without notice.*