



SOFTPRO

PH NEUTRALIZER

CALCITE FILTER

INSTALLATION GUIDE



Please read this manual carefully before attempting installation

Read this manual thoroughly to become familiar with the device and its capabilities before installing or operating your water filter. Failure to follow instructions in this manual could result in personal injury or property damage. This manual will also help you to get the most out of your Filter.

- This system and its installation must comply with state and local regulations. Check with your local public works department for plumbing and sanitation codes. In the event the codes conflict with any content in this manual the local codes should be followed.

For installations in Massachusetts, Massachusetts Plumbing Code 248 CMR shall be adhered to. Consult your licensed plumber for installation of this system.

- This water filter is designed to operate on pressures of 30 psi to 125 psi. If the water pressure is higher than the maximum, use a pressure reducing valve in the water supply line to the Filter. However, we do not recommend pressure above 70 psi for the filter or residential plumbing, anything over 70 psi can cause damage to the seals on the filter valve and you're plumbing and fixtures.
- This unit can operate at temperatures between 40°F and 110°F (4°C - 43°C). Do not use this water filter on hot water supplies.
- Do not install this unit where it may be exposed to wet weather, direct sunlight, or temperatures outside of the range specified above unless you take precautions to protect it.
- Avoid pinched O-rings during installation by applying (provided with install kit) NSF certified lubricant to all seals.
- Filters are commonly exposed to high levels of iron, manganese, sulfur, and sediments. Damage to pistons, seals, and or spacers within the control valve are not covered in this warranty due to the harsh environment.
- It is recommended to regularly inspect and service the control valve on an annual basis. Cleaning and or replacement of piston, seals, and or spacers may be necessary depending on how harsh the conditions are. An Annual Maintenance kit (Part # 60010307) is available for this purpose.
- Do not use water that is microbiologically unsafe without adequate disinfection before or after this system.
- The manufacturer reserves the right to make product improvements which may deviate from the specifications and descriptions stated herein, without obligation to change previously manufactured products or to note the change.
- This publication is based on information available when approved for printing. Continuing design refinement could cause changes that may not be included in this publication.

Quality Water Treatment, Inc. reserves the right to change the specifications referred to in this literature at any time, without prior notice.

TABLE OF CONTENT

TABLE OF CONTENT	3
BEFORE INSTALLATION	4
COPPER PIPES - GROUNDING STRAPS:	4
DRAIN LINE INFORMATION	4
WATER PRESSURE INFORMATION	4
LOCATE WATER TREATMENT EQUIPMENT CORRECTLY	5
MANUAL WATER BYPASS	5
GENERAL INSTRUCTIONS	6
UNPACKING AND INSPECTING YOUR NEW SYSTEM	6
SHIPMENT FAQ	6
ITEMS INCLUDED	7
Parts box	7
GENERAL WATER FILTER TREATMENT SETUP	8
WELL WATER TREATMENT SETUP	8
METAL PIPE GROUNDING GENERAL INFORMATION	8
DRAIN CONNECTION GENERAL GUIDE	9
A) REPLACING AN EXISTING WATER FILTER	9
B) PRE-INSTALLED FILTER LOOP DRAINS	9
C) FLOOR DRAINS	10
D) WASHING MACHINE DRAIN	10
E) LAUNDRY TUB/ SINK	10
F) SANITARY SEWER LINE	10
NEW INSTALL PLUMBING GUIDE	11
A) NEW INSTALL WITH A PRE-PLUMBED WATER FILTER LOOP	11
B) NEW INSTALL WITH A WATER HEATER LOOP	12
C) NEW INSTALL BY RE-ROUTING A HOME'S WATER SUPPLY LINE	12
D) NEW INSTALL FOR PRIVATE WELL WATER	13
QUICK INSTALL OVERVIEW	14
1) ASSEMBLE THE NEW FILTER	14
A) Filter tank Assembly	14
B) Control Valve Installation	15
C) Bypass Valve Installation	16
2) PREPARE FOR THE INSTALLATION OF THE NEW WATER FILTER	17
3) REPLACING AN EXISTING WATER FILTER	18
4) CONNECT THE NEW WATER FILTER	19
5) INITIAL WATER FILTER START UP	20
PH NEUTRALIZER CALCITE FILTER PROGRAMMING	21
VALVE SETUP	21
SET DATE AND TIME/ REGEN.MODE	22
SET BACKWASH DURATION/ SET RINSE DURATION	23
SET REGEN REGEN DAYS SETTINGS	24
MANUALLY BACKWASH (REGEN) TO INITIALLY CLEAN THE FILTER MEDIA	24

BEFORE INSTALLATION

NOTICE: THIS PRODUCT HAS A LIMITED WARRANTY. BY INSTALLING AND OR USING THIS PRODUCT, YOU WAIVE CERTAIN LEGAL RIGHTS INCLUDING THE RIGHT TO SUE OR CLAIM COMPENSATION IN THE EVENT OF PROPERTY DAMAGE, INJURY, AND OR DEATH.

NOTE:

Do not remove or destroy the serial number. It must be referenced on request for warranty repair or replacement.

CAUTION!

Do not use where the water is microbiologically unsafe or with water of unknown quality without adequate disinfection before or after the unit. Applies to private well or surface water applications only.

All government codes and regulations governing the installation of these devices must be observed. Check your water hardness.

WARNING!

ELECTRICAL SHOCK HAZARD! UNPLUG THE UNIT BEFORE REMOVING THE COVER OR ACCESSING ANY INTERNAL CONTROL PARTS.

CAUTION!

The unit should be depressurized before installing or replacing media.

COPPER PIPES - GROUNDING STRAPS:

If the ground from the electrical panel or breaker box to the water meter or underground copper pipe is tied to the copper water lines and these lines are cut during installation of the Noryl bypass valve and/or poly pipe, an approved grounding strap must be used between the two lines that have been cut in order to maintain continuity.

The length of the grounding strap will depend upon the number of units being installed and/or the amount of copper pipe being replaced with plastic pipe.

In all cases where metal pipe was originally used and is later interrupted by poly pipe or the Noryl bypass valve or by physical separation, an approved ground clamp with no less than #6 copper conductor must be used for continuity, to maintain proper metallic pipe bonding.

CAUTION:

If the plumbing system is used as the ground leg of the electric supply, continuity should be maintained by installing ground straps around any non-conductive plastic piping used in installation. Check your local electrical code for the correct clamp.

DRAIN LINE INFORMATION

Waste connections or drain outlets shall be designed and constructed to provide for connection to the sanitary waste system through an air gap of 2 pipe diameters or 1 inch (22 mm) whichever is larger.

Never insert a drain line directly into a drain, sewer line, or trap. Always allow an air gap between the drain line and the wastewater to prevent the possibility of sewage being backsiphoned into the softener.

WATER PRESSURE INFORMATION

Applies to private well or surface water applications only. If a severe loss in water pressure is observed when the Softener unit is initially placed in service, the softener tank may have been laid on its side during transit. If this occurs, backwash the softener to "reclassify" the media.

Check Your Water Pressure and Pumping Rate - Two water system conditions must be checked carefully to avoid unsatisfactory operation or equipment damage:

- Minimum water pressure required at the Softener tank inlet is 30 psi.
- The pumping rate of your well pump must at least equal the required backwash flow rate of your model.

LOCATE WATER TREATMENT EQUIPMENT CORRECTLY

Select the location of your filter tank with care. Various conditions which contribute to proper location are as follows:

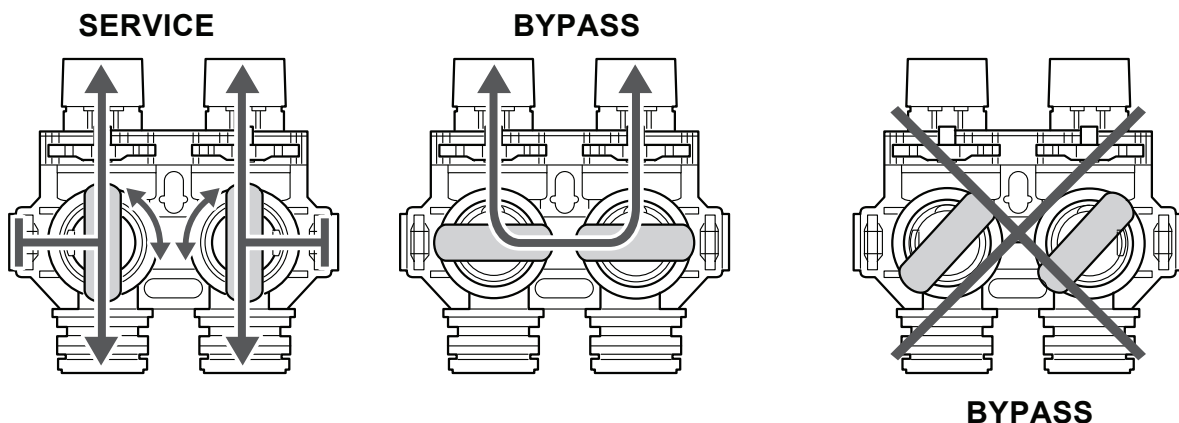
- Locate as close as possible to the water supply source.
- Locate as close as possible to a drain.
- Locate in the correct relationship to other water conditioning equipment.
- Filter should be located near the supply line before the water heater. Temperatures above 120°F damage filters.
- Do not install a filter in a location where freezing temperatures occur. Freezing may cause permanent damage to this type of equipment and will void the factory warranty.
- Allow sufficient space around the unit for easy servicing.
Plumb in a bypass for your treated water where your water source is a community water supply, a public water supply or if you wish to bypass water used for a geothermal heat pump, lawn sprinkling, out-buildings, or other high demand applications.
- Keep the filter out of direct sunlight. The sun's heat may soften and distort plastic parts.
- Determine the best location for your water filter. Factor in the location of water supply lines, drain line and 120-volt AC electrical outlet. Subjecting the Filter to freezing or temperatures above 43°C (110°F) will void the warranty.

MANUAL WATER BYPASS

In case of an emergency such as filter maintenance, you can isolate your water filter from the water supply using the bypass valve located at the back of the control. In normal operation the bypass is open with the ON/OFF knobs in line with the INLET and OUTLET pipes. To isolate the filter, simply rotate the knobs clockwise (indicated by the word BYPASS and arrow) until they lock.

You can use your water related fixtures and appliances as the water supply is bypassing the filter. However, the water you use will be hard. To resume treated service, open the bypass valve by rotating the knobs counterclockwise.

Please make sure bypass knobs are fully opened during service, otherwise the unsoftened water could bypass through the valve.



You are now ready to install your new water filter system.

GENERAL INSTRUCTIONS

Below are the installation instructions to get you up and running in no time. We highly recommend that you follow along in our simple installation videos.

Typical Install Times:

- 3 hours for a Handyman/ Plumber
- 4 hours for DIY

Tools Required:

- Flathead Screwdriver
- Phillips Head Screwdriver
- Tongue-and-Groove Pliers (i.e. Channellock)
- Adjustable Wrench
- Pipe Cutter or Hacksaw (as applicable)

Additional Parts (as applicable):

- Drain tubing: 1/2" ID vinyl tubing & 1/2" hose clamp (length to reach the drainpipe)
- Drainpipe connection and air gap fittings
- Inlet & outlet connection plumbing items
- Hose bibs and fittings (Optional, but recommended)

For Copper, PEX, and CPVC pipes (as applicable):

- Fittings (Optional Quick-connect Hose Kit, or other quick-connect fittings. i.e. SharkBite)

For Copper pipes (as applicable):

- Electrical grounding strapping, if this new install will cut/ separate any existing copper pipes.

For PVC Pipes (as applicable):

- PVC Primer & glue, Teflon tape, pipe and fittings
- Note: The optional Quick connect Hose kit does not work on PVC pipes.

UNPACKING AND INSPECTING YOUR NEW SYSTEM

Your new SoftPro water filter system will include the following items. Before starting, please check that you have all the items, and inspect for any possible damage that may have occurred during shipment. (Note: This new system may have multiple shipments.)

SHIPMENT FAQ

1. Is it OK if some items are delivered on its side or upside-down?

Yes, it is OK.

If your shipment, boxes, or other items are delivered to you on its side or upside-down, do not be alarmed. Our team takes additional precautions to ensure that your new system is properly protected. Simply turn the shipment or box rightside up and unpack it.

2. What if there is damage to the exterior of the shipment or boxes?

We got your back. If you find visual damage to the exterior of the boxes, take pictures of the boxes and/or video of the damage before unpacking them. Just because boxes are damaged does not mean the system is damaged, we make sure they are protected. So continue to unpack they system from boxes and inspect the system for damage.

3. After unpacking, what if there is damage to the valve, tank, or other equipment?

We got you. If you find visual damage to any of the parts, please take pictures and/or video of the damage. Then please immediately send us the images/ video, and we will get parts shipped to you.

4. After unpacking, what if there is a missing item?

Easy. If you are missing a part, please contact us to help get you set up properly.

Contact Support:

Web link: <https://qualitywatertreatment.com/support>

Email Address: Help@QualityWaterTreatment.com



ITEMS INCLUDED

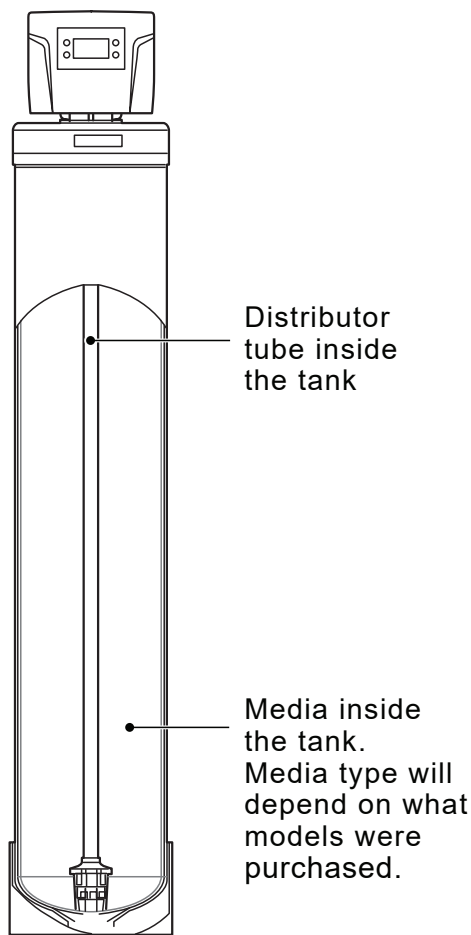
- 1) SoftPro Control Valve
(packed inside the brinetank)
- 2) Mineral Tank with Preloaded Media and
Preinstalled Distributor Tube
- 3) Diffusion Plate
- 4) Bypass Valve
- 5) 1" Connectors (qty. 2)
- 6) Funnel

NOTE:

Small parts are placed in the small parts bag inside the brine tank. Please keep in the bag until ready to install. (Let's not lose them....)

NOTE:

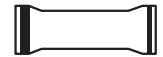
Media is pre-loaded in the filter tank.



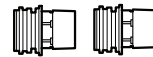
PARTS BOX



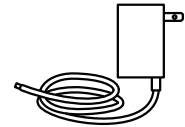
Bypass tool



Grease packet

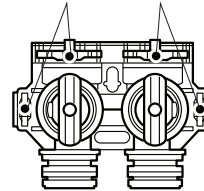


2x1" Straight adapter

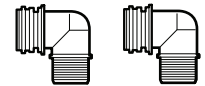


Power transformer

Bypass with 4 red clips



1x Funnel



2x1" Elbow adapter

2x Clips



i Using Additional Whole House Filters or Other Treatment Systems ?

If you have additional water treatment filters (i.e. whole house filter, iron filter or pH neutralizer), those systems should always be installed before the water softener.

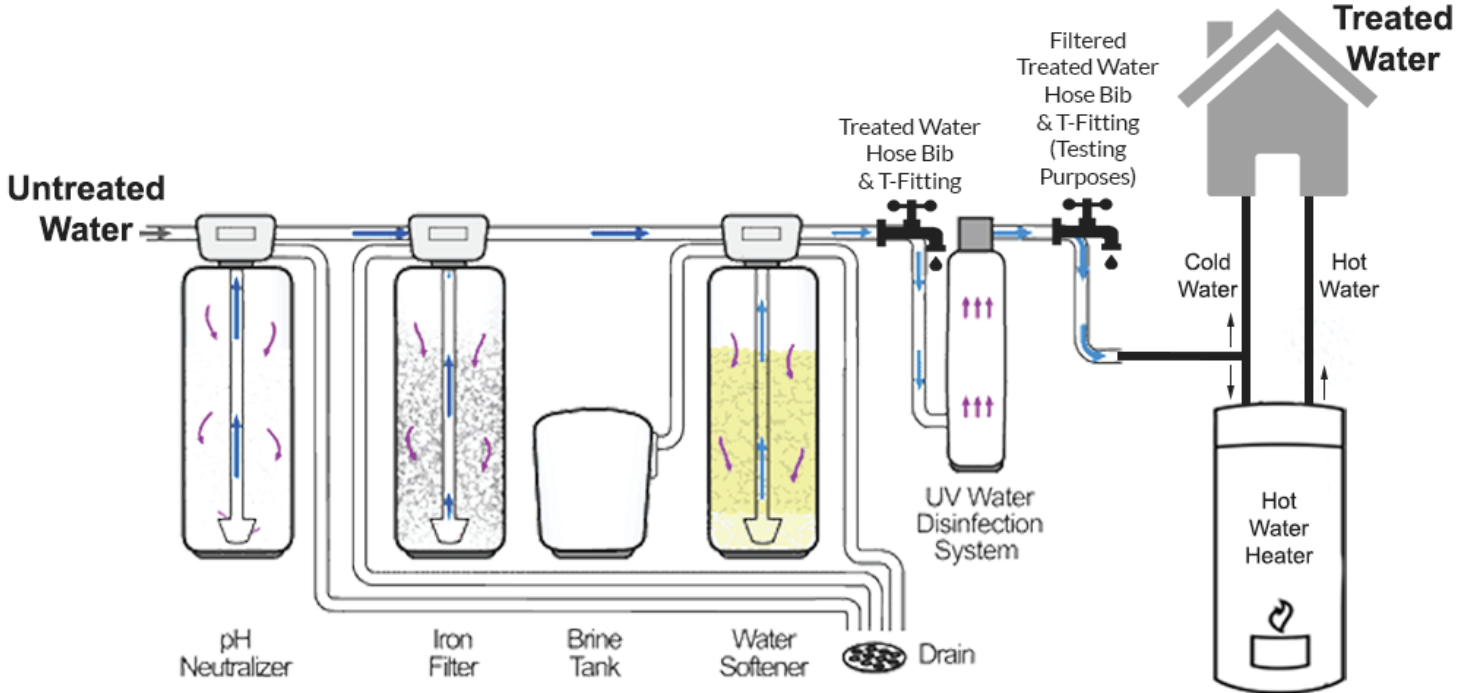
The water softener is the final treatment systems in your complete water treatment. (The exception is for a UV Disinfection System, which will be placed after the water filter.)

You are now ready to install your new water filter system.

GENERAL WATER FILTER TREATMENT SETUP

The following shows common setup.
These system setups include optional additional filter options.

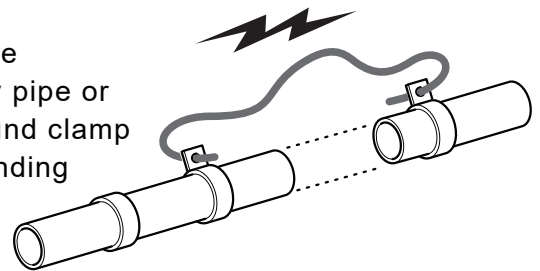
WELL WATER TREATMENT SETUP



METAL PIPE GROUNDING GENERAL INFORMATION

Do you have existing copper water pipes?

Prior to a new installation of the water filter, in all cases where metal pipe was originally used and is later interrupted by poly pipe or the bypass valve or by physical separation, an approved ground clamp with no less than #6 copper conductor must be used for grounding continuity, to maintain proper metallic pipe bonding.



Refer to your local building code.

CAUTION:

If the ground from the electrical panel or breaker box to the water meter or underground copper pipe is tied to the copper water lines and these lines are cut during installation of the Noryl bypass valve and/or poly pipe, an approved grounding strap must be used around the two lines that have been cut in order to maintain continuity. The length/ size of the grounding strap will depend upon the number of units being installed and/or the amount of copper pipe being replaced with plastic pipe.

DRAIN CONNECTION GENERAL GUIDE

NOTE:

Do not remove the pre-installed drain port hose barb fitting from the SoftPro control valve.

Refer to the appropriate drain type.

This guide is intended for as a general reference. Your specific installation may vary from this guide.

A. REPLACING AN EXISTING WATER FILTER

B. PRE-INSTALLED FILTER LOOP DRAINS

C. FLOOR DRAINS

D. WASHING MACHINE DRAIN

E. LAUNDRY TUB/ SINK

F. SANITARY SEWER LINE

NOTE:

Proper draining function may require an adequate air gap to prevent the possibility of wastewater being back-siphoned into the treatment system.

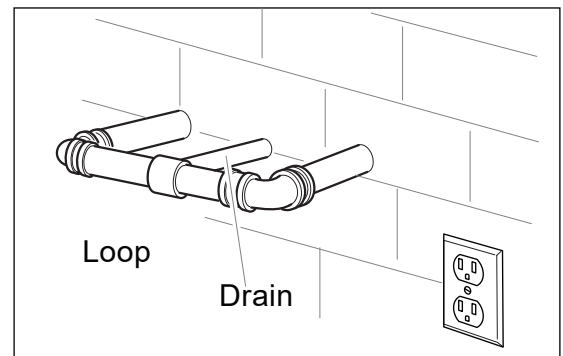
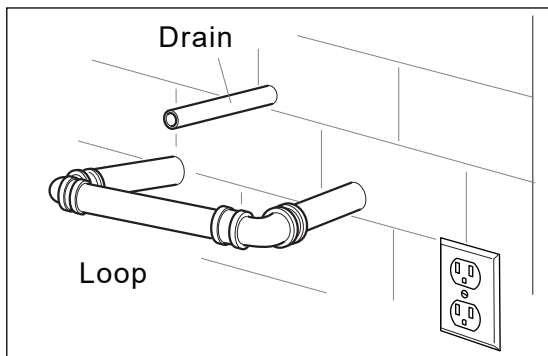
A) REPLACING AN EXISTING WATER FILTER

Reuse the existing drain line.

NOTE:

The end connection to the filter's control valve drain port hose barb fitting requires a 1/2 inch I.D. vinyl tubing. Use a hose clamp to secure the tubing to the drain port.

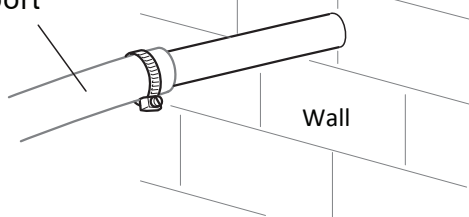
B) PRE-INSTALLED WATER SOFTENER/ tFILTER LOOP DRAINS:



Typically, a pre-installed filter loop will have two pipes connected out from the wall with a third pipe for the filter drainpipe (This drainpipe maybe capped separately or directly connected to the filter loop.)

Tubing from Softener valve Drain port

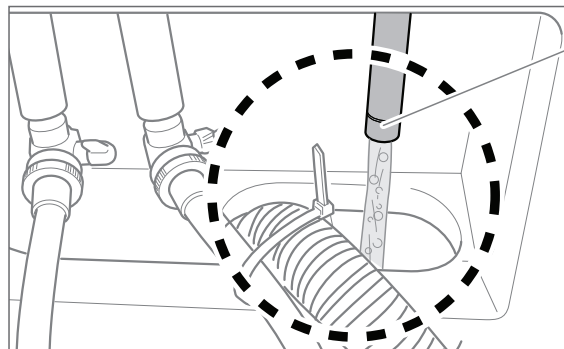
To Softener Loop Drainpipe port



If drainpipe is connected directly to the filter loop, this will also be cut to attach the filter drain tube directly. Use a hose clamp to secure the drain tube to the drain port and the drainpipe.

Note:

If the drainpipe is plumbed to a washing machine drainpipe, be sure to also unclog the drain line at the discharge side.

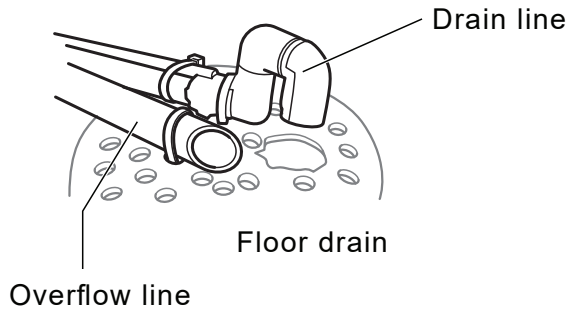


Remove drainpipe cap as needed.

DRAIN CONNECTION GENERAL GUIDE

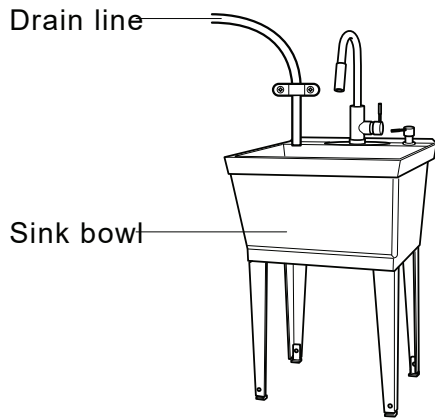
C) FLOOR DRAINS:

End the drain tube at the mouth of the floor drain.



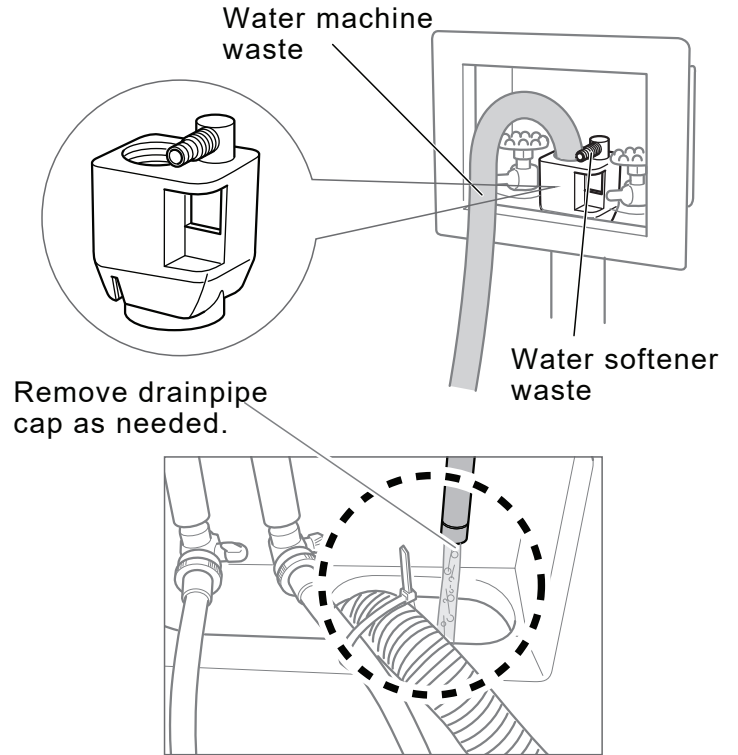
E) LAUNDRY TUB/ SINK:

Drain directly into the open sink bowl.



D) WASHING MACHINE DRAIN:

Install water filter drain lines with the washing machine line. You may opt to use an air gap kit (not included).



F) SANITARY SEWER LINE:

If draining to an existing closed sewer line, then install a P-trap with a riser. Make sure there is the appropriate air gap or use an air gap kit. See illustration below.

MINIMUM AIR GAP REQUIREMENT:

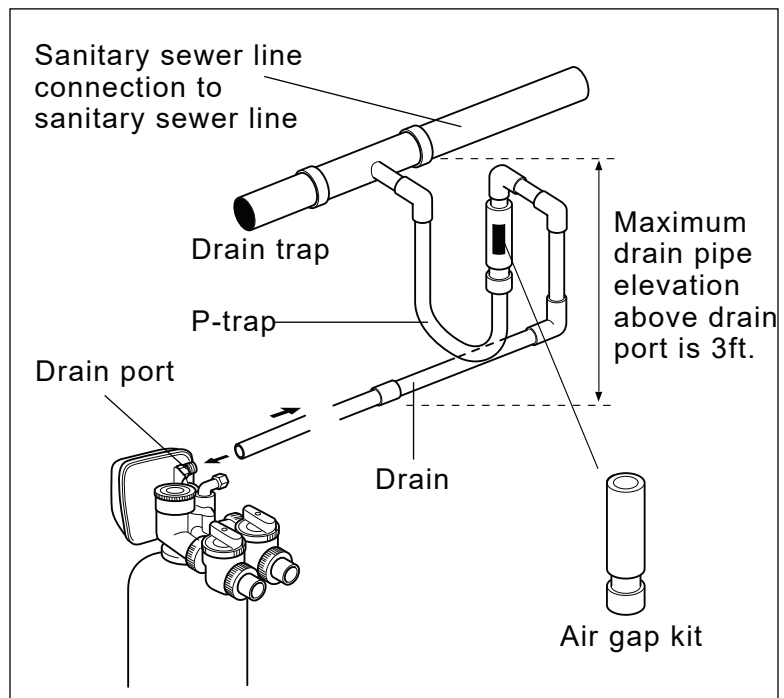
Waste connections or drain outlet shall be designed and constructed to provide for connection to the sanitary waste system through an air gap of a minimum of 2 times the drainpipe diameter, or 1 inch (22 mm) in diameter. Abide by whichever is larger. An air gap kit may be available.

NOTE:

Do not tee into any other existing drain line.

DRAINS LOCATED ABOVE THE FILTER CONTROL VALVE DRAIN PORT:

If the sewer line or drain is located over 3 feet above the drain port, please contact our support team for options.



NEW INSTALL PLUMBING GUIDE

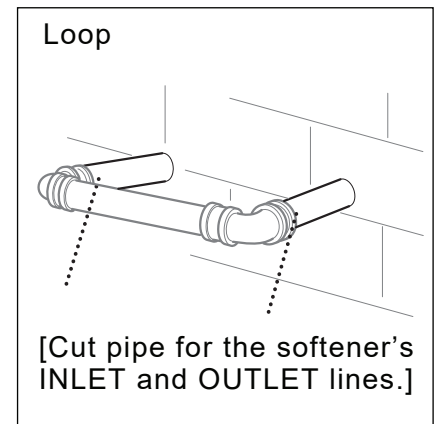
Refer to the appropriate new installation scenario.
This guide is intended as a general reference.
Your specific installation may vary from this guide.

CAUTION: CUTTING COPPER PIPES?
Install grounding straps prior to cutting.

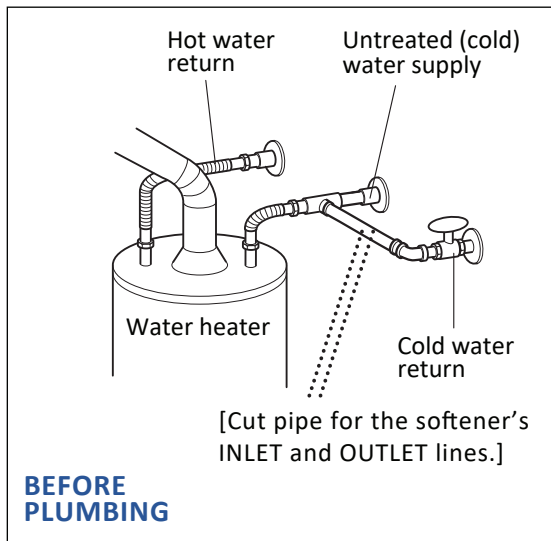
- A. NEW INSTALL WITH A PRE-PLUMBED WATER SOFTENER LOOP
- B. NEW INSTALL ON A WATER HEATER LOOP
- C. NEW INSTALL BY RE-ROUTING A HOME'S WATER SUPPLY LINE
- D. NEW INSTALL FOR PRIVATE WELL WATER

A) NEW INSTALL WITH A PRE-PLUMBED WATER SOFTENER LOOP

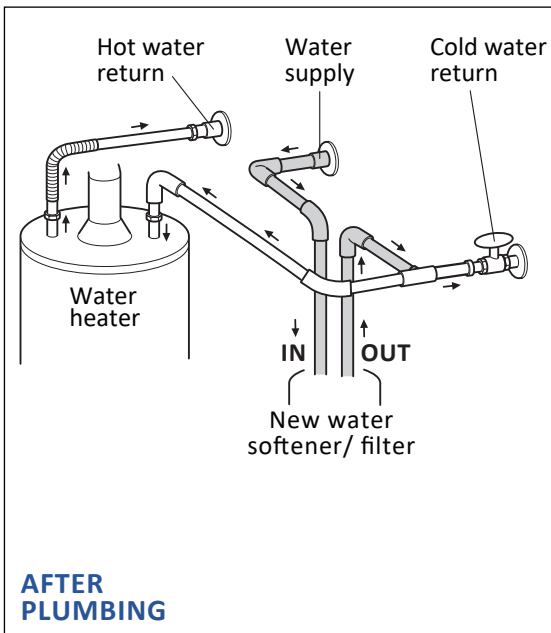
- 1) Switch-off the breaker to the hot water heater.
At the electrical control panel, temporarily switch off the power feeding the water heater unit.
- 2) Shut-off the water main.
- 3) Drain any existing water from both the cold and hot water pipes.
Simply, open all of the sink and bathtub faucets to empty the remaining water in the pipes. Drain completely.
TIP: In addition, you can also remove a shower head (since it is located high) to create a vacuum so pipes can drain better.
- 4) Cut the water line filter loop and cut/ unplug the appropriate drain line. Place a bucket to catch the water from the filter loop.
- 5) Identify and label the inlet (supply), and the outlet plumbing pipes.
 - To identify the inlet (supply pipe), very slightly, turn open the water main supply to identify which pipe is the water supply line.
The pipe with water flowing out (supply side), should be labelled: "**INLET**". Label the other pipe: "**OUTLET**".



B) NEW INSTALL WITH A WATER HEATER LOOP



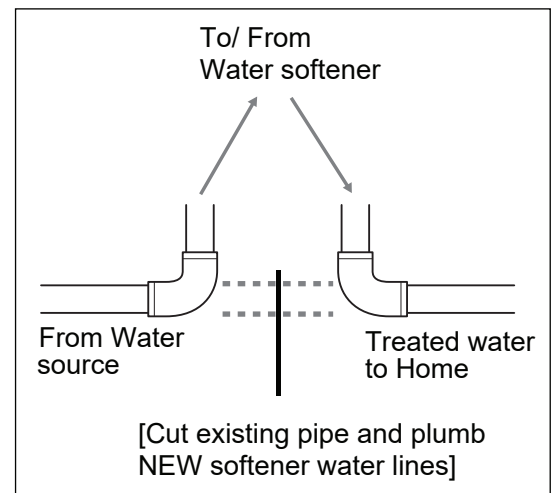
- 1) Check that untreated water supply return was plumbed. Refer to the illustration.
 - This untreated water line supplies the water heater and the home.
- 2) Turn off the water heater.
 - a) For electrical heaters: Switch-off the breaker to the hot water heater. At the electrical control panel, temporarily switch off the power feeding the water heater unit.
 - b) For gas heaters: Turn off the pilot light. (After installation, re-light the pilot light.)
- 3) Shut-off the water main.
- 4) Shut-off the water heater valve, if applicable.



- 5) Drain any existing water from both the cold and hot water pipes. Simply, open all of the sink and bathtub faucets to empty the remaining water in the pipes. Drain completely.
 - TIP: In addition, you can also remove a shower head (since it is located high) to create a vacuum so pipes can drain better.
- 6) Cut the untreated water line loop. Use a bucket to catch any water from the softener loop.
 - Cut the water line softener loop and cut/ unplug the appropriate drain line. Use a bucket to catch any water from the softener loop. (Use the appropriate cutting tool for the different types of pipes (copper, PVC, PEX, CPVC, etc.)
- 7) Identify and label the inlet (supply), and the outlet plumbing pipes.
 - To identify the inlet (supply pipe), very slightly, turn open the water main supply to identify which pipe is the water supply line. The pipe with water flowing out (supply side), should be labelled: "INLET". Label the other pipe: "OUTLET".
- 8) Plumb the new softener water lines to the water softener location. Refer to the illustration.

C) NEW INSTALL BY RE-ROUTING A HOME'S WATER SUPPLY LINE

- 1) Locate the main water supply line entering into the home.
- 2) Switch-off the breaker to the hot water heater. At the electrical control panel, temporarily switch off the power feeding the water heater unit.
- 3) Shut-off the water main.
- 4) Drain any existing water from both the cold and hot water pipes. Simply, open all of the sink and bathtub faucets to empty the remaining water in the pipes. Drain completely.
 - TIP: In addition, you can also remove a shower head (since it is located high) to create a vacuum so pipes can drain better.
- 5) Cut the water main to plumb in the softener/ filter loop. Use a bucket to catch any water from the water main.
- 6) Plumb the new filter water lines to the water softener/ filter location.
- 7) Identify and label the inlet (supply), and the outlet plumbing pipes.
 - To identify the inlet (supply pipe), very slightly, turn open the water main supply to identify which pipe is the water supply line. The pipe with water flowing out (supply side), should be labelled: "INLET". Label the other pipe: "OUTLET".



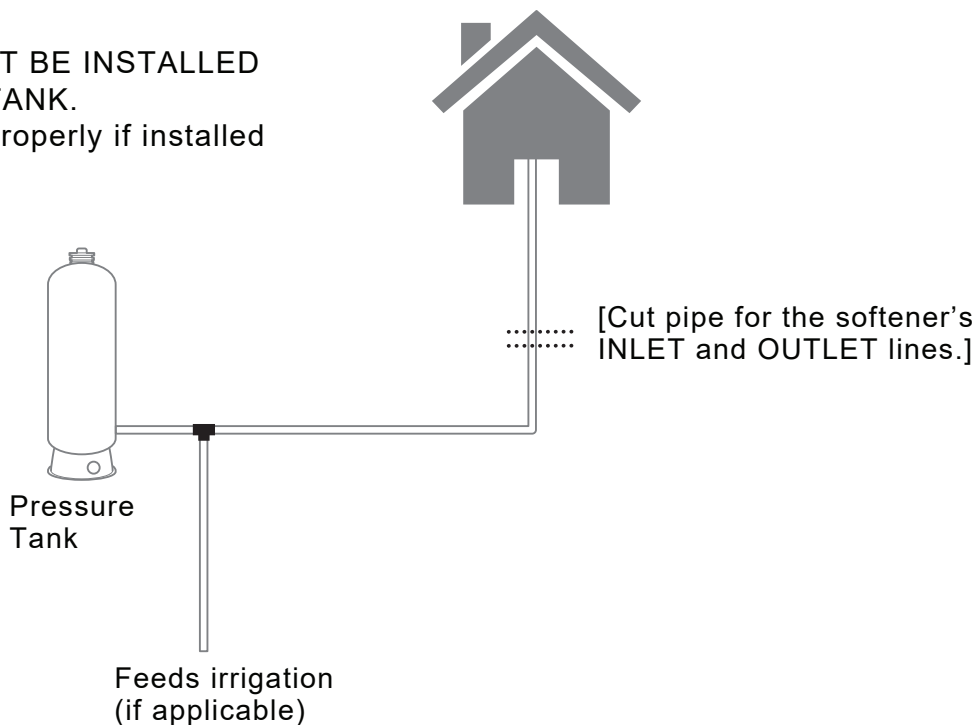
NEW INSTALL PLUMBING GUIDE

D) NEW INSTALL FOR PRIVATE WELL WATER

NOTE:

THE WATER FILTER MUST BE INSTALLED AFTER THE PRESSURE TANK.

The filter will not operate properly if installed before the pressure tank.



- 1) Shut-off the power off to the well pump.
- 2) Switch-off the breaker to the hot water heater. At the electrical control panel, temporarily switch off the power feeding the water heater unit.
- 3) Release the water pressure by opening a faucet to drain the pressure tank.
- 4) Drain any existing water from both the cold and hot water pipes.
 - Simply, open all of the sink and bathtub faucets to empty the remaining water in the pipes. Drain completely.
 - Tip: In addition, you can also remove a shower head (since it is located high) to create a vacuum so pipes can drain better.
- 5) Cut the water supply line after the pressure tank and after any following irrigation lines. Use a bucket to catch any water from the water main.
- 6) Plumb the new filter water lines to the water filter location.
- 7) Identify and label the inlet (supply), and the outlet plumbing pipes.
 - To identify the inlet (supply pipe), very slightly, turn open the water main supply to identify which pipe is the water supply line. The pipe with water flowing out (supply side), should be labelled: "INLET". Label the other pipe: "OUTLET".

QUICK INSTALL OVERVIEW

- ① **ASSEMBLE THE NEW FILTER** Assemble the filter tank.
- ② **PREPARE THE INSTALL AREA** Prepare the plumbing, drain and electrical connections.
- ③ **REMOVE THE EXISTING FILTER** If applicable. Skip this step if this is a new install.
- ④ **INSTALL THE NEW SOFTENER** Connect the plumbing.
- ⑤ **START-UP & PROGRAM THE NEW FILTER** Starting the new filter.

1) ASSEMBLE THE NEW WATER FILTER

Water Filter Assembly 3 Steps:

A) Filter Tank Assembly

B) Control Valve Installation

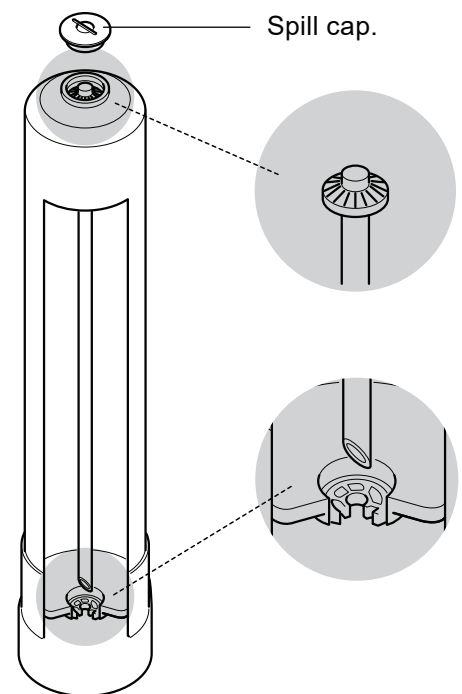
C) Bypass Valve Installation

A) FILTER TANK ASSEMBLY

NOTES:

• NOTE ON DELIVERED PACKAGE ORIENTATIONS:

- ① If applicable, install the neoprene jacket.
In some cases, the neoprene jacket will come pre-installed.
- ② Remove the spill cap from the top of the filter tank.
The system will come pre-loaded with filter media.
- ③ Load the gravel and media into the filter tank as follows:
 - a. Close off the top of the distributor riser tube (white pipe) with a cap or tape.
 - b. Insert a funnel into the top of the tank.
 - i. In some instances, a funnel is provided.
Otherwise, a funnel can be made from a milk jug, or cardboard.
 - c. First load the gravel into the tank. Note: Gravel must always be loaded first, before any filter media.
 - i. In some instances, gravel may come pre-loaded in the tank.
 - d. Then, load the calcite filter media through the funnel.
Use all of the provided media.
 - i. In some instances, two (2) types of filter media are provided (calcite media and Mag OX). These medias can be loaded in either order. Load all media that was provided.
 - e. Remove the cap or tape from the distributor riser tube.
 - f. Clean off the tank threads with water or a soft brush.



QUICK INSTALL OVERVIEW

B) CONTROL VALVE INSTALLATION

- ① Install the control valve to the filter tank as follows.
 - a. Place the top of the distribution tube (white pipe located in the tank) through the bottom center of the control valve. The diffusion plate should already be installed to the top of the distribution tube.
 - b. Then screw on the filter control valve assembly onto the tank.

• **HAND-TIGHTEN ONLY, DO NOT OVER-TIGHTEN.**

Note:

As you complete this installation step, the control valve will drop into a socket on the tank once the distribution tube clears the O-ring from the bottom of the control valve. You'll feel it drop and then just hand tighten.

HAND-TIGHTEN ONLY, DO NOT OVER-TIGHTEN.

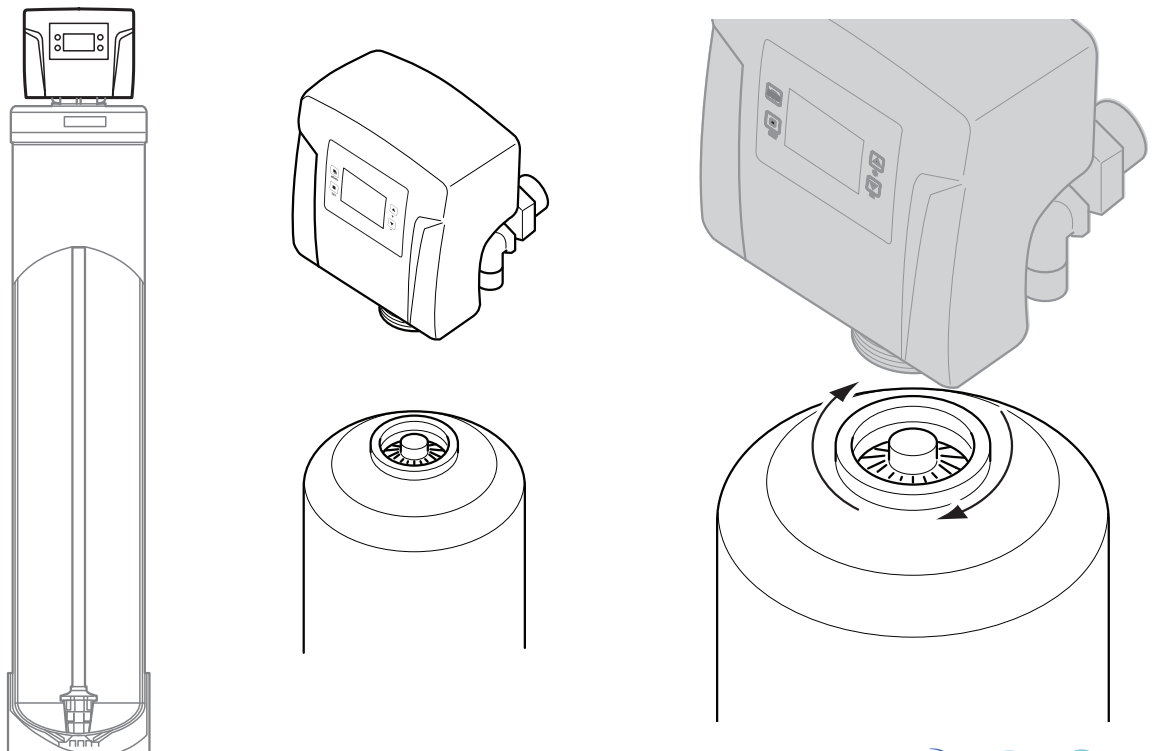
Do not force the screwing of the control valve. It should screw on very easily.

ATTENTION: DO NOT USE LUBRICANTS OR TEFLON TAPE.

The installed O-ring was previously lubricated with a non-petroleum-based lubricant. Never use Vaseline, WD-40, etc.

NOTE ON D-TUBE CENTERING:

It is acceptable and common that the distribution tube (the white PVC pipe) in the filter tank is not completely centered. This is acceptable, the control valve will pull it to the center as it is screwed onto the tank.

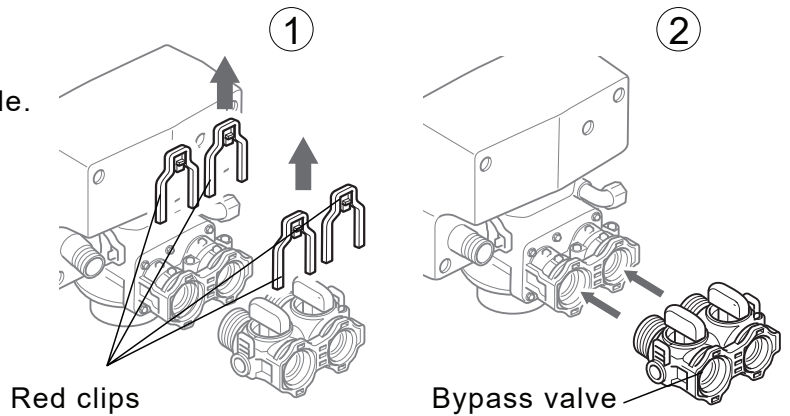


QUICK INSTALL OVERVIEW

C) BYPASS VALVE INSTALLATION

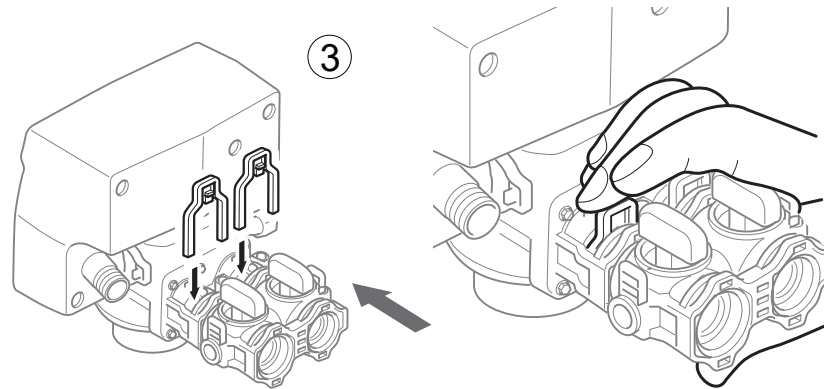
Once the filter control valve is installed, install the bypass valve into the back of the control valve.

- ① Pull out the four large red clips from the back of the bypass valve. Set the four red clips aside.
- ② Attach the bypass valve to the control valve. Push the corresponding side of the bypass into the back of the control valve until it is fully secured.
- ③ Replace the two red clips into the bypass valve to secure the attachment. Gently tug on the clips to make sure they are locked into place.



NOTE ON RE-INSTALLING THE CLIPS:

The red clips will only install if the bypass valve is completely secured. If the red clips are not able to be re-installed, the bypass valve is not properly pushed into the control valve. Push the bypass in further. If difficult getting the bypass valve to fully seal to the control valve, use the palm of your hand to “slap” it in, or use a mallet to softly tap it in. Gently tug on the clips to make sure they are locked into place.



- ④ Install the standard connection adapters to the bypass valve.

a) Standard connections:

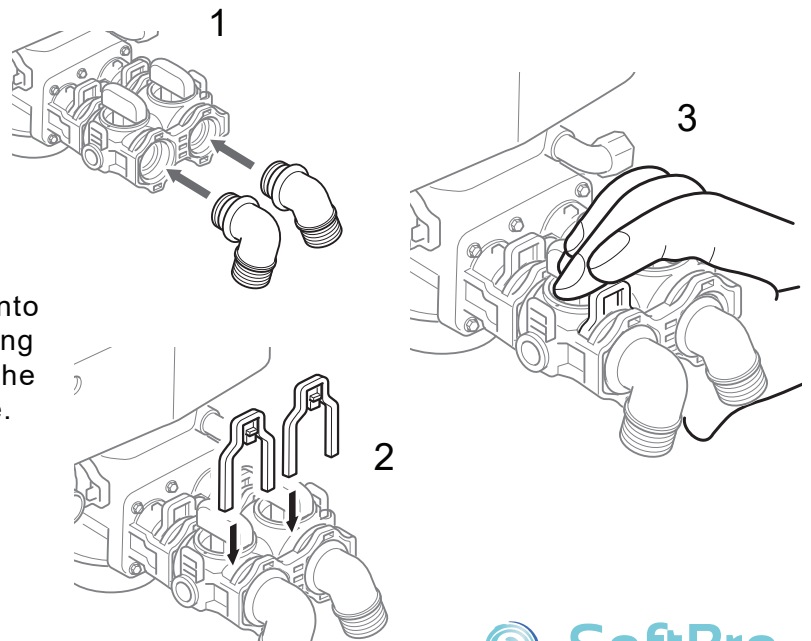
Wrap Teflon tape onto the thread of both elbow connection adaptors.

WARNING:

USE ONLY TEFLON TAPE ON THE ELBOW ADAPTORS.

Do not use pipe dope or plumbers' putty. This can damage the plastic fittings.

Then slide both elbow connection adapters into the bypass valve. Then re-install the remaining two red clips to lock in place. Gently tug on the clips to make sure they are locked into place.



- ⑤ Make sure that the bypass valve is set to the bypass position.

QUICK INSTALL OVERVIEW

2) PREPARE FOR THE INSTALLATION OF THE NEW WATER FILTER

i Using Additional Whole House Filters Or Other Treatment Systems?

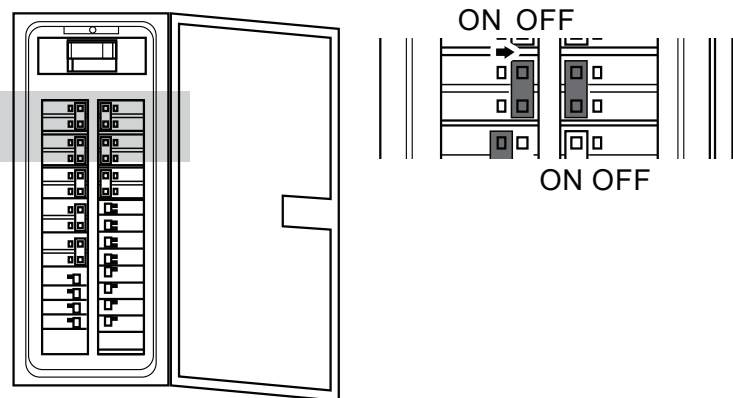
If you have additional water treatment filters (i.e. whole house filter, iron filter or pH neutralizer), those systems should always be installed before the water softener.

The water softener is the final treatment systems in your complete water treatment. (The exception is for a UV Disinfection System, which will be placed after the water filter.)

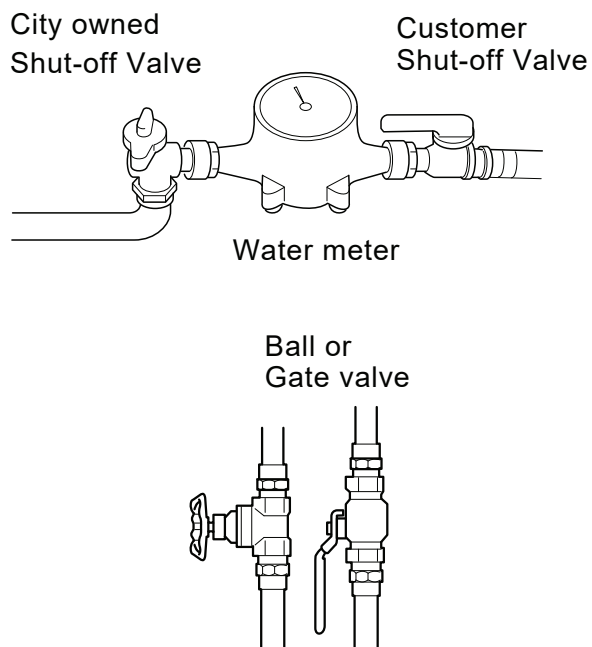
- ① Verify and clear the location of the new water filter system.
 - a. Clear and clean the areas.
 - b. Prepare the nearest electrical outlet and drain locations. Verify the drain type for connection and applicable parts to be required.
 - c. Prepare the filter's inlet and outlet water pipe connections.

- ② Switch-off the breaker to the hot water heater. At the electrical control panel, temporarily switch off the power feeding the water heater unit.

Main circuit breaker



- ③ Shut-off the main water supply.
 - Close the water main shut-off valve to the home. It is usually located in the front of the property.
 - Alternatively, if you have a shut-off valve as water enters home (usually a ball or gate valve in the front of the building), then you can opt shut-off the home water supply there.



- ④ Drain any existing water from both the cold and hot water pipes. Simply, open all of the sink and bathtub faucets to empty the remaining water in the pipes. Drain completely.

Helpful tip:

In addition, you can also remove a shower head (since it is located high) to create a vacuum so pipes can drain better.

- ⑤ Label the inlet (supply), and the outlet plumbing pipes. The pipe with water flowing into the filter control valve (supply side) should be labelled: "INLET".

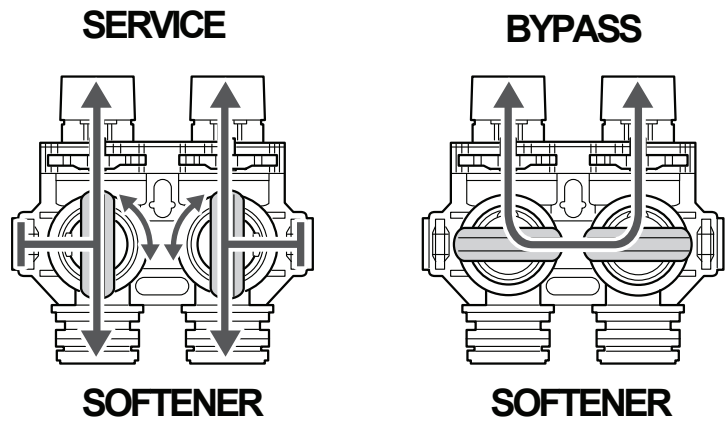
To identify the inlet (supply pipe), very slightly, turn open the water main supply to identify which pipe is the water supply line. The pipe with water flowing out (supply side), should be labelled: "INLET". Label the other pipe: "OUTLET".

QUICK INSTALL OVERVIEW

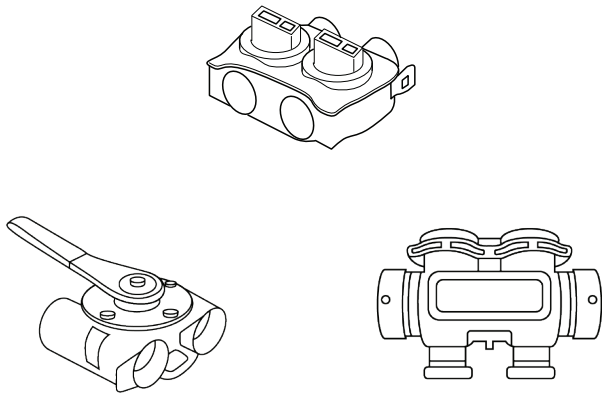
3) REPLACING AN EXISTING WATER FILTER

If applicable, the following guide is typical of how common water filters are removed. If you find that your existing setup is unconventional, please take pictures and videos to send to our support team to review.

- ① Set the existing filter bypass valve to the bypass position. When set to bypass mode, water will not enter into the filter tank.



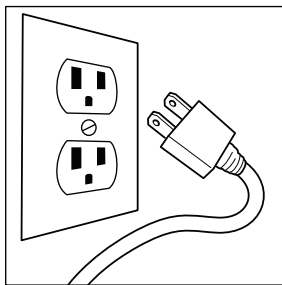
(Examples of some different types of bypass valves)



Bypass valve models may vary by manufacturer (examples below). The bypass valve is attached at the rear of the water filter control valve. It is where the pipe (copper, PEX, PVC, CPVC) connects to the water filter pipe.

If the bypass valve includes the inlet and outlet valves, then close both the inlet and outlet valves. If the bypass valve has one stem, close the plunger into the stem or pull handle as shown in the first image.

- ② Disconnect power supply.



- ③ Disconnect & remove the old filter tank.
 - a. Disconnect both the inlet and the outlet plumbing lines to the old filter. Use a bucket to capture any residual water in the pipes.
 - b. Disconnect the drain tube from the filter valve.
 - c. Remove the old filter from the area.

- ④ Clear and clean the area for the new water filter system.

Proper Disposal:
Please dispose of the old filter tank properly.

You are now ready to install your new water filter system.

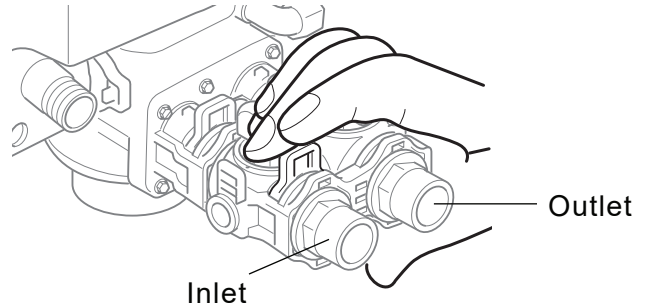
QUICK INSTALL OVERVIEW

4) CONNECT THE NEW WATER FILTER

- ① Position the water filter tank assembly in front of the plumbing.
- ② Connect the inlet (supply side) and outlet plumbing lines to the filter bypass valve.

a) Standard connection:

Connect the plumbing to the connection adapters. Match the corresponding inlet and outlet sides.



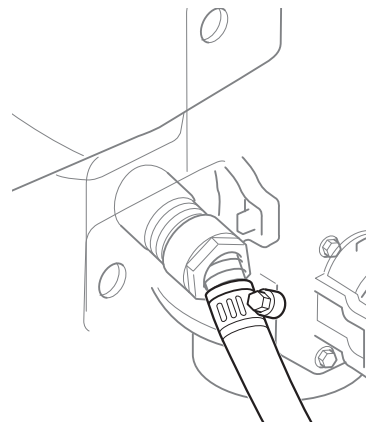
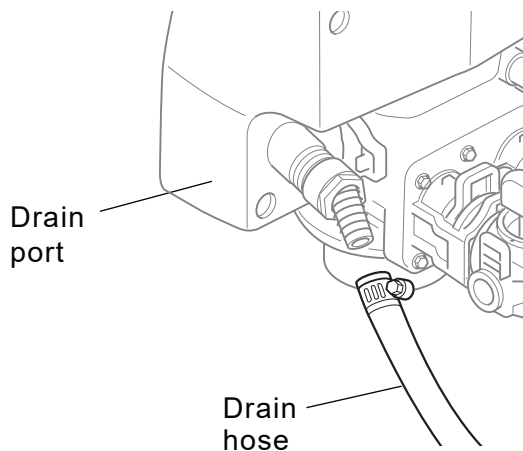
- ③ Connect the filter drain line tubing to the drain port.

NOTE:

Do not remove the pre-installed drain port hose barb fitting from the SoftPro control valve.

This houses a required flow restrictor and must be used.

- a) Attach a 1/2" ID drain tube onto the drain port adapter on the control valve. Secure using a hose clamp.
- b) Run the drain tube to the drain as appropriate.
 - a. Common drains include: existing filter drain, floor drain, laundry tub/ sink, sanitary sewer line and washing machine drain.



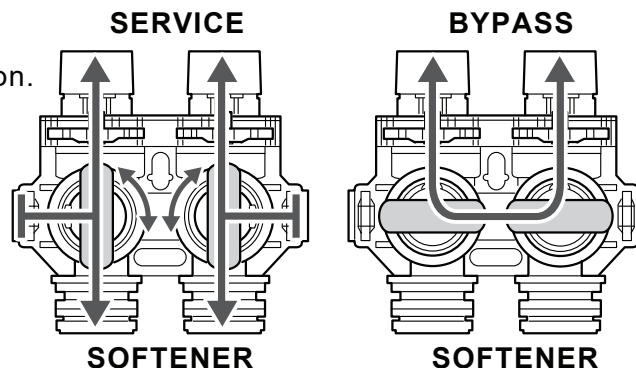
The filter system plumbing is now complete.

QUICK INSTALL OVERVIEW

5) INITIAL WATER FILTER START UP

- ① Turn the power back on.
 - a) Switch the water heater back on.
 - Restart the water heater pilot, as applicable.
 - Turn-on the well water pump, if applicable.
- ② Power up the filter control valve, plug into the power outlet.

- ③ Starting the water supply to the filter tank.
 - a) Verify that the bypass valve is in the bypass position.
 - b) Re-open the water main valve.
 - a. Re-open the water heater valve, if applicable.
 - c) **SLOWLY** turn open the INLET side of the filter bypass valve until the filter tank fills with water. Do not fully open the inlet valve (open to about a quarter of a turn).
 - a. Once the filter tank is full, the water will stop running.
 - b. Then fully open the inlet side of the bypass valve.



- d) SLOWLY turn open the OUTLET side of the filter bypass valve.

Bypass handles (red) may initially be stiff to turn.

You may opt to use the included Allen wrench as leverage to open the bypass valves. Simply insert the wrench into the top of each red handle and slowly turn open.

- ④ Initial cleaning of the filter mineral tank.
 - a) Open the nearest softened treated cold-water faucet or hose bib and run the water until it shows clear.
 - a. Periodically use a clear container to view the water clarity.
 - b) Let the water run until the water shows clear in the container. This is to bleed out the resin's color and air.
 - c) Once the water runs clear into the container, turn off the faucet or hose bib. Your new filter is ready and in service operation.

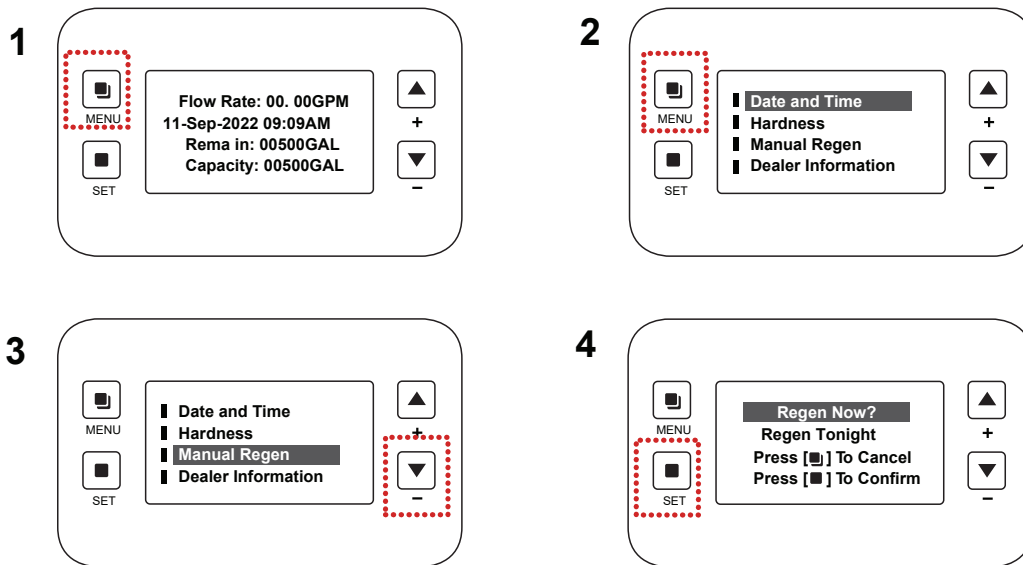
- ⑤ Complete the programming of your new control valve. Please refer to the following valve programming guide.

NOTE: The filter media should be initially backwashed. Initial manual backwash is programmed to is NOT required. Media has been previously pre-charged and ready for use.

PH NEUTRALIZER CALCITE FILTER PROGRAMMING

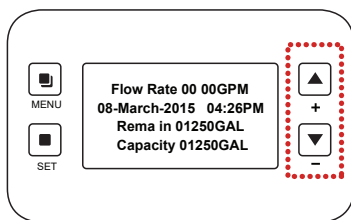
INITIATE THE PROGRAMMING SETTINGS

To start a manual regeneration, hold the **MENU** key till it beeps, then hit menu once so date and time highlights. Scroll down so manual regeneration is highlighted and hit set select Regen now, then hit Set.

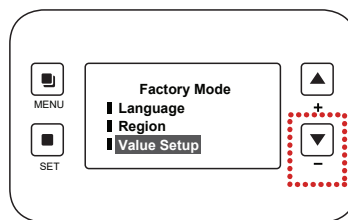


VALVE SETUP

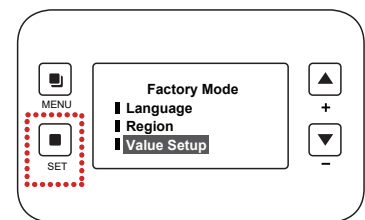
1 Press **UP** and **DOWN** arrow at the same time until system beeps.



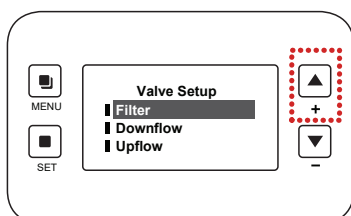
2 Press **DOWN** arrow to get **Valve Setup**.



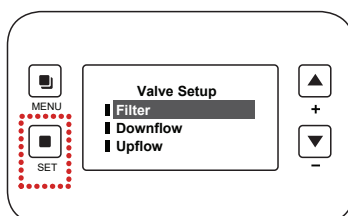
3 Press **Set** once Valve setup is highlighted.



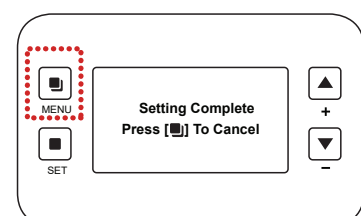
4 Press **UP** arrow to select **Filter**.



5 Press **SET** once Filter is highlighted.



6 Press **MENU** to return home screen

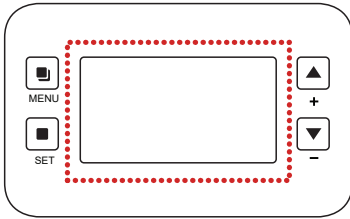


continue

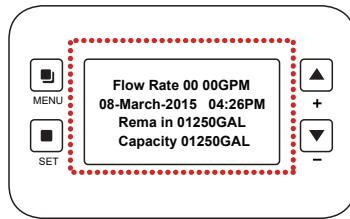
PH NEUTRALIZER CALCITE FILTER PROGRAMMING

SET DATE AND TIME

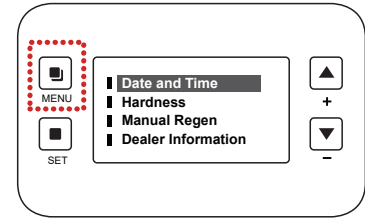
1 Press **MENU** once, screen may blank out.



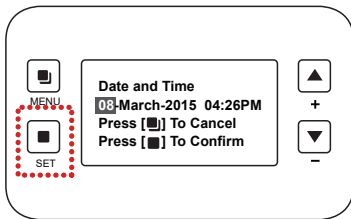
2 After few seconds, you get home screen.



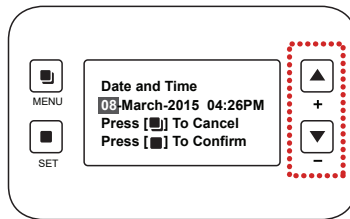
3 Press **MENU** to display Date and Time setting.



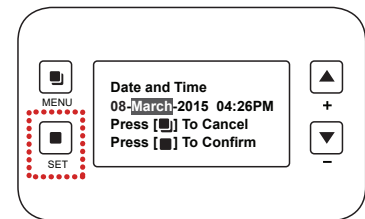
4 Press **SET** to enter Date and Time



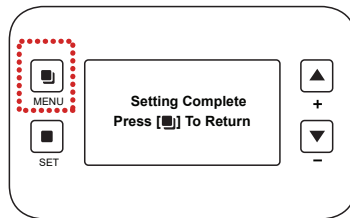
5 Use UP and DOWN arrows to select the appropriate Date, Month, Year and Time



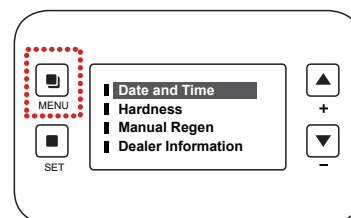
6 Press SET after each selection to move to the next field.



7 Once Date, Month, Year and Time is selected, press **SET** to complete the setting

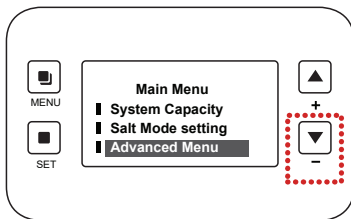


8 Press **MENU** to return to the home screen.

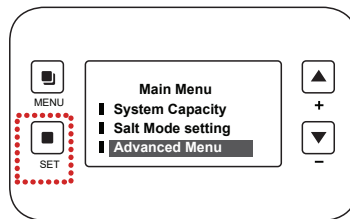


SET REGEN. MODE

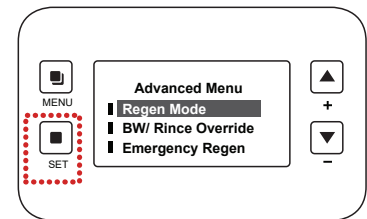
1 Press **DOWN** arrow until you get **Advanced Menu**.



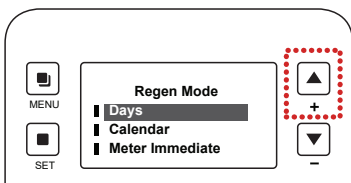
2 Press **SET** until it beeps



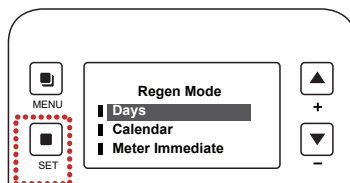
3 Press **SET** once Regen. Mode is highlighted



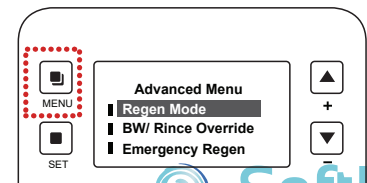
4 Press **UP** arrow until you get **Days**.



5 Once Days are highlighted, press **SET**.



6 Press **Menu** to return.

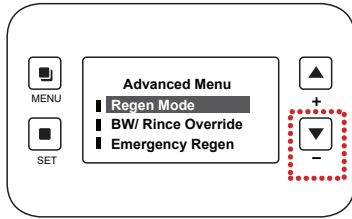


continue

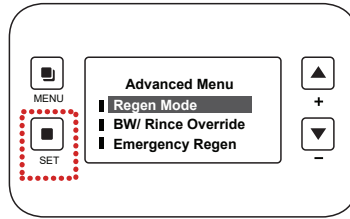
PH NEUTRALIZER CALCITE FILTER PROGRAMMING

SET BACKWASH DURATION

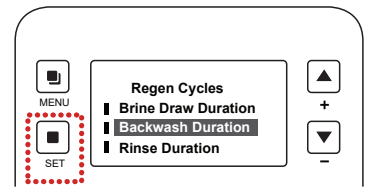
1 Press **DOWN** arrow until you get **Regen.Cycles**



2 Once **Regen. Cycles** is highlighted, press **SET**.

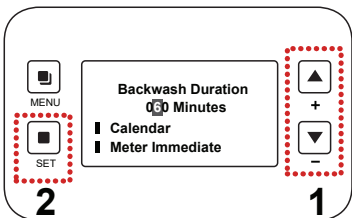


3 Press **SET** once Backwash Duration is highlighted.

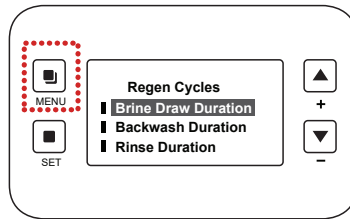


ATTENTION:
Make sure Backwash Duration is set to 10 minutes.

4 Use **UP** and **DOWN** arrow to set Backwash Duration to 10 minutes, then Press .

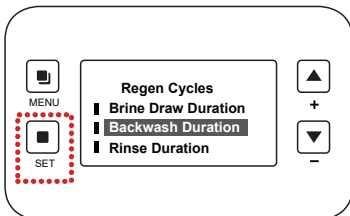


5 Press **Menu** to return.

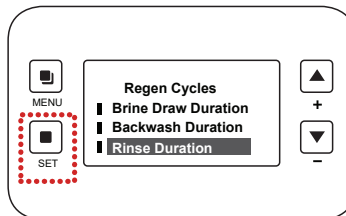


SET RINSE DURATION

1 Press **DOWN** to select Rinse Duration.

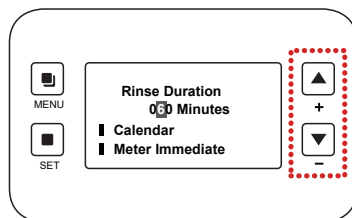


2 Press **SET** once Rinse Duration is highlighted.

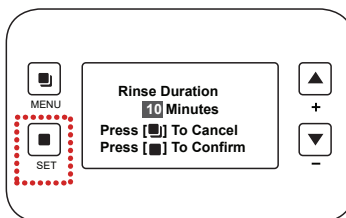


ATTENTION:
Make sure Rinse Duration is set to 10 minutes.

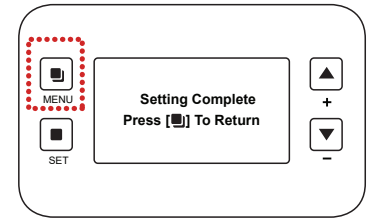
3 Use **UP** and **DOWN** arrow to set Rinse Duration to 10 minutes, then Press **SET**.



4 Press **SET** once Rinse Duration is set to 10 minutes.



5 Press **Menu** to return.

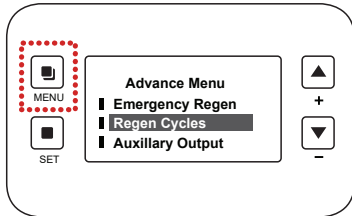


continue

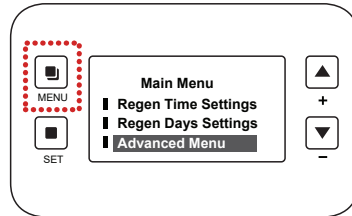
PH NEUTRALIZER CALCITE FILTER PROGRAMMING

REGEN. DAYS SETTING

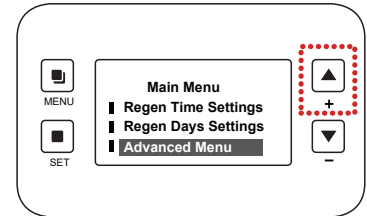
1 Press **MENU** to get Advanced Menu screen.



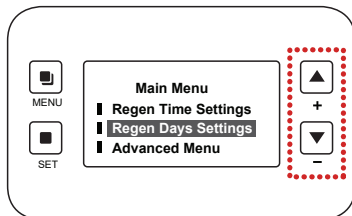
2 Press **MENU** one more time to get Main Menu screen.



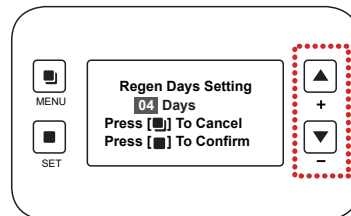
3 Press **UP** arrow to select Regen. Days Setting.



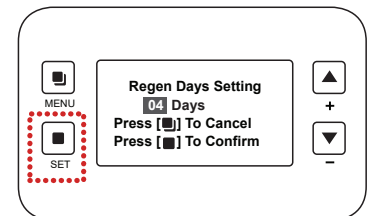
4 Press **SET** once Regen. Days Setting is highlighted.



5 Use **UP** and **DOWN** arrow to set Regen. Days to 4 days.



6 Press **SET** once Regen. Days are set to 4

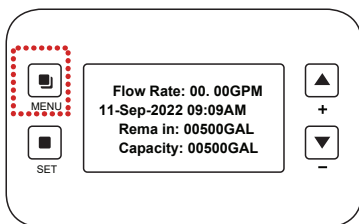


ATTENTION: Make sure Regen. Days is set to 4 Days.

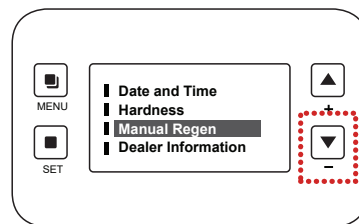
7 Press **MENU** multiple times to return to home screen.

MANUALLY BACKWASH (REGEN) TO INITIALLY CLEAN THE FILTER MEDIA

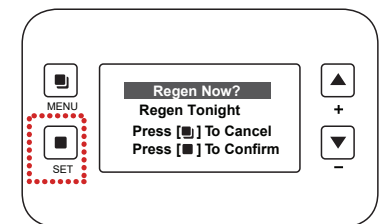
1 Press **UP** and **DOWN** arrow at the same time until system beeps to access the main menu.



2 Select option to **Manual Regen**.



3 Select option to confirm Regen. Now? System will start manual backwash.



Congratulations!

You have completed the installation of your new water filter system.

Contact Support:

Web link: <https://qualitywatertreatment.com/support>

Email Address: Help@QualityWaterTreatment.com

