

NRV Quick Set Up Manual

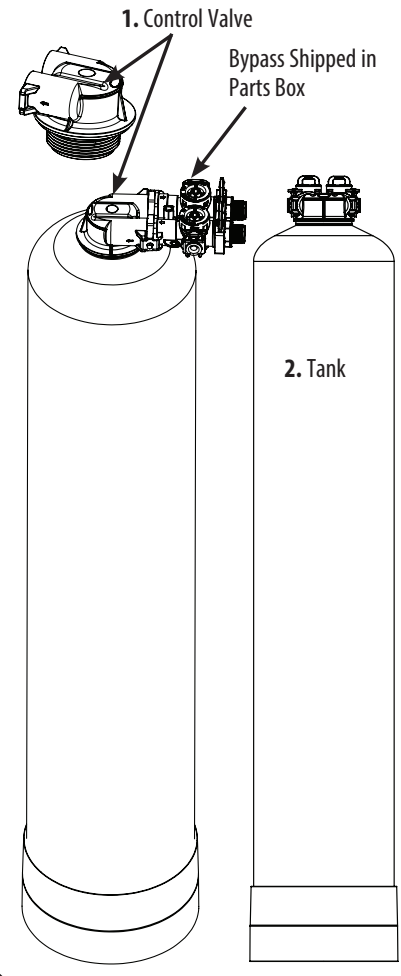
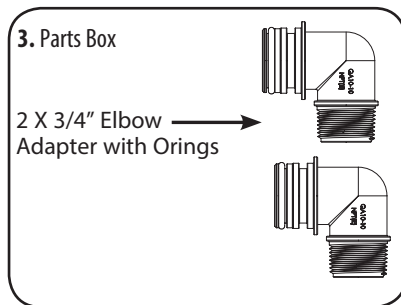
Inspection

Be sure to check the entire unit for any shipping damage or parts loss. Also note damage to the shipping cartons. Contact the transportation company for all damage and loss claims. The manufacturer is not responsible for damages in transit.

Small parts, needed to install the filter, are in a parts box. To avoid loss of the small parts, keep them in the parts bag until you are ready to use them.

What is included in the box?

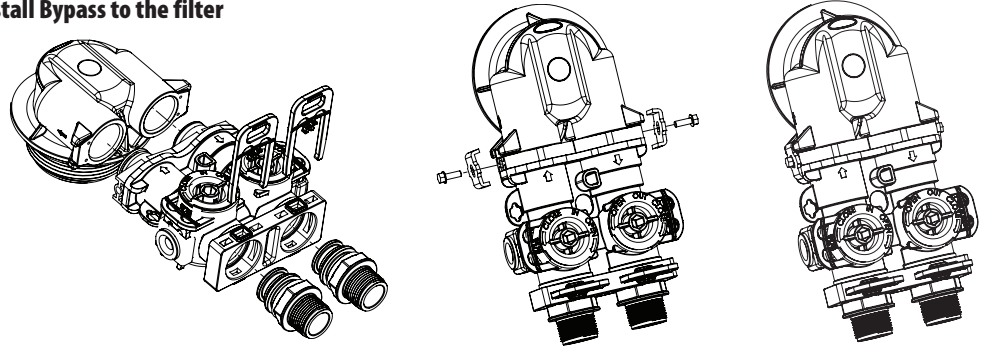
1. Control Valve
2. Tank
3. Parts Box



Where To Install The Filter

- ❑ Place the filter tank as close as possible to the pressure tank (well system) or water meter (city water).
- ❑ Connect the filter to the main water supply pipe **BEFORE** the water heater. **DO NOT RUN HOT WATER THROUGH THE FILTER.** Temperature of water passing through the filter must be less than 100 deg. F
- ❑ Do not install the filter in a place where it could freeze. **Damage caused by freezing is not covered by the warranty.**
- ❑ Put the filter in a place water damage is least likely to occur if a leak develops. The manufacturer will not repair or pay for water damage.
- ❑ If installing in an outside location, you must take the steps necessary to assure the filter, installation plumbing, wiring, etc., are as well protected from the elements, contamination, vandalism, etc., as when installed indoors.
- ❑ **Keep the filter out of direct sunlight.** The sun's heat may soften and distort plastic parts.

Install Bypass to the filter

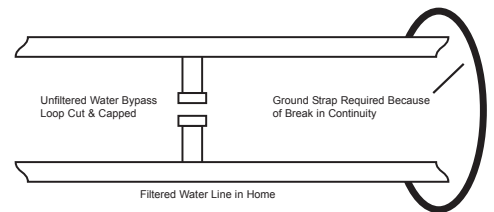


Installation Instructions

1. If your hot water tank is electric, turn off the power to it to avoid damage to the element in the tank.
2. If you have a private well, turn the power off to the pump and then shut off the main water shut off valve. If you have municipal water, simply shut off the main valve. Go to the faucet, (preferably on the lowest floor of the house) turn on the cold water until all pressure is relieved and the flow of water stops.
3. Connect the inlet and outlet of the filter using appropriate fittings. Perform all plumbing according to local plumbing codes.

ON COPPER PLUMBING SYSTEMS BE SURE TO INSTALL A GROUNDING WIRE BETWEEN THE INLET AND OUTLET PIPING TO MAINTAIN GROUNDING.

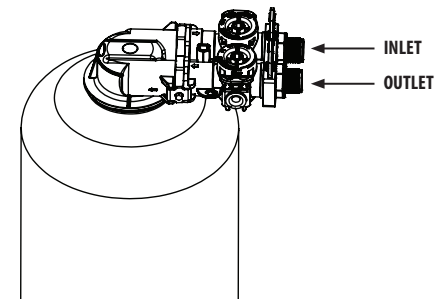
The Inlet and Outlet should be as per below illustration. This will ensure that water will flow through the filter under upflow configuration. Any solder joints near the valve must be done before connecting any piping to the valve. Always leave at least 6" (152 mm) between the valve and joints when soldering pipes that are connected to the valve. Failure to do this could cause damage to the valve.



4. Using the Allen Key (included), place the unit in the bypass position. Slowly turn on the main water supply. At the nearest cold treated water tap nearby remove the faucet screen, open the faucet and let water run a few minutes or until the system is free of any air or foreign material resulting from the plumbing work.
5. Make sure there are no leaks in the plumbing system before proceeding. Close the water tap when water runs clean.
6. Proceed to start up instructions. **Note: The unit is not ready for service until you complete the start-up instructions. Note: Carbon filters only:** Once the unit has filled sufficiently that water is at least equal to the height of the media shut down the water for 15 – 20 minutes for the carbon to soak. After the carbon has soaked for the recommended time continue with installation instructions.

Additional information for Non backwashing carbon filter.

After soaking, remove the aerator screen from the nearest faucet, run water at this faucet until all fines (black) is gone from the water.



Follow the Instruction Manual to Complete the Installation of the Product