

Zero sequence current transformer

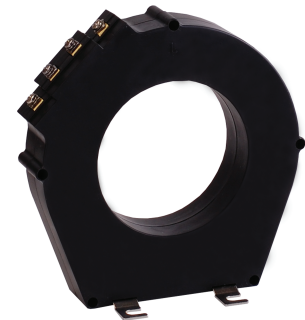


Model: ZCT120

Characteristic: Sub-plate mount、Crimping terminal output、
With test terminal, Used for leakage current protection
and zero sequence current detection.

Technical index:

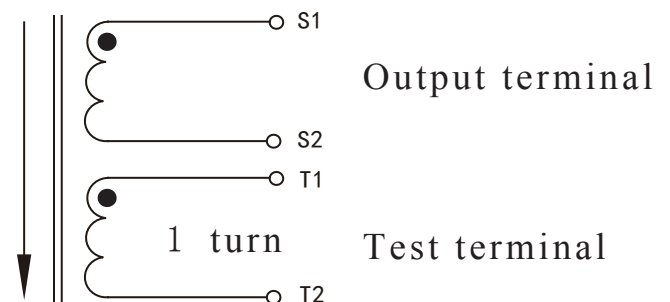
- Core material: permalloy
- Flame resistance: UL94-Vo
- Complaint with: GB1208-2006
- Working temperature: $-20^{\circ}\text{C} \sim +70^{\circ}\text{C}$
- Storage temperature: $-30^{\circ}\text{C} \sim +90^{\circ}\text{C}$
- Work frequency: 20Hz-20KHz
- Dielectric strength: 3.5KV 50Hz 1min



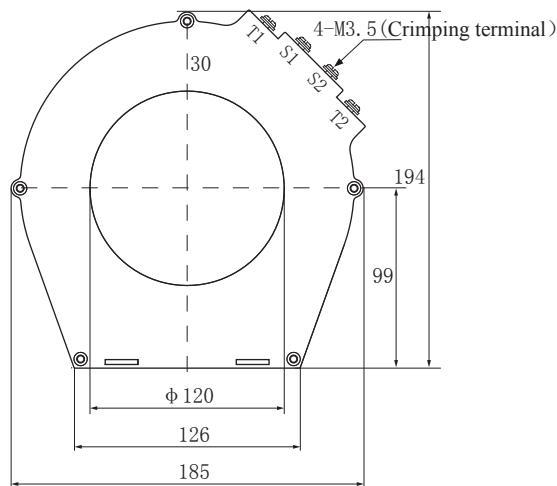
Electrical Index:

Primary rated test current	200	mA
Secondary rated output current	1.5	mA
Turn ratios	1: 133	
Accuracy	10	%
Sampling resistance	100	Ω
weight		g

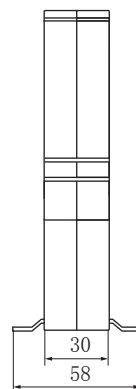
Wiring schematic diagram:



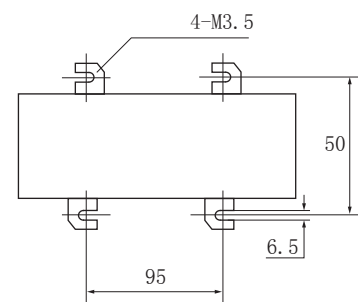
Dimension(in mm):



Front view



Side view



Bottom view