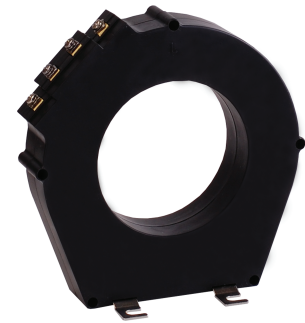


Zero sequence current transformer



Model: ZCT080-A

Characteristic: Sub-plate mount、Crimping terminal output、
With test terminal, Used for leakage current protection
and zero sequence current detection.



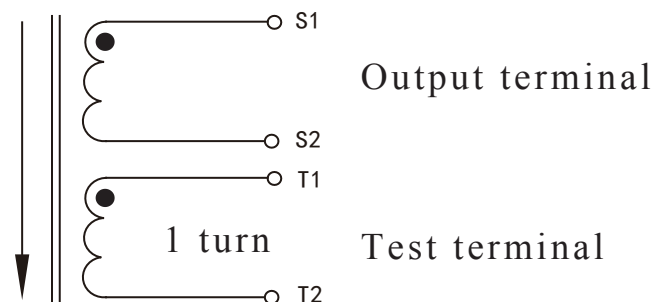
Technical index:

- Core material: Nanocrystalline
- Flame resistance: UL94-Vo
- Complaint with: GB1208-2006
- Working temperature: $-20^{\circ}\text{C} \sim +70^{\circ}\text{C}$
- Storage temperature: $-30^{\circ}\text{C} \sim +90^{\circ}\text{C}$
- Work frequency: 20Hz-20KHz
- Dielectric strength: 3.5KV 50Hz 1min

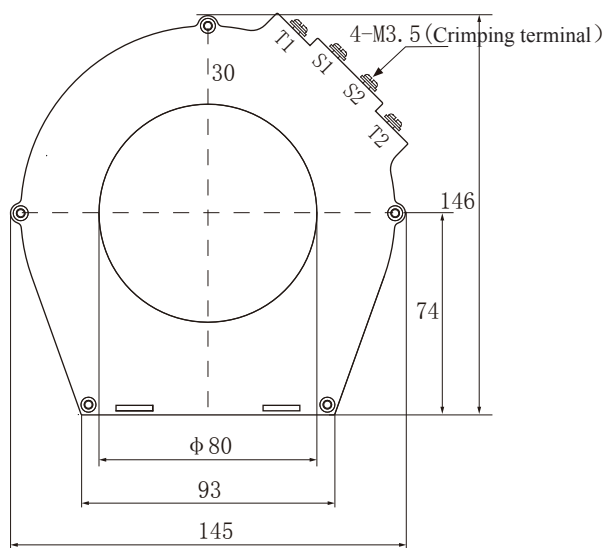
Electrical Index:

Primary rated test current	1000	mA
Secondary rated output current	0.5	mA
Turn ratios	1: 2000	
Rated continuous thermal current	2000	mA
Accuracy	1	%
Sampling resistance	<1K	Ω
weight		g

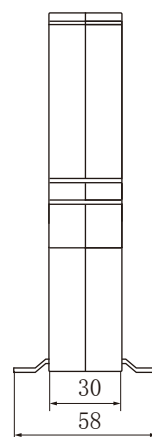
Wiring schematic diagram:



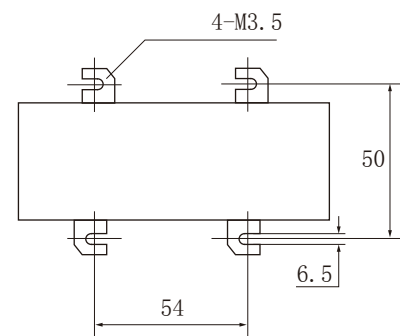
Dimension(in mm):



Front view



Side view



Bottom view