

Detected AC current, high insulation between primary and secondary circuits.

Product features

- Light weight
- Low power consumption
- No insertion loss
- Fast response time
- Small size, beautiful appearance
- Suspension installation, easy to use

Product application

- Metallurgy
- Welding machine
- Robot
- Inverter power supply
- Frequency conversion governor
- UPS uninterruptible power supply

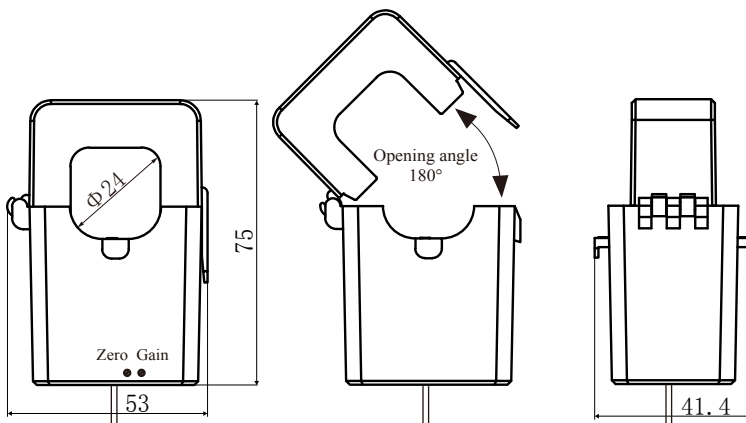


Electrical parameters: The following parameters are typical values. The actual values shall be subject to the actual measurement of the product

Rated Input	100A	150A	200A	250A	300A
Input measuring range	120A	180A	240A	300A	360A
Rated output	0-20mA/4-20mA/0-5V/1-5V/0-10V				
Accuracy	0.5%				
Linearity	0.5%				
Supply voltage ±5%	+12V/+24V				
Current consumption	≤ 35mA				
Load impedance	Current type output: 250Ω (typical)		Voltage type output: ≥10KΩ (typical)		
Zero offset voltage	Current type output: ±0.08mA		Voltage type output: ±15mV		
Response time	≤ 200ms				
Weight	201g				
Operating temperature	-10 ~ +70 °C				
Storage temperature	-25 ~ +70 °C				
Band width	50Hz ~ 400Hz				
Dielectric strength	2.5KV 50Hz 1min				

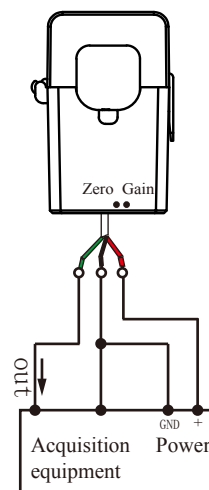
Note: Rated input current in 10A~100A are standard
0-10V output must select +24V power supply

Dimensions (unit mm±0.5) :



Product picture print for reference only, subject to the actual product

Wiring diagram:



Cable definition:

- Red: +V
- Black: GND
- Green: output

※① Select small ripple (≤20mV)

Auxiliary power supply for voltage regulation

② Turn on auxiliary power

③ The auxiliary power supply is connected to the transmitter

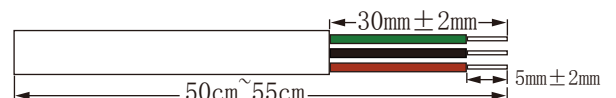
④ The transmitter detects primary current

Cable's specification/Color/Length:

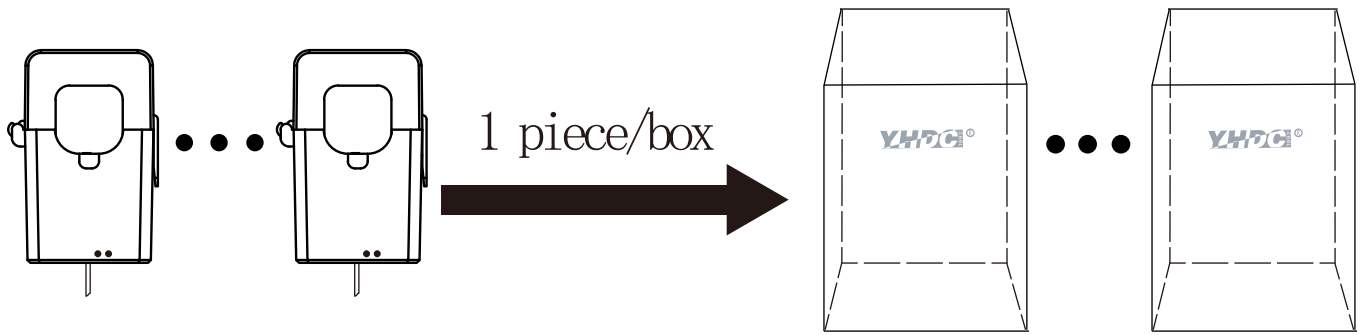
Specification of cable: 0.2mm² three core shielded wire

Length of cable: 50cm (50~55cm)

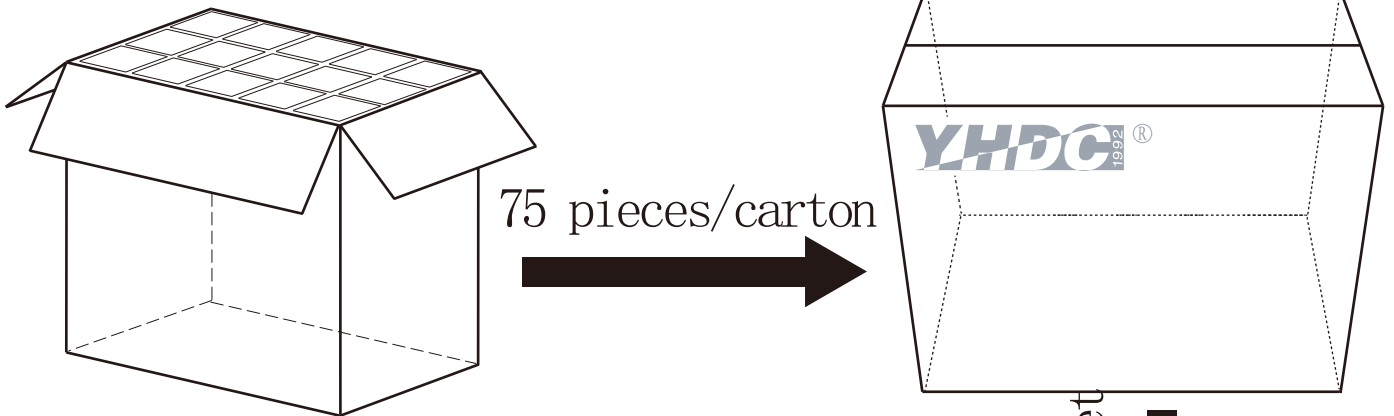
Color of cable: red/black/green



Package

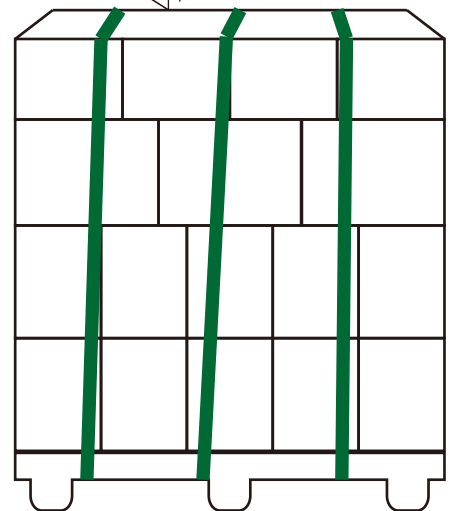


Put the product in the box



Put the boxes in the carton

44 cartons/pallet



Package	Each one	About 201g	1 pcs
	Each box	About 217g	1 pcs
	Each carton	About 16.7Kg	75 pcs
	Each pallet	About 746Kg	3300 pcs

Note: The above packaging (large volume) is for reference only, the actual packaging is subject to production and delivery.