

## Model: THA6209A

Square hole plug terminal output, sub-plate mounting type; The faulty wiring can lead to product damage, The output is linear with primary test current, and the output signal can be directly enter automatic control equipment or PLC port.

### Technical index:

Flame resistance: UL94-V0

Operating temperature:  $-10^{\circ}\text{C} \sim +70^{\circ}\text{C}$

Storage temperature:  $-40^{\circ}\text{C} \sim +85^{\circ}\text{C}$

Dielectric strength: 2.5KV 50Hz 1min

Overload capacity: 8 times 0.1S

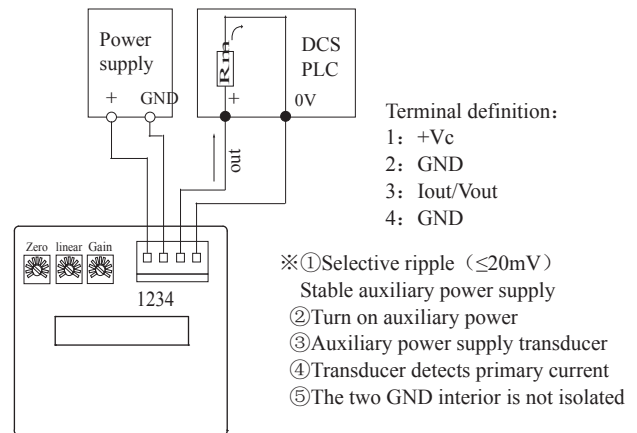
Waterproof level: IP00 (IP44 Terminal need to dispose)



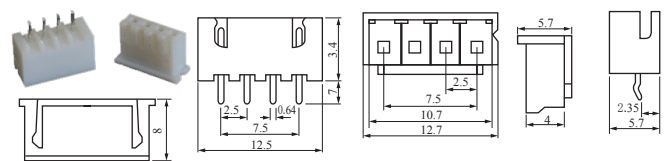
### Electric parameters:

Rated input	50~400	A
Input measure range	$I_p * 120\%$	A
Rated output	0-20; 4-20	mA
	0-5; 1-5; 0-10	V
Accuracy	0.5	1
Linearity	$\leq 0.5$	%
Supply voltage( $\pm 5\%$ )	+12、+24	V
Current consumption	$38 + I_o$	mA
Load capacity	10V/20mA	
Zero offset $T_A = 25^{\circ}\text{C}$	$\leq 0.1\text{mA}$ or $10\text{mV}$	
Response time	$< 350$	ms
Working frequency	50-400	Hz
Weight	130	g

### Schematic diagram:



### Connector schematic diagram:



Cold-press terminal quick-connect plug/socket, Distance 2.5, Pin size 0.5×0.5

### Dimensions (in mm):

