

AC Voltage Transmitter

Sub-plate mount, terminal output.

Detect AC voltage, high insulation between primary and secondary circuits.



Product features

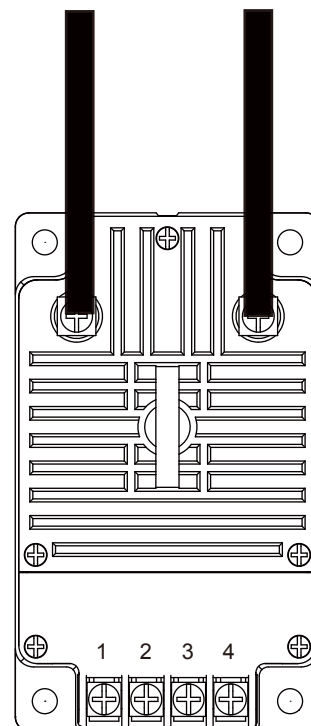
- Light weight
- Low power consumption
- Good linearity
- Easy to use
- Fast response time
- Good anti-interference ability

Product application

- Railway
- Metallurgical
- Welding machine
- Robot
- Motor
- Inverter power supply
- Variable frequency governor
- Uninterrupted power supply and communication power supply

Installation diagram

High side wiring terminal proposal seal after processing



Electrical parameters: (The following parameters are typical values and actual values will be subject to product testing)

Remarks

Rated input	500V	800V	1000V	1500V	2000V	Standard input
Input measurement range	600V	960V	1200V	1800V	2400V	Default is 1.2 times of the input rating
Rated output	0-20mA/4-20mA/0-5V/1-5V/0-10V					Output can choose one of five 0-10V output choose +24V power supply
Accuracy	1%					
Linearity	0.5%					
Supply voltage ($\pm 5\%$)	+12V / +24V					Choose one, supply voltage range $\pm 5\%$
Current consumption	$\leq 35\text{mA}$					Reference will be subject to the measured
Load impedance	Current type output: 250 Ω (Typification)		Voltage type output: $\geq 10\text{K}\Omega$			
Zero offset voltage	Current type output: $\pm 0.08\text{mA}$		Voltage type output: $\pm 15\text{mV}$			TA=25 $^{\circ}\text{C}$
Response time	$\leq 350\text{mS}$					Reference will be subject to the measured
Weight	600g					Reference will be subject to the measured
Operating temperature	-10 \sim +70 $^{\circ}\text{C}$					
Storage temperature	-25 \sim +70 $^{\circ}\text{C}$					
Band width	25Hz \sim 1KHz					
Dielectric strength	6KV 50Hz 1min					

Instruction for use:

1. Correct wiring as indicated
2. Full scale measurement, response time and following the speed for the best
3. Faulty wiring can lead to product damage and output uncertainty

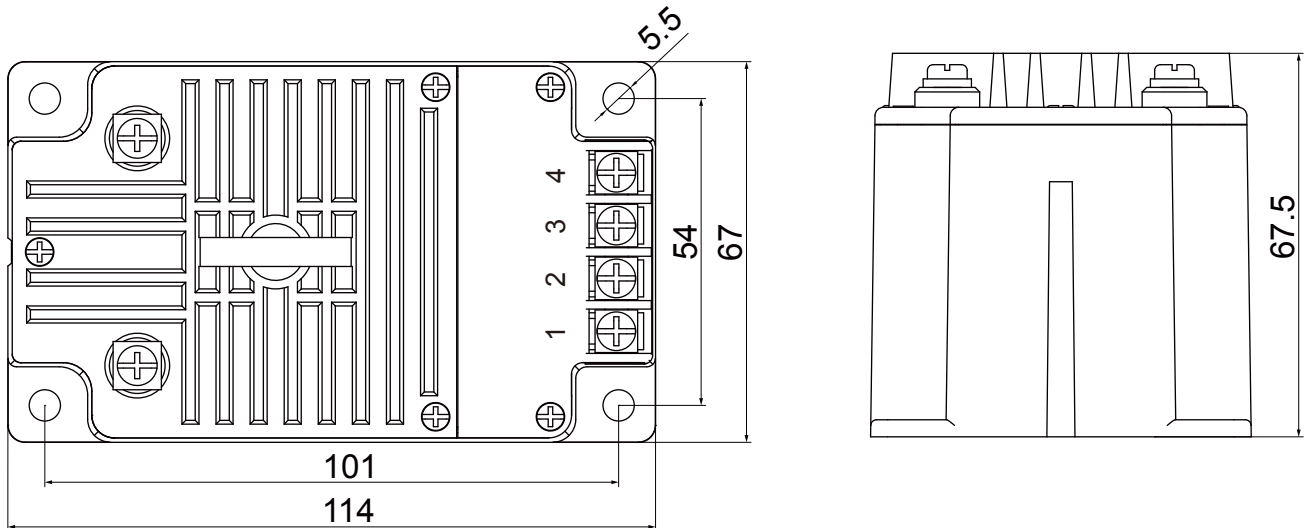
Safe operation:

- *Please read this specification carefully before use.
- *When you need to move the product, please be sure to disconnect the power and all the connected cables.
- *If found shell, devices attached to the fixed parts, wire, or have any damaged, please immediately deal with hidden dangers.
- *If there is any doubt about the safe operation of the equipment, the equipment and the corresponding accessories should be closed immediately, and the fastest time for troubleshooting.

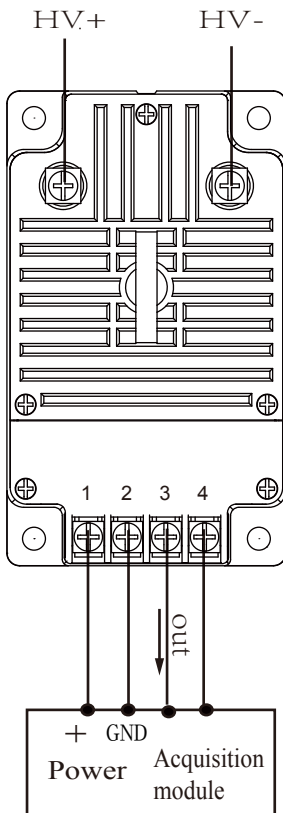
Proclamations:

As our products are constantly being improved and updated, we reserve the right to modify the content of this specification at any time without prior notice.

Dimensions(in mm±0.5) :



Wiring diagram:



Terminal definition :

- 1: +V
- 2: GND
- 3: Output
- 4: GND

-HT (Measured voltage)
 +HT (Measured voltage)

- ※①The auxiliary power supply with ripple small ($\leq 20\text{mV}$) is selected
- ②Switch on auxiliary power
- ③Auxiliary power is connected to the transmitter
- ④Transmitter detects the primary current
- ⑤Both GND internals are not isolated