

TAK17 Mini high frequency current transformer



Characteristics:

Used for high frequency pulse current detection and switching power supply circuit protection.

Technical index:

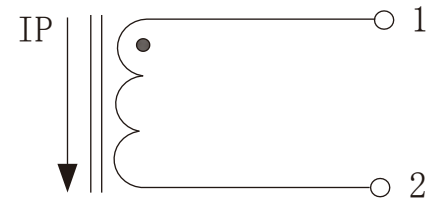
- Mounting type: PCB
- Material of core: Ferrite
- Flame resistance: UL94-V0
- Execution standard: GB1208-2006
- Operating temperature: $-20^{\circ}\text{C} \sim +70^{\circ}\text{C}$
- Storage temperature: $-30^{\circ}\text{C} \sim +80^{\circ}\text{C}$
- Frequency range: 2KHz-500KHz
- Dielectric strength: 3.5KV 50Hz 1min



Electrical parameters: (The following parameters are typical values and actual values will be subject to product testing)

Model	TAK17-005	TAK17-01	TAK17-02	TAK17-03	TAK17-04	TAK17-05	Unit
Rated input	10	24	35	48	35	50	A
Rated output	200	240	175	160	87.5	100	mA
Turns ratio	1:50	1:100	1:200	1:300	1:400	1:500	turn
Sampling resistance	Select according to the voltage value						Ω
Weight	16						g

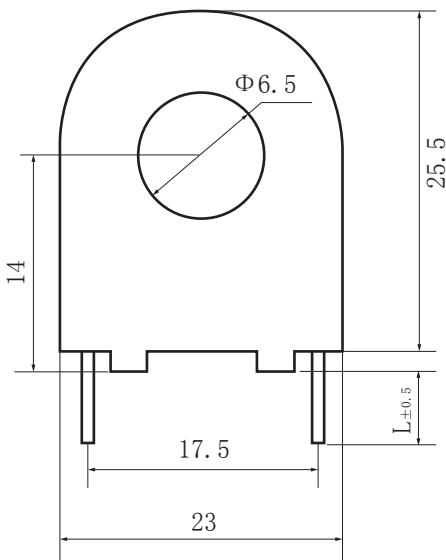
Schematic diagram:



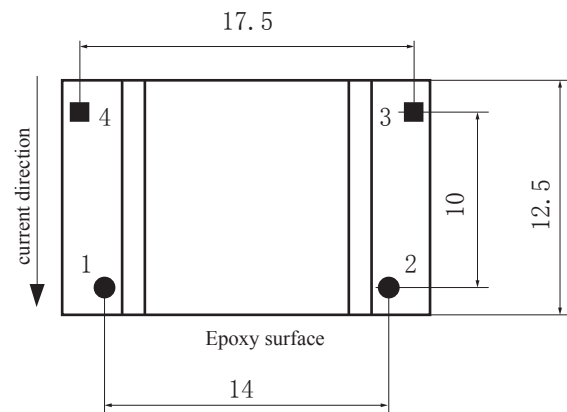
pin 3 and pin 4 are empty
 Current output type
 Secondary is not allowed to open circuit.

Pin	Specification	Needle length L
1, 2	$\Phi 0.82 \pm 0.02$	6 ± 0.5
3, 4	$\square 0.62 \pm 0.02$	6 ± 0.5

Dimensions (in mm ± 0.5):



Front view



(pin 3 and pin 4 are empty)

Bottom view