

# TA8351B Through core type precision current transformer

## Characteristics:

Vacuum epoxy encapsulated, nanocrystalline core, small size, fully enclosed, remote monitoring of electrical load, as the input signal of electronic control system, phase loss indication, electric quantity measurement, motor running state monitoring.

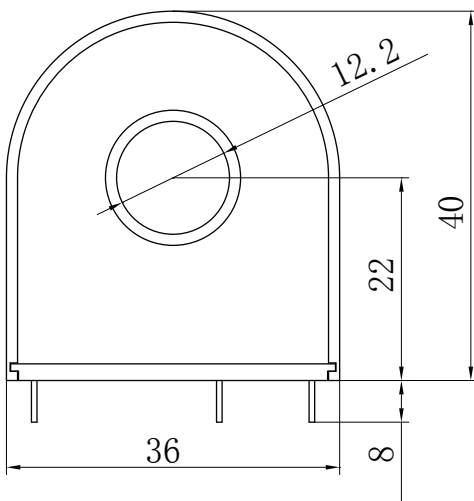
## Technical index:

- Mounting type: PCB
- Material of the core: Nanocrystalline
- Flame resistance: UL94-V0
- Execution standard: GB20840-2014
- Operating temperature:  $-20^{\circ}\text{C} \sim +70^{\circ}\text{C}$
- Storage temperature:  $-30^{\circ}\text{C} \sim +80^{\circ}\text{C}$
- Frequency range: 20Hz-20KHz
- Dielectric strength: 3.5KV 50Hz 1min

**Electrical parameters:** (The following parameters are typical values and actual values will be subject to product testing)

Model	TA8351B-100	TA8351B-200	TA8351B-300	Unit
Rated input	100	100	100	A
Rated output	100	50	33.3	mA
Turns ratio	1: 1000	1: 2000	1: 3000	
Linearity	$\leq 0.1$	$\leq 0.1$	$\leq 0.1$	%
Sampling resistance	10	20	30	$\Omega$
Weight	75	75	75	g

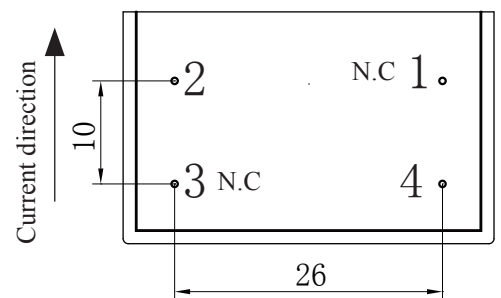
## Dimensions (in $\text{mm} \pm 0.5$ ):



Front view



Side view

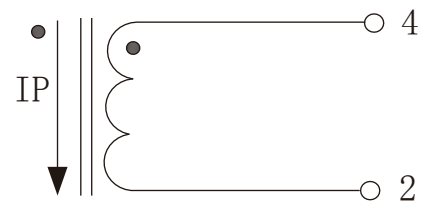


Bottom view

Product picture :(the printed words are for reference only, subject to the actual product)



## Schematic diagram:



Current output type.

Secondary is not allowed to open circuit.