

### Characteristics:

Directly fixed on the copper platoon of 30 x6, fully enclosed, mechanical and environmental with excellent performance, strong capability of voltage isolation, safe and reliable.

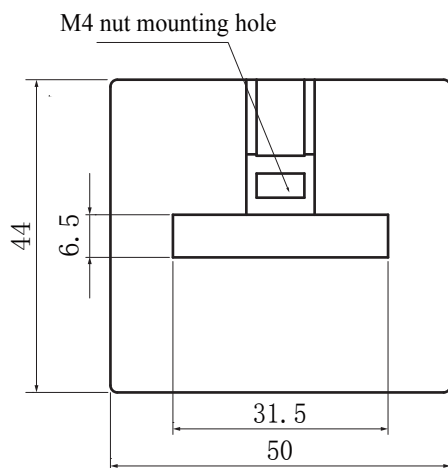
### Technical index:

- Mounting type: Suspended
- Material of the core: Silicon steel sheet
- Flame resistance: UL94-V0
- Execution standard: GB20840-2014
- Operating temperature:  $-20^{\circ}\text{C} \sim +70^{\circ}\text{C}$
- Storage temperature:  $-30^{\circ}\text{C} \sim +80^{\circ}\text{C}$
- Frequency range: 50HZ-60Hz
- Dielectric strength: 6KV 50Hz 1min

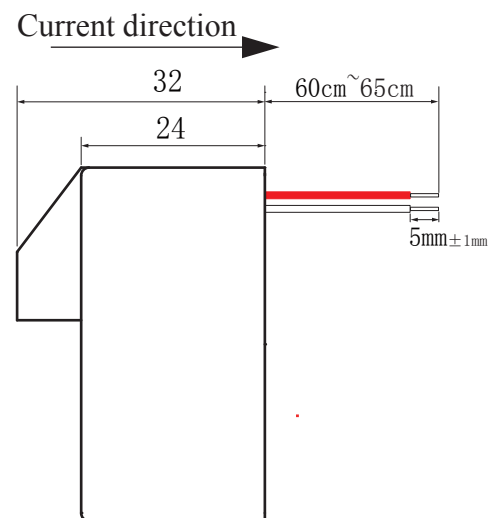
### Electrical parameters:

Model	TA3106L				Unit
Rated input	200	400	400	400	A
Rated output	0.2	0.2	0.133	0.1	A
Turns ratio	1:1000	1:2000	1:3000	1:4000	
Linearity	$\leq 0.5$	$\leq 0.5$	$\leq 0.5$	$\leq 0.5$	%
Sampling resistance	20	40	60	80	$\Omega$
Weight	150	150	150	150	g

### Dimensions (in mm) :

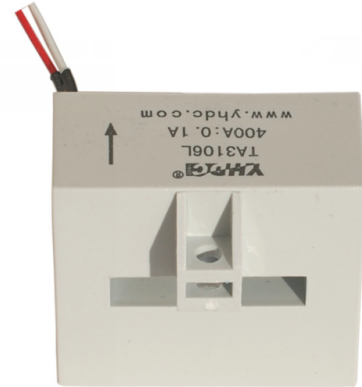


Front view

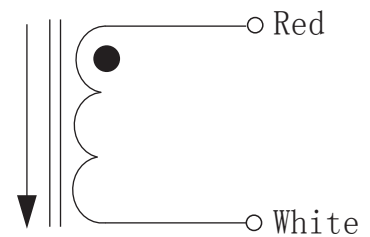


Side view

Product picture :(the printed words are for reference only, subject to the actual product)



### Schematic diagram:



Specifications of lead wire:

0.5mm<sup>2</sup> red and white high-temperature wire,

Length: 60cm~65cm

Color: Red, White