

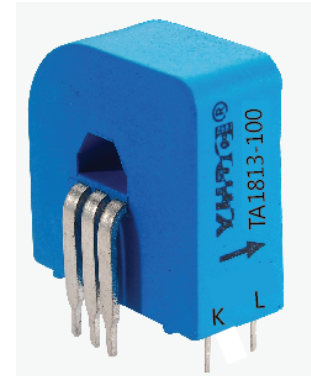
# TA1813 Busbar built-in type precision current transformer



## Characteristics:

Epoxy resin encapsulated, nanocrystalline core, small outline size, fully enclosed, electrical load remote monitoring, as the input signal of electric control system, lack of phase indicating, electrical energy measuring, motor monitoring.

Product picture : (the printed words are for reference only, subject to the actual product)



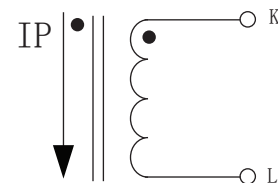
## Technical index:

- Mounting type: PCB
- Material of the core: Nanocrystalline
- Flame resistance: UL94-V0
- Execution standard: GB20840-2014
- Operating temperature:  $-20^{\circ}\text{C} \sim +70^{\circ}\text{C}$
- Storage temperature:  $-30^{\circ}\text{C} \sim +80^{\circ}\text{C}$
- Frequency range: 20Hz-20KHz
- Dielectric strength: 3KV 50Hz 1min(Input/output)

## Electrical parameters: (The following parameters are typical values and actual values will be subject to product testing)

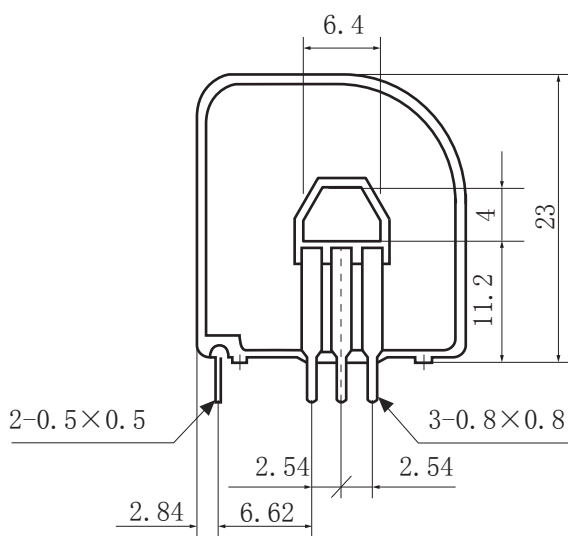
Model	TA1813 -100	TA1813 -150	TA1813 -250	Unit
Rated input	6	15	25	A
Rated output	6	10	10	mA
Turns ratio	1: 1000	1: 1500	1: 2500	
Linearity	$\leq 0.1$	$\leq 0.1$	$\leq 0.1$	%
Sampling resistance	100	200	300	$\Omega$
Weight	11			g

## Schematic diagram:

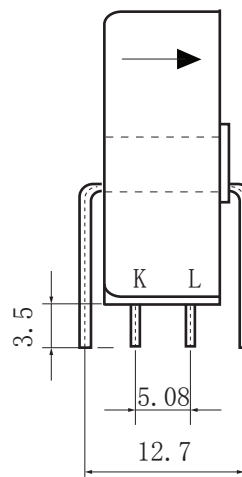


Current output type  
Secondary is not allowed to open circuit.

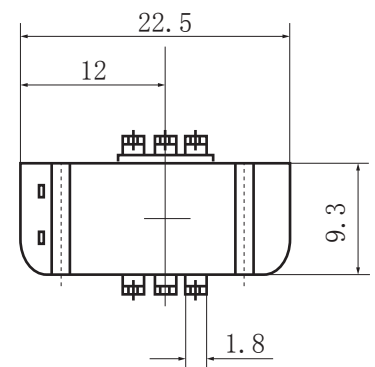
## Dimensions (in mm $\pm 0.5$ ) :



Front view



Side view



Bottom view