

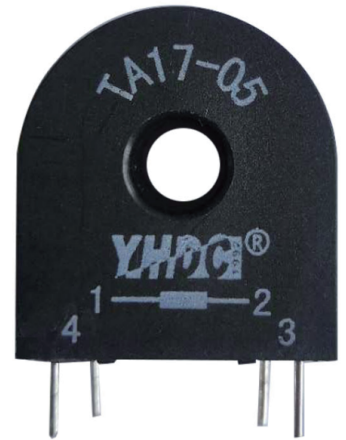
Characteristics:

Epoxy resin encapsulated, nanocrystalline core, small outline size, fully enclosed, electrical load remote monitoring, as the input signal of electric control system, lack of phase indicating, electrical energy measuring, motor monitoring.

Technical index:

Mounting type: PCB
 Material of the core: Nanocrystalline
 Flame resistance: UL94-V0
 Execution standard: GB20840-2014
 Operating temperature: $-20^{\circ}\text{C} \sim +70^{\circ}\text{C}$
 Storage temperature: $-30^{\circ}\text{C} \sim +80^{\circ}\text{C}$
 Frequency range: 20Hz-20KHz
 Dielectric strength: 3.5KV 50Hz 1min

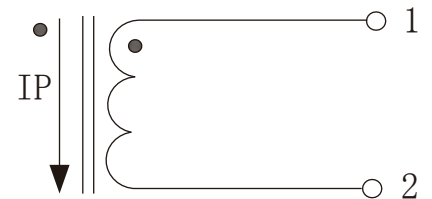
Product picture : (the printed words are for reference only, subject to the actual product)



Electrical parameters : (The following parameters are typical values and actual values will be subject to product testing)

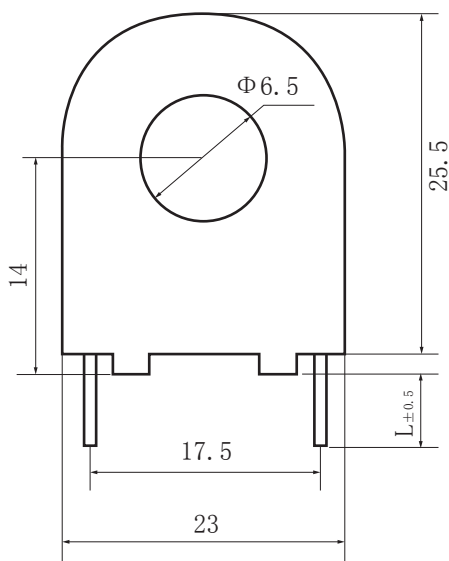
Model	TA17-03	TA17-04	TA17-05	Unit
Rated input	10	20	30	A
Rated output	10	10	10	mA
Turns ratio	1: 1000	1: 2000	1: 3000	
Linearity	≤ 0.2	≤ 0.2	≤ 0.2	%
Sampling resistance	50	300	450	Ω
Weight	16	16	16	g

Schematic diagram:



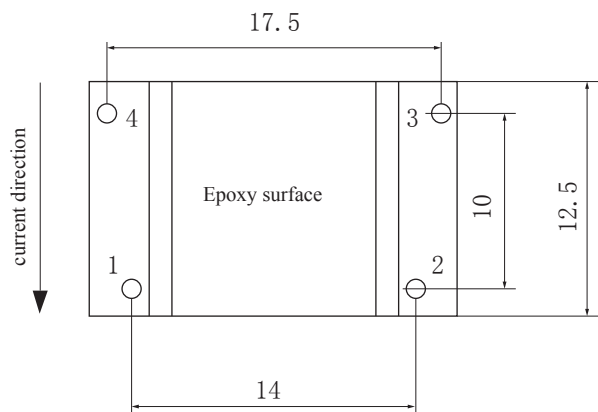
Current output type
 Secondary is not allowed to open circuit.

Dimensions (in mm ± 0.5) :



Front view

Pin	Specification	Needle length L
1, 2	$\Phi 0.82 \pm 0.02$	6 ± 0.5
3, 4	$\square 0.62 \pm 0.02$	6 ± 0.5



(pin 3 and pin 4 are empty.)

Bottom view